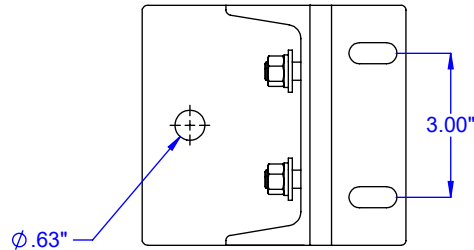
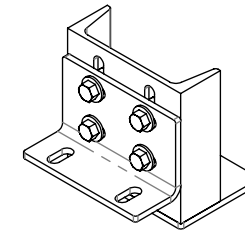
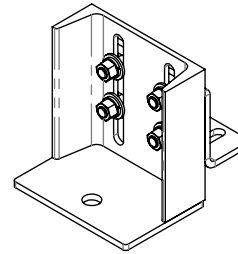


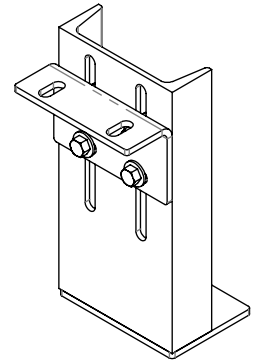
TOP VIEW  
CONDITION "A"



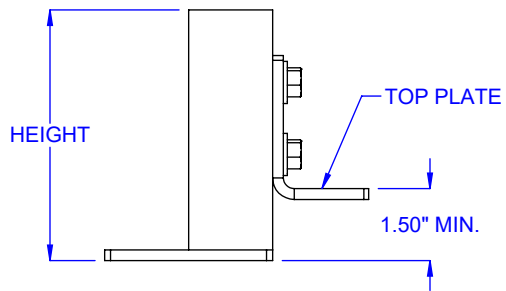
TOP VIEW  
CONDITION "B"



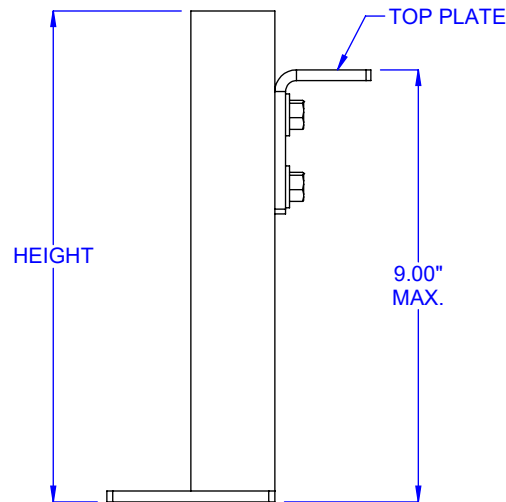
CONDITION "A"



CONDITION "B"



FRONT VIEW  
CONDITION "A"



FRONT VIEW  
CONDITION "B"

HEIGHT RANGE			
HEIGHT	CONDITION	MIN.	MAX.
5.25"	CONDITION "A"	1.50"	2.00"
6.25"	CONDITION "A"	2.00"	3.00"
7.25"	CONDITION "A"	3.00"	4.00"
7.25"	CONDITION "B"	4.00"	7.00"
10.25"	CONDITION "B"	7.00"	9.00"

**CONSTRUCTION:** C5x6.7# Structural Channel with 4 ga. Top & Bottom Plate

**LOAD CAPACITY:** UP TO 1500 LBS. MAXIMUM LOAD PER SUPPORT

MODEL: SPSL5

DESCRIPTION: SUPPORT, 5" STRUCTURAL LOW ELEVATION

LEWCO, INC. IS COMMITTED TO CONTINUOUS IMPROVEMENT AND RESERVES THE RIGHT TO CHANGE DESIGNS AND SPECIFICATIONS WITHOUT NOTICE.

THIS DRAWING MUST NOT BE COPIED, REPRODUCED OR USED FOR ANY PURPOSE WITHOUT THE WRITTEN CONSENT OF LEWCO, INC. ALL RIGHTS RESERVED.



706 LANE ST. SANDUSKY, OH 44870, U.S.A.