

LOAD CAPACITY : 1500 LBS. MAXIMUM LOAD

MODEL: PD-F-180-40-96-Q2-MSCC-2-36-120

DESCRIPTION: PALLET DISPENSER w/ MULTI-STRAND CHAIN CONVEYOR

PAGE: 1 of 2

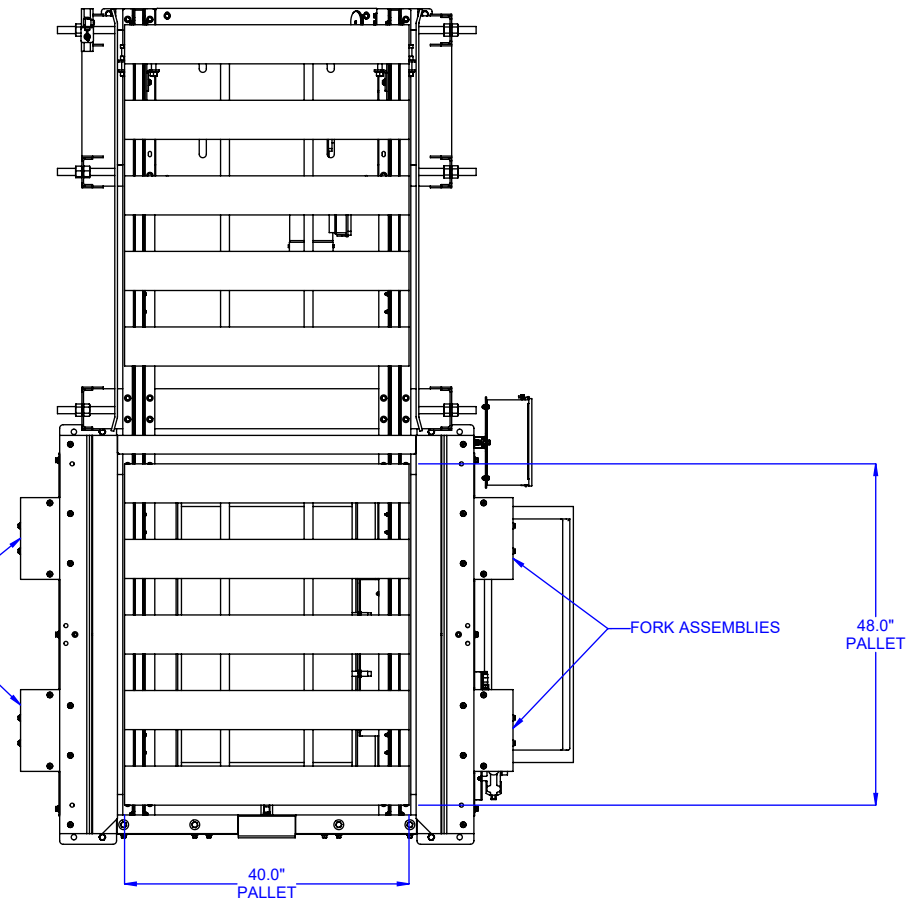
LEWCO, INC. IS COMMITTED TO CONTINUOUS IMPROVEMENT AND RESERVES THE RIGHT TO CHANGE DESIGNS AND SPECIFICATIONS WITHOUT NOTICE.

THIS DRAWING MUST NOT BE COPIED, REPRODUCED OR USED FOR ANY PURPOSE WITHOUT THE WRITTEN CONSENT OF LEWCO, INC. ALL RIGHTS RESERVED.



706 LANE ST. SANDUSKY, OH 44870, U.S.A.

12 O' CLOCK POSITION



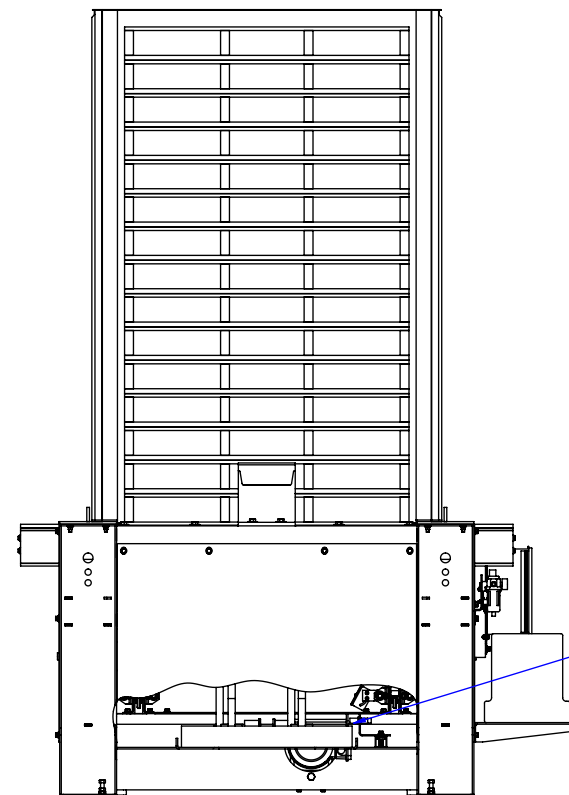
FORK ASSEMBLIES

FORK ASSEMBLIES

48.0" PALLET

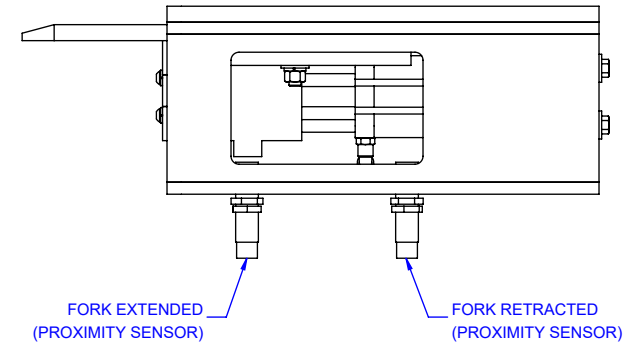
40.0" PALLET

6 O' CLOCK POSITION



- (4) PROXIMITY SENSORS TO DETECT
1. LIFT FULLY LOWERED (HOME POSITION)
 2. DISPENSE 1 LOCATION
 3. DISPENSE 2 LOCATION
 4. LIFT FULLY RAISED (OVER TRAVEL LIMIT)

(4) TOTAL FORK ASSEMBLIES



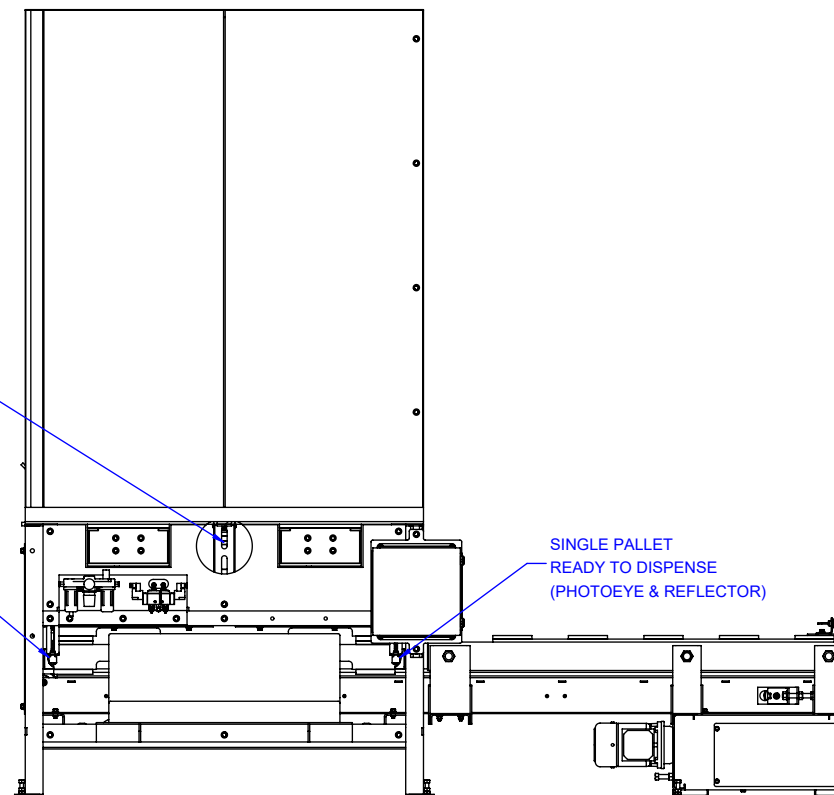
FORK EXTENDED (PROXIMITY SENSOR)

FORK RETRACTED (PROXIMITY SENSOR)

PALLET STACK
EMPTY/REPLENISHED
CONTINUOUS RUN OPERATION
(PHOTOEYE & REFLECTOR)
(BROKEN-OUT SECTION FOR CLARITY)

STACK OF PALLETS
READY TO LOAD
(PHOTOEYE & REFLECTOR)

SINGLE PALLET
READY TO DISPENSE
(PHOTOEYE & REFLECTOR)



MODEL: PD-F-180-40-96-Q2-MSCC-2-36-120

DESCRIPTION: PALLET DISPENSER w/ MULTI-STRAND CHAIN CONVEYOR

LEWCO, INC. IS COMMITTED TO CONTINUOUS IMPROVEMENT AND RESERVES THE RIGHT TO CHANGE DESIGNS AND SPECIFICATIONS WITHOUT NOTICE.

THIS DRAWING MUST NOT BE COPIED, REPRODUCED OR USED FOR ANY PURPOSE WITHOUT THE WRITTEN CONSENT OF LEWCO, INC. ALL RIGHTS RESERVED.