

LOAD CAPACITY : 1500 LBS. MAXIMUM LOAD

MODEL: PD-F-90R-48-96-Q1-MSCC-2-36-120

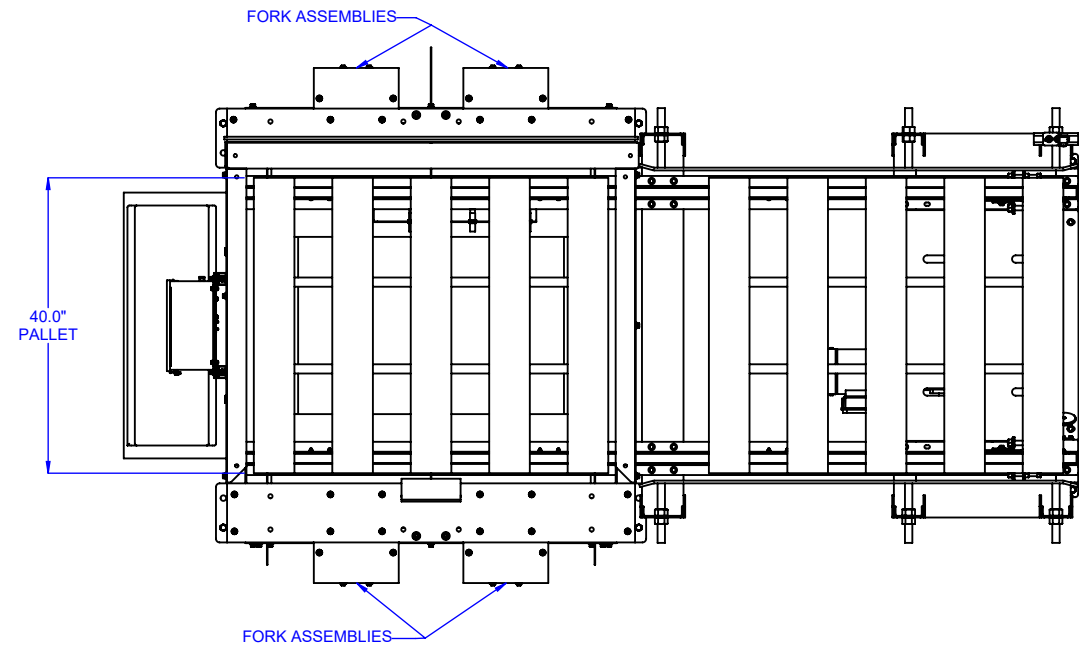
DESCRIPTION: PALLET DISPENSER w/ MULTI-STRAND CHAIN CONVEYOR

PAGE: 1 of 2

LEWCO, INC. IS COMMITTED TO CONTINUOUS IMPROVEMENT AND RESERVES THE RIGHT TO CHANGE DESIGNS AND SPECIFICATIONS WITHOUT NOTICE.

THIS DRAWING MUST NOT BE COPIED, REPRODUCED OR USED FOR ANY PURPOSE WITHOUT THE WRITTEN CONSENT OF LEWCO, INC. ALL RIGHTS RESERVED.

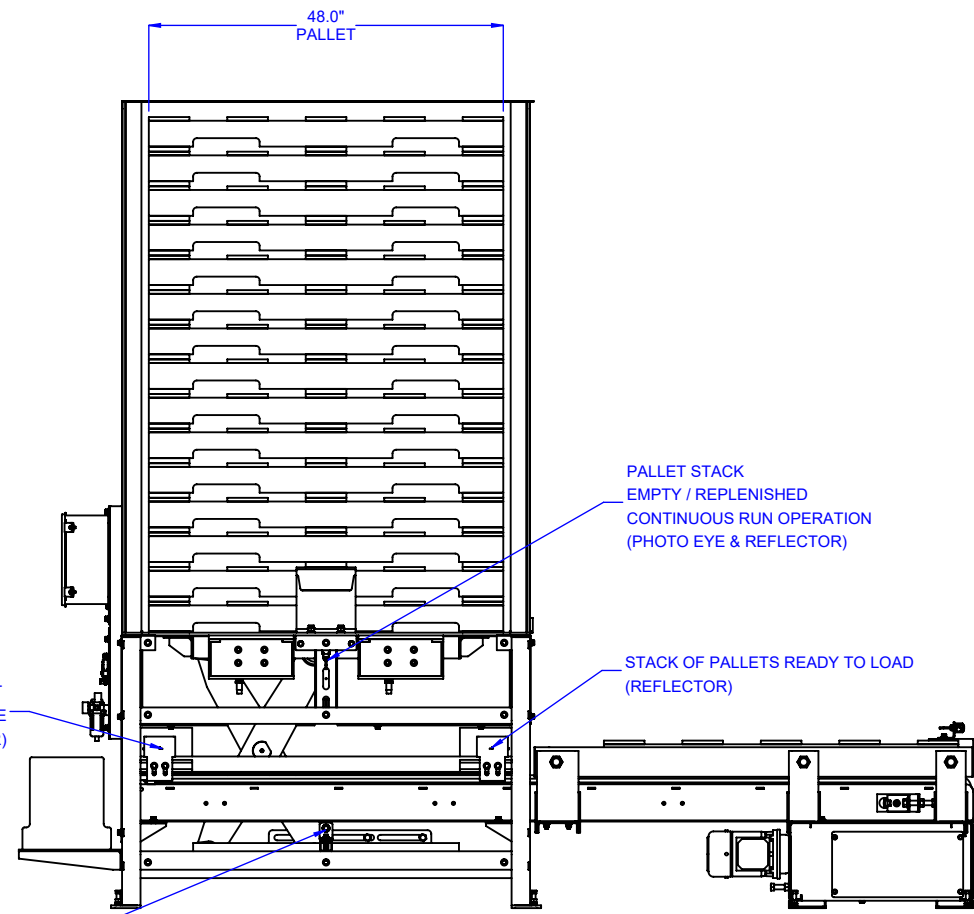
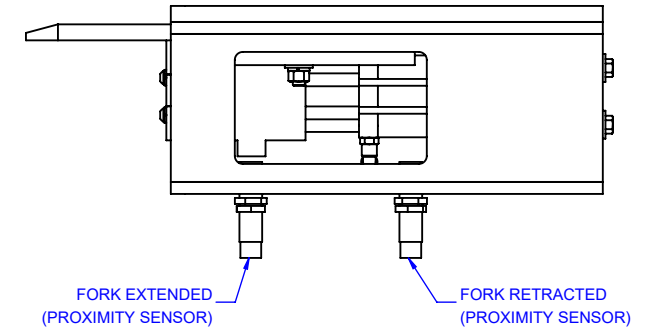
LEWCO
706 LANE ST. SANDUSKY, OH 44870, U.S.A.



3 O' CLOCK POSITION

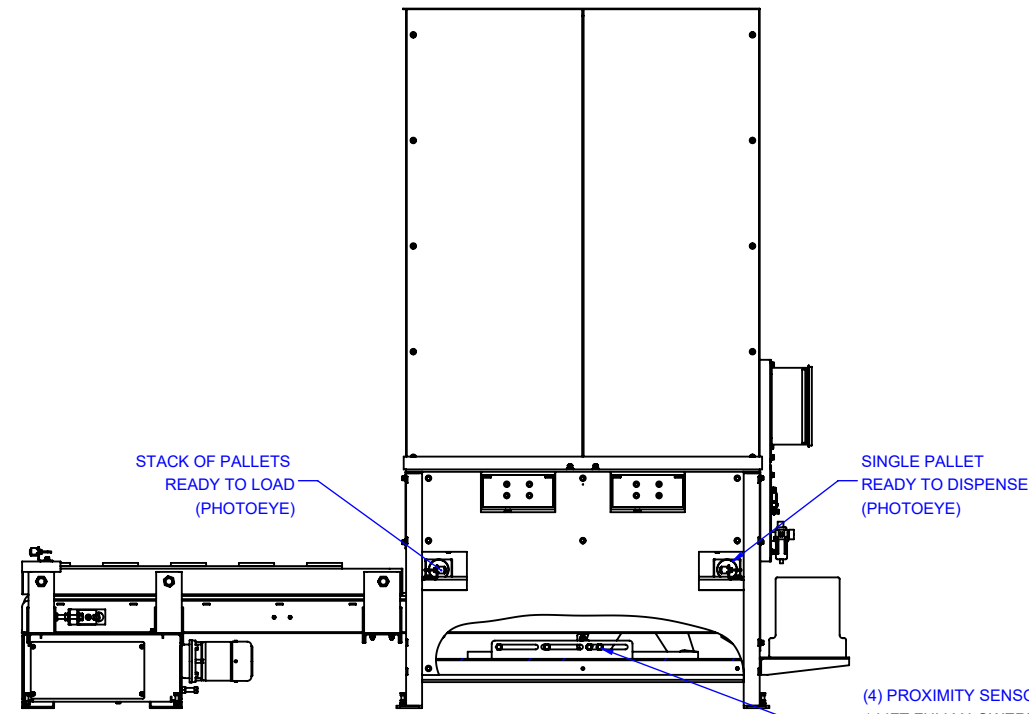
6 O' CLOCK POSITION

(4) TOTAL FORK ASSEMBLIES



ULTRASONIC SENSOR FOR FORKTRUCK DETECTION

COVER NOT SHOWN FOR CLARITY



BACK VIEW

MODEL: PD-F-90R-48-96-Q1-MSCC-2-36-120

DESCRIPTION: PALLET DISPENSER w/ MULTI-STRAND CHAIN CONVEYOR

PAGE: 2 of 2

LEWCO, INC. IS COMMITTED TO CONTINUOUS IMPROVEMENT AND RESERVES THE RIGHT TO CHANGE DESIGNS AND SPECIFICATIONS WITHOUT NOTICE.

THIS DRAWING MUST NOT BE COPIED, REPRODUCED OR USED FOR ANY PURPOSE WITHOUT THE WRITTEN CONSENT OF LEWCO, INC. ALL RIGHTS RESERVED.

LEWCO
706 LANE ST. SANDUSKY, OH 44870, U.S.A.