

LOAD CAPACITY : 1500 LBS. MAXIMUM LOAD

MODEL: PD-F-90L-48-96-Q1-MSCC-2-36-120

DESCRIPTION: PALLET DISPENSER w/ MULTI-STRAND CHAIN CONVEYOR

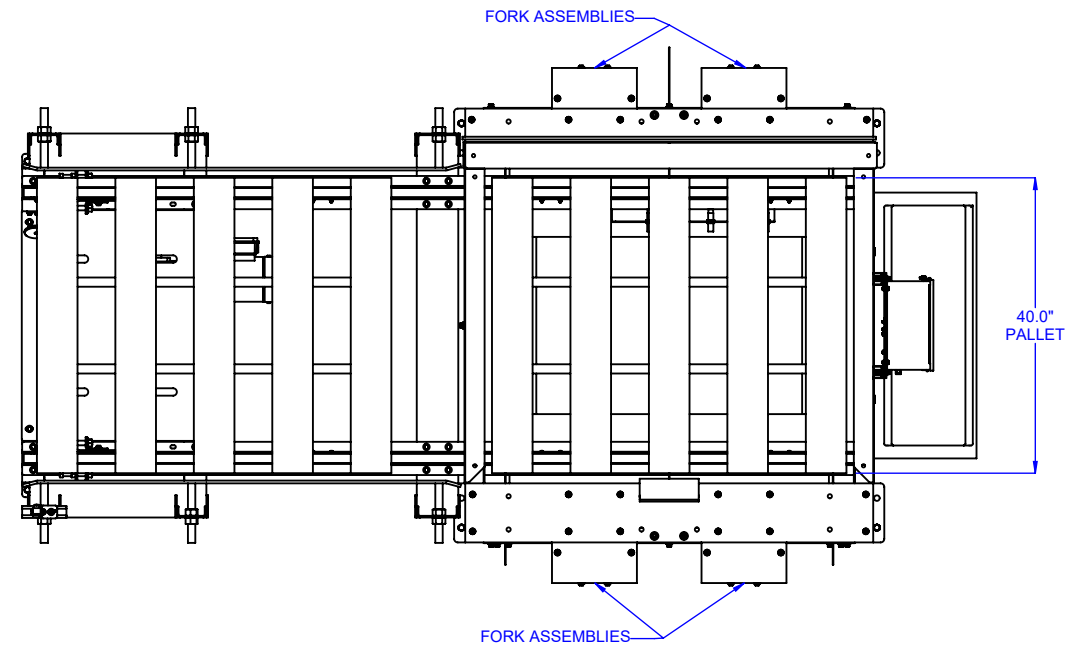
LEWCO, INC. IS COMMITTED TO CONTINUOUS IMPROVEMENT AND RESERVES THE RIGHT TO CHANGE DESIGNS AND SPECIFICATIONS WITHOUT NOTICE.

THIS DRAWING MUST NOT BE COPIED, REPRODUCED OR USED FOR ANY PURPOSE WITHOUT THE WRITTEN CONSENT OF LEWCO, INC. ALL RIGHTS RESERVED.

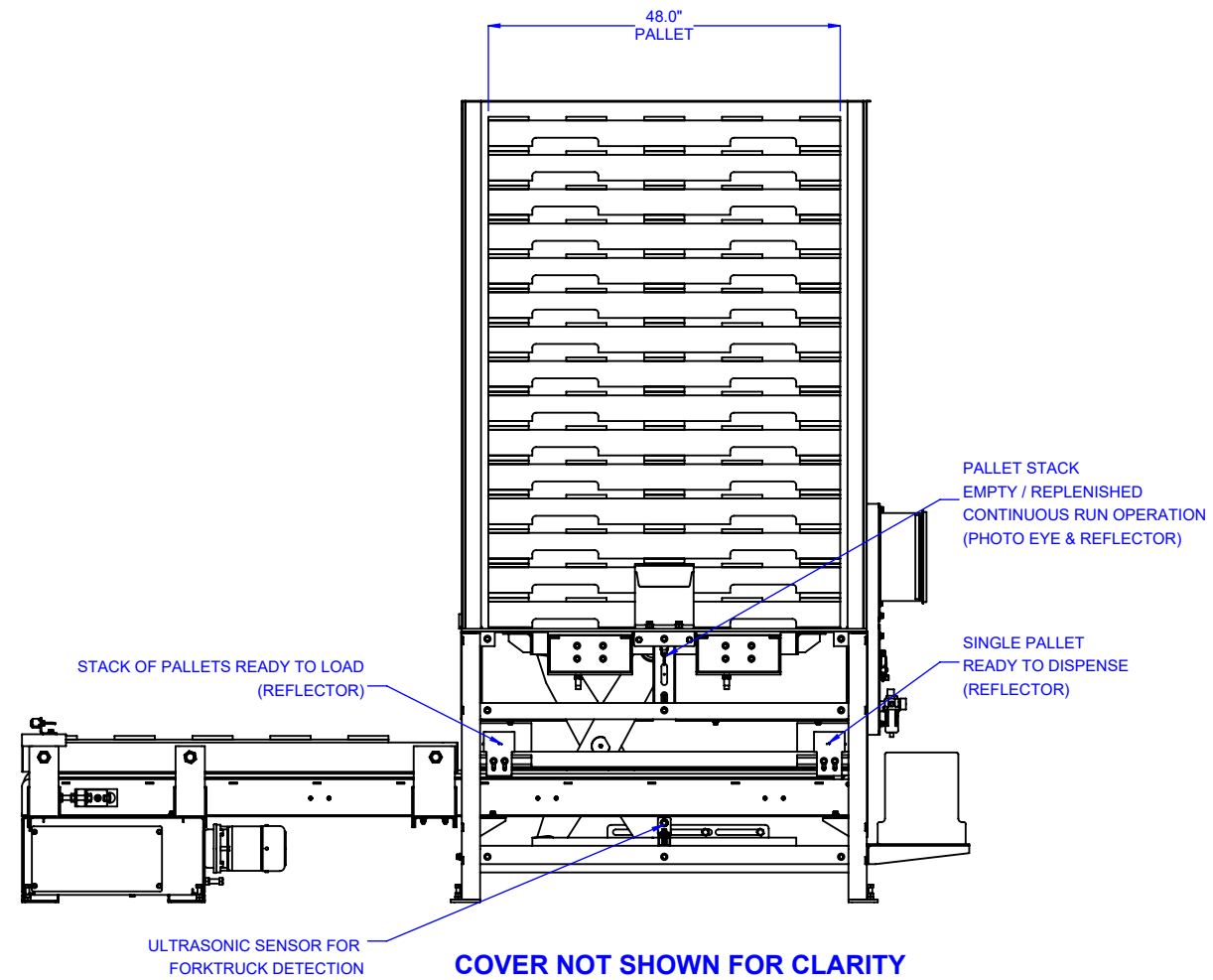


706 LANE ST. SANDUSKY, OH 44870, U.S.A.

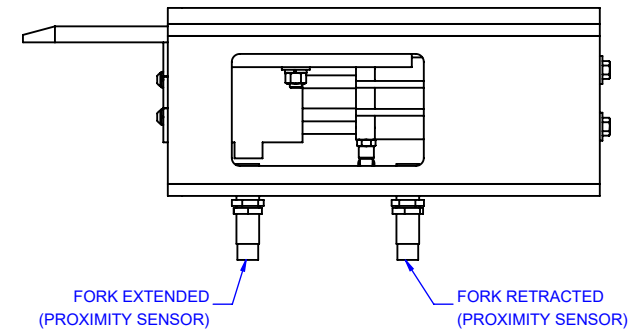
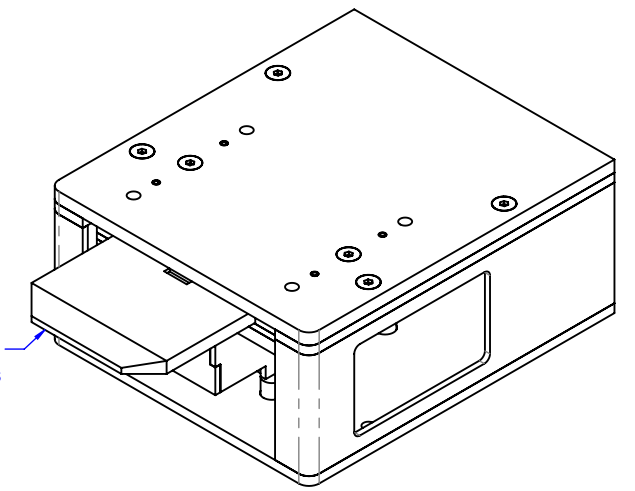
9 O' CLOCK POSITION



6 O' CLOCK POSITION



(4) TOTAL FORK ASSEMBLIES



SINGLE PALLET READY TO DISPENSE (PHOTOEYE)

STACK OF PALLETS READY TO LOAD (PHOTOEYE)

- (4) PROXIMITY SENSORS TO DETECT:
- 1. LIFT FULLY LOWERED (HOME POSITION)
- 2. DISPENSE 1 LOCATION
- 3. DISPENSE 2 LOCATION
- 4. LIFT FULLY RAISED (OVER TRAVEL LIMIT)

BACK VIEW

MODEL: PD-F-90L-48-96-Q1-MSCC-2-36-120

DESCRIPTION: PALLET DISPENSER w/ MULTI-STRAND CHAIN CONVEYOR

LEWCO, INC. IS COMMITTED TO CONTINUOUS IMPROVEMENT AND RESERVES THE RIGHT TO CHANGE DESIGNS AND SPECIFICATIONS WITHOUT NOTICE.

THIS DRAWING MUST NOT BE COPIED, REPRODUCED OR USED FOR ANY PURPOSE WITHOUT THE WRITTEN CONSENT OF LEWCO, INC. ALL RIGHTS RESERVED.