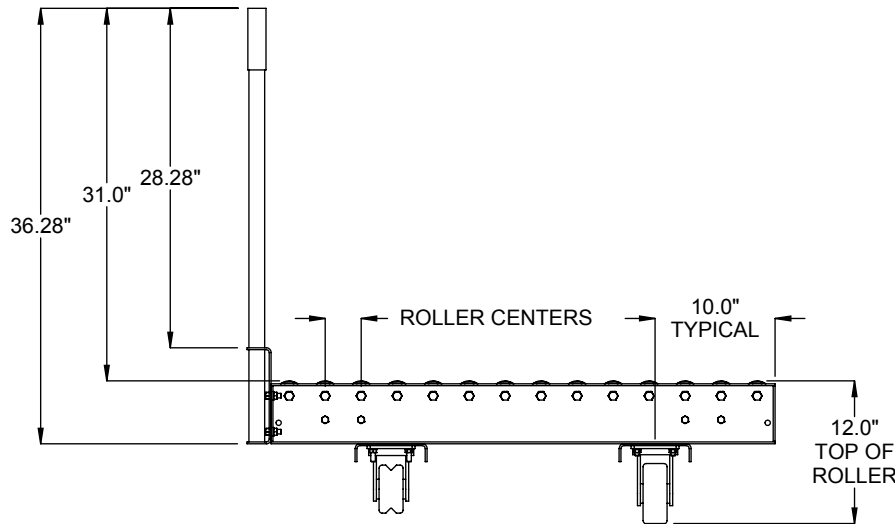
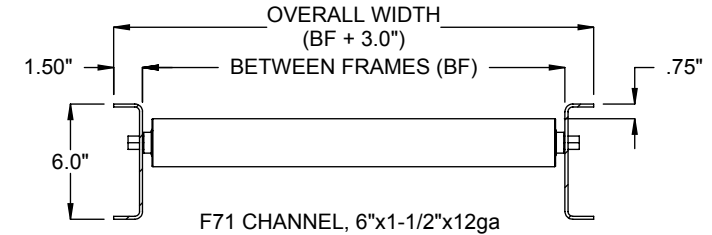


**FRAME OPTIONS:**



**SPECIFICATIONS**

**BETWEEN FRAMES:** 15" - 61"

**LENGTH:** 36" - 120"

**ROLLER CENTERS:** 3", 4", 6", 9", 12"

**ROLLERS:** 2.5" dia., 11ga wall tubes with 11/16" hex cold rolled steel axle, spring retained. Standard A6204 bearings are light oil lubricated. Optional bearings include combinations of precision, semi-precision and non-precision construction with light oil or grease packed lubrication. 750 lbs roller capacity.

**FRAMES:** Standard F70 set high 5" x 1-1/2" x 12ga formed steel channel with bolted 1-1/8" x 1/8" angle crossties. Optional F71 set low 6" x 1-1/2" x 12ga.

**ROLL COVERS:** Standard carbon steel. Optional roll covers includes Orange Polyurethane, 1/8" wall or galvanized tube.

**CASTERS:** 4" cast iron V-groove and 5" phenolic.

**HANDLE:** 1" pipe with hand grip.

**END STOP:** Fixed style, near handle.

**FRAME FINISH:** Standard finish is OSHA safety blue powder. Optional colors include green, beige, gray, orange, black and yellow.

**Model:** TC2511 - Transfer Conveyor, 2.5 diameter

REV

1

