

SLAT CONVEYOR RFQ

Please download this editable PDF to your computer. Once you have filled out all the fields, save your work and send it to conveyorsales@lewcoinc.com.

*Indicates answer required.

INTRODUCTION

Company Name:	Who Are You?		
Contact Name:			
Company Street Address:	Address 2:		
City:	State / Province:		
Zip Code:	Country:		
Phone Number:	Email Address:		
Project Reference:	Pricing Requirement:	Budget	Firm
Quote Due Date:	Project Order Time Frame:		

APPLICATION INFORMATION

*What is the product being conveyed?

Describe the products' bottom surface that will be in contact with conveyor. For example, is it a flat even surface?

Can you provide a picture of the bottom of the pallet, bin, or product?

Yes No

*Product Width:	Inches	
*Product Length:	Inches	
*Product Height:	Inches	
*Product Maximum Unit Weight:		LBS.
*Maximum Total Weight on Conveyor:		LBS.
Product Temperature:	°F.	



APPLICATION INFORMATION

Rate of product per hour:

How is the conveyor loaded? Conveyor Fork Truck Robot Crane Other:

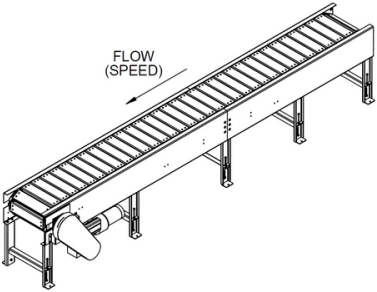
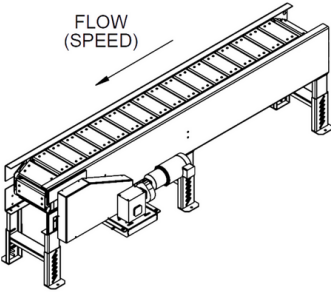
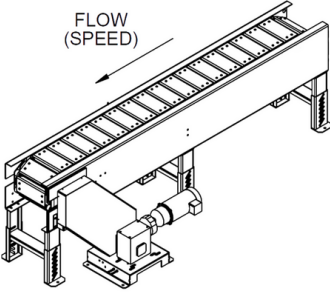
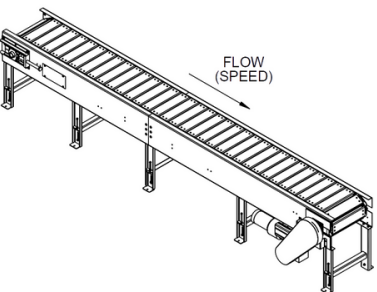
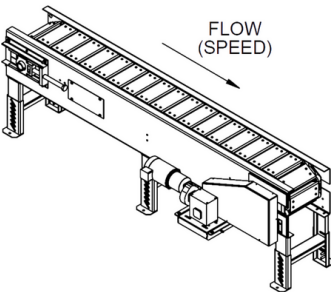
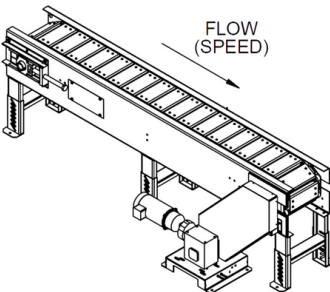
How is the conveyor unloaded? Conveyor Fork Truck Robot Crane Other:

Harsh environmental factors to consider:

Temp. above 100°F. Excessive Particulate Abrasive Material Oil Outdoor
 Temp. below 35°F. Moisture/ Humidity Other:

CONVEYOR DESIGN & CONSTRUCTION

Effective Width of Conveyor: Inches Conveyor Length: Inches
 Conveying Height: Inches Conveyor Speed: Feet per Minute (FPM)
 Motor Horsepower: Motor Voltage:
 Drive Location:





 <p>End Drive Left Hand Side</p>	 <p>Side Drive Left Hand Side</p>	 <p>Floor Drive Left Hand Side</p>
 <p>End Drive Right Hand Side</p>	 <p>Side Drive Right Hand Side</p>	 <p>Floor Drive Right Hand Side</p>
<p>No Preference</p>		<p>Other:</p>

CONVEYOR DESIGN & CONSTRUCTION

Slat Material Thickness:

Do you need slats counter sunk for fixtures? Yes No Unsure

Conveyor Color:

				
Traffic Blue, RAL 5017	Light Gray, RAL 7035	Repose Gray, not a RAL	Patina Green, RAL 6000	Signal White, RAL 9003
				
Jet Black, RAL 9005	Flat Black, not a RAL	Bright Red Orange, RAL 2008	Traffic Yellow, RAL 1023	

Do you need any optional equipment?

Emergency Stop Button(s)	Photo Eye Sensor(s)	Guardrail, Height:	Inches
Emergency Stop Pull Cord	At-Motor Disconnect Switch	Other:	

CONTROLS

Does LEWCO need to provide drive motor controls? Yes No

Does the conveyor need to reverse? Yes No

Is speed variable? Yes No

What is the supply voltage/phase/hertz required?

ADDITIONAL INFORMATION

If this is a system, can you provide a layout drawing or sketches? Yes No

Additional details: