

BELT DRIVEN LIVE ROLLER (BDLR) CONVEYOR RFQ

Please download this editable PDF to your computer. Once you have filled out all the fields, save your work and send it to conveyorsales@lewcoinc.com.

*Indicates answer required.

INTRODUCTION

Company Name:	Who Are You?		
Contact Name:			
Company Street Address:	Address 2:		
City:	State / Province:		
Zip Code:	Country:		
Phone Number:	Email Address:		
Project Reference:	Pricing Requirement:	Budget	Firm
Quote Due Date:	Project Order Time Frame:		

APPLICATION INFORMATION

*What is the product being conveyed?

Describe the products' bottom surface that will be in contact with conveyor. For example, is it a flat even surface?

Can you provide a picture of the bottom of the pallet, bin, or product? Yes No

*Product Width:	Inches	
*Product Length:	Inches	
*Product Height:	Inches	
*Product Maximum Unit Weight:	LBS.	
*Maximum Total Weight on Conveyor:	LBS.	
Product Temperature:	°F.	
Accumulation:	Yes	No
		Unsure



BELT DRIVEN LIVE ROLLER (BDLR) CONVEYOR RFQ

APPLICATION INFORMATION

What is the rate of product per hour?

How is the conveyor loaded? Conveyor Fork Truck Robot By Hand Other:

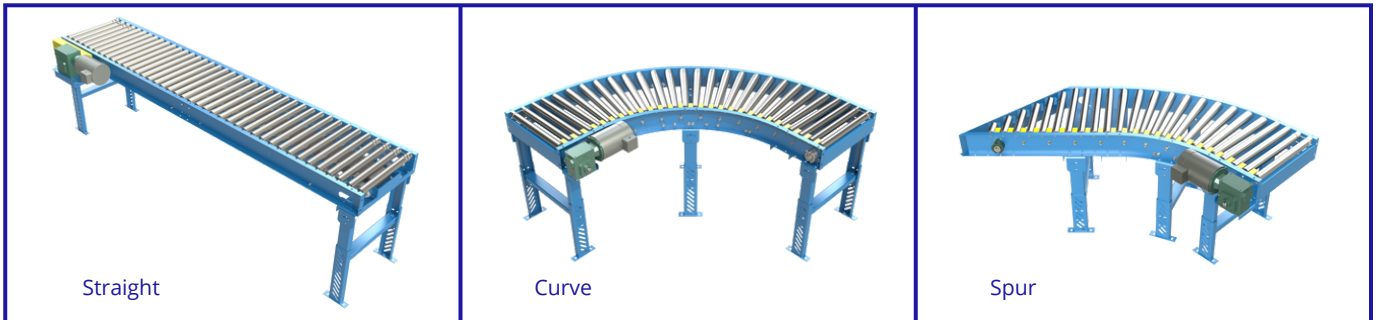
How is the conveyor unloaded? Conveyor Fork Truck Robot By Hand Other:

Harsh environmental factors to consider:

Temp. above 100°F. Excessive Particulate Abrasive Material Oil Outdoor
 Temp. below 35°F. Moisture/ Humidity Other:

CONVEYOR DESIGN & CONSTRUCTION

Belt Conveyor Type:



If the Conveyor Type is Curve or Spur, select the Curve Degree required:

Roller Size:

Roller Spacing:

Roller Tube Material or Cover:

Effective Width of Conveyor:

Inches

Conveyor Length:

Inches

Top of Roller Height:

Inches

Conveyor Speed:

Feet per Minute (FPM)

Motor Horsepower:

Motor Voltage:

Conveyor Color:



Traffic Blue, RAL 5017



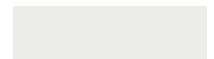
Light Gray, RAL 7035



Repose Gray, not a RAL



Patina Green, RAL 6000



Signal White, RAL 9003



Jet Black, RAL 9005



Flat Black, not a RAL



Bright Red Orange, RAL 2008



Traffic Yellow, RAL 1023

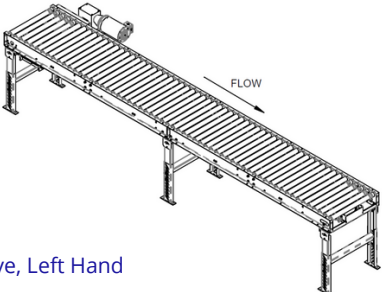
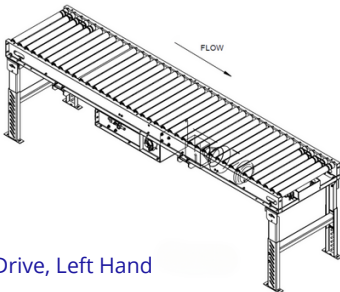
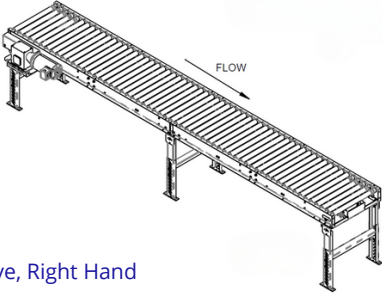
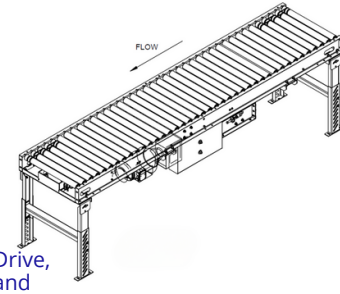
BELT DRIVEN LIVE ROLLER (BDLR) CONVEYOR RFQ

CONVEYOR DESIGN & CONSTRUCTION

Do you need any optional equipment?

Emergency Stop Button(s)	Photo Eye Sensor(s)	Guardrail, Height:	Inches
Emergency Stop Pull Cord	End Stop(s)	Other:	
At-Motor Disconnect Switch	Pop-Up Stop(s)		

Drive Location:

 <p>End Drive, Left Hand</p>	 <p>Center Drive, Left Hand</p>
 <p>End Drive, Right Hand</p>	 <p>Center Drive, Right Hand</p>
<p>No Preference</p>	<p>Other:</p>

CONTROLS

Does LEWCO need to provide drive motor controls?	Yes	No	Is speed variable?	Yes	No
Will the conveyor go in reverse?	Yes	No	Supply voltage/phase/hertz required:		

ADDITIONAL INFORMATION

If this is a system, can you provide a layout drawing or sketches? Yes No

Additional details: