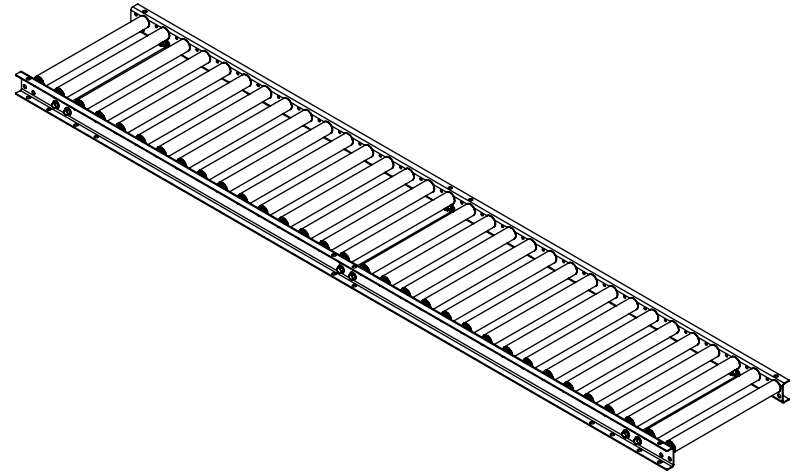
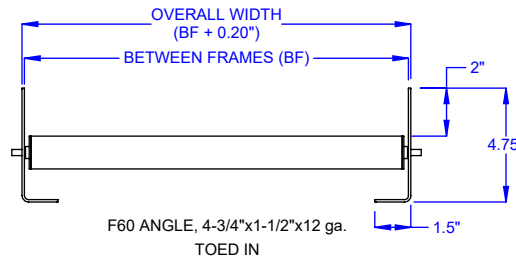
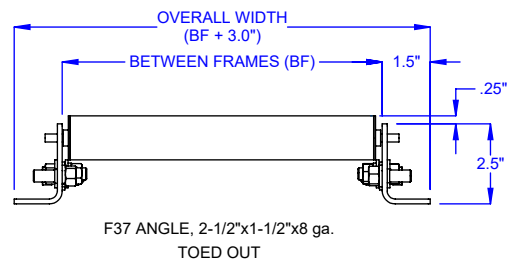
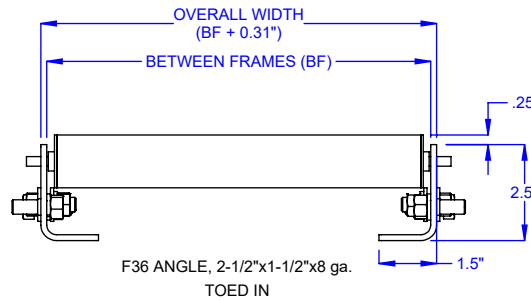
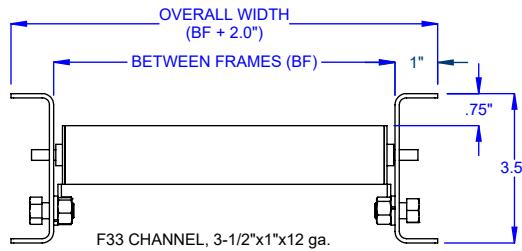


SECTION A-A
F98 CHANNEL, 2-1/2"x1"x12 ga.



FRAME OPTIONS:



SPECIFICATIONS	
BETWEEN FRAMES: 6" - 22"	LENGTH: 18" - 120"
ROLLER CENTERS: 1.5", 3", 4.5", 6", 9", 12"	
ROLLERS: 1.375" dia., 18 ga wall galvanized tubes with 1/4" roud cold rolled steel axles, spring retained. <u>Standard</u> A02 bearings are light oil lubricated. 50 lbs. roller capacity. <u>Optional</u> A5687 bearings have a 5/16" hex axle and are non-precision oil lubricated. 47 lbs. roller capacity.	
FRAMES: Standard F98 set high 2-1/2" x 1" x 12ga formed steel channel with bolted 1-1/8" x 1/8" angle crossties.	
ROLLER SURFACE: <u>Standard</u> galvanized tube. <u>Optional</u> roll covers includes Orange Polyurethane, 1/8" wall.	
COUPLINGS: 3/8" diameter rod on one end, mating hooks on opposite end. <u>Optional</u> coupling is strapm butt coupler, or no couplings.	
FINISH: Powder coated blue (RAL 5017). Other options available.	

ALL PRODUCT, PRODUCT SPECIFICATIONS AND DATA ARE SUBJECT TO CHANGE WITHOUT NOTICE TO IMPROVE RELIABILITY, FUNCTION OR DESIGN OR OTHERWISE

MODEL: 1418

DESCRIPTION: GRAVITY ROLLER CONVEYOR, 1.375 DIA. X 18 GA. WALL

LEWCO, INC. IS COMMITTED TO CONTINUOUS IMPROVEMENT AND RESERVES THE RIGHT TO CHANGE DESIGNS AND SPECIFICATIONS WITHOUT NOTICE.

THIS DRAWING MUST NOT BE COPIED, REPRODUCED OR USED FOR ANY PURPOSE WITHOUT THE WRITTEN CONSENT OF LEWCO, INC. ALL RIGHTS RESERVED.



706 LANE ST. SANDUSKY, OH 44870, U.S.A.