

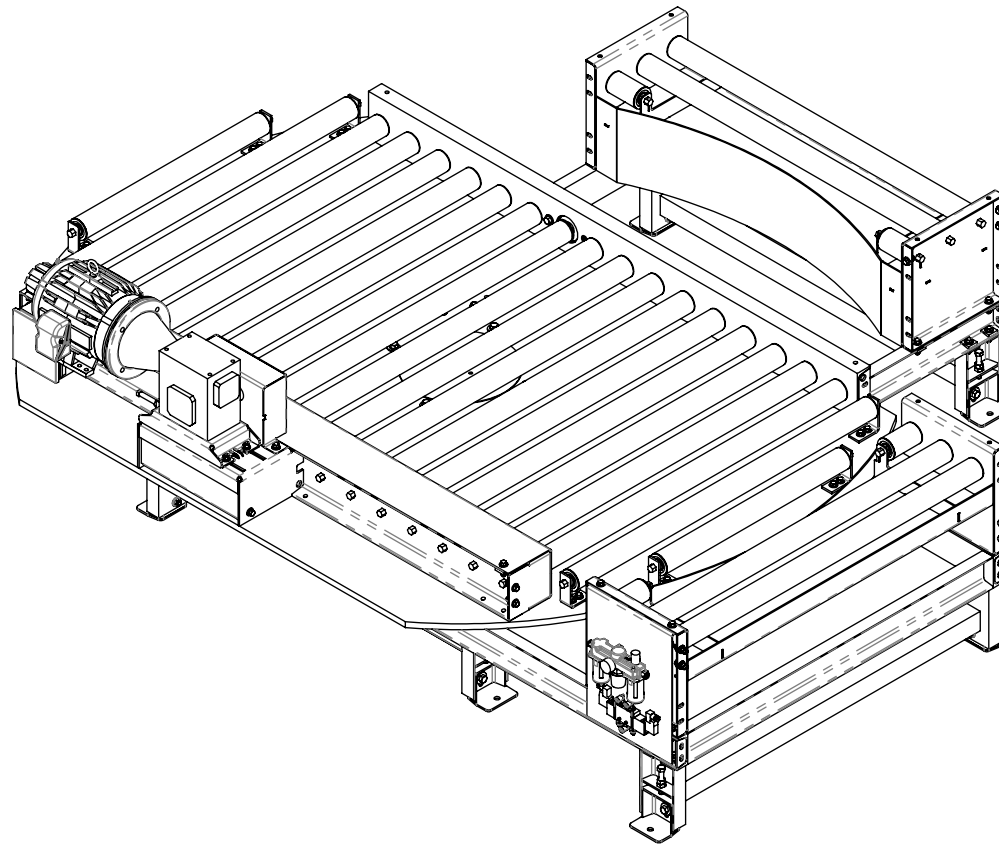
EFFECTIVE WIDTH	MAXIMUM LOAD LENGTH	DIAMETER
24"	27"	43"
30"	32"	52"
36"	36"	61"
42"	45"	70"
48"	50"	79"
51"	54"	84"
54"	54"	84"
60"	63"	97"

Turntable Capacity: 4000 LBS - Not to exceed CDLR capacity.

MODEL: PP90C25
DESCRIPTION: PP90 TURNTABLE WITH CDLR25

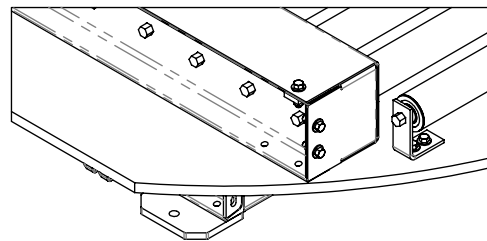
LEWCO, INC. IS COMMITTED TO CONTINUOUS IMPROVEMENT AND RESERVES THE RIGHT TO CHANGE DESIGNS AND SPECIFICATIONS WITHOUT NOTICE.
 THIS DRAWING MUST NOT BE COPIED, REPRODUCED OR USED FOR ANY PURPOSE WITHOUT THE WRITTEN CONSENT OF LEWCO, INC. ALL RIGHTS RESERVED.



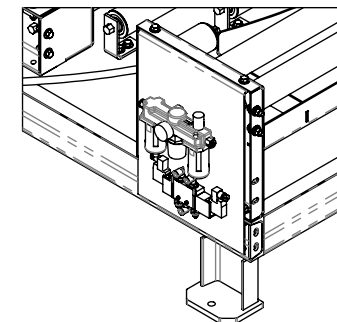


STRUCTURAL CHANNEL
 JACK-BOLT SUPPORTS FOR
 ELEVATION 21.5" AND TALLER

STANDARD SUPPORTS



FLOOR PADS FOR
 LOW ELEVATIONS



STRUCTURAL CHANNEL WELDED RISERS
 FOR ELEVATION UP TO 21.5"
 (JACK-BOLT SUPPORTS FOR TALLER ELEVATIONS)

MODEL: PP90C25

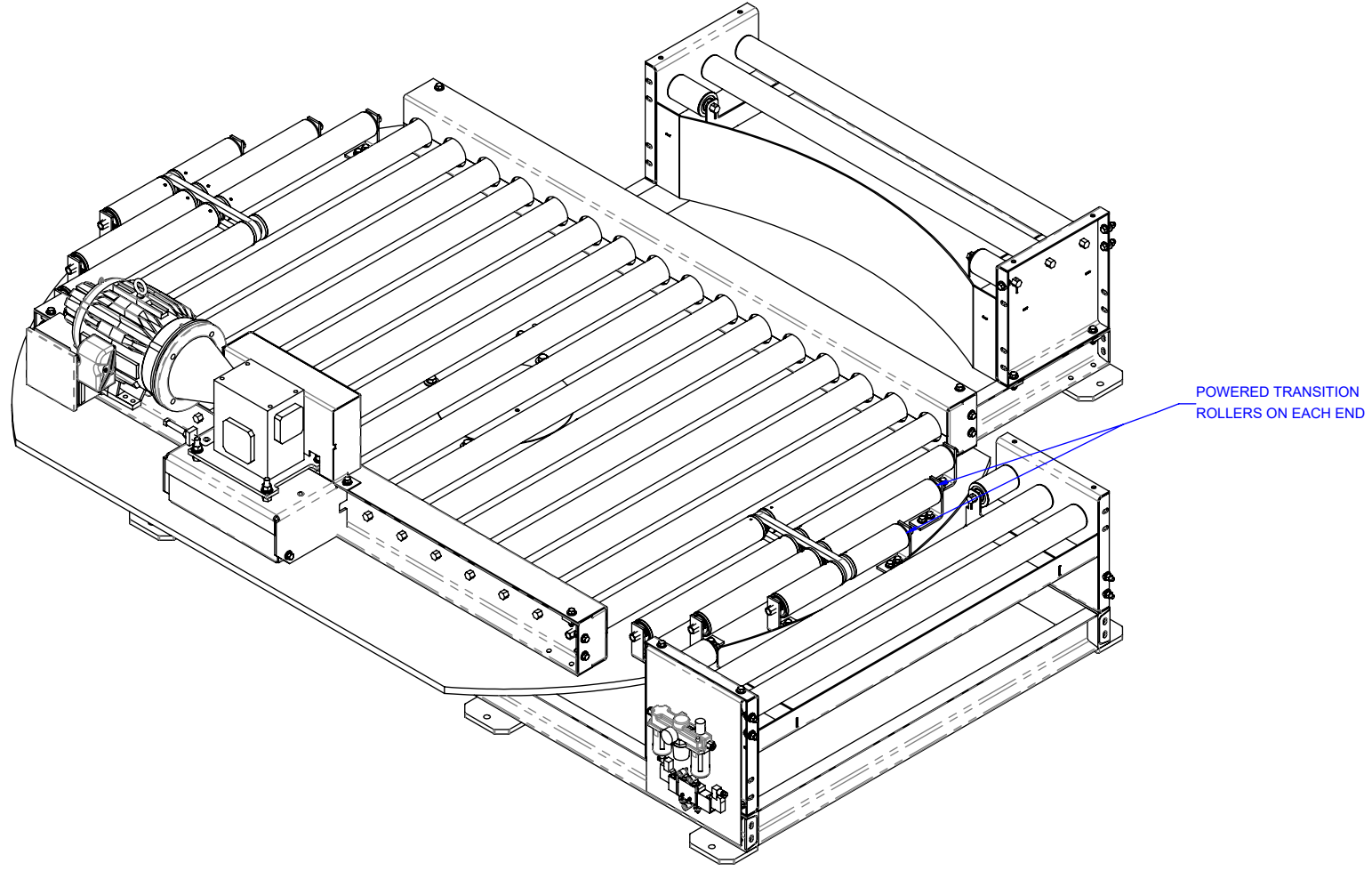
DESCRIPTION: PP90 TURNTABLE WITH CDLR25

LEWCO, INC. IS COMMITTED TO CONTINUOUS
 IMPROVEMENT AND RESERVES THE RIGHT TO CHANGE
 DESIGNS AND SPECIFICATIONS WITHOUT NOTICE.

THIS DRAWING MUST NOT BE COPIED, REPRODUCED
 OR USED FOR ANY PURPOSE WITHOUT THE WRITTEN
 CONSENT OF LEWCO, INC. ALL RIGHTS RESERVED.



706 LANE ST. SANDUSKY, OH 44870, U.S.A.



OPTIONS

MODEL: PP90C25

DESCRIPTION: PP90 TURNTABLE WITH CDLR25

LEWCO, INC. IS COMMITTED TO CONTINUOUS IMPROVEMENT AND RESERVES THE RIGHT TO CHANGE DESIGNS AND SPECIFICATIONS WITHOUT NOTICE.

THIS DRAWING MUST NOT BE COPIED, REPRODUCED OR USED FOR ANY PURPOSE WITHOUT THE WRITTEN CONSENT OF LEWCO, INC. ALL RIGHTS RESERVED.