

EFFECTIVE WIDTH	MAXIMUM LOAD LENGTH	DIAMETER
24"	27"	43"
30"	32"	52"
36"	36"	61"
42"	45"	70"
48"	50"	79"
51"	54"	84"
54"	54"	84"
60"	63"	97"

Turntable Capacity: 4000 LBS - Not to exceed CDLR capacity.

MODEL: PP360C26

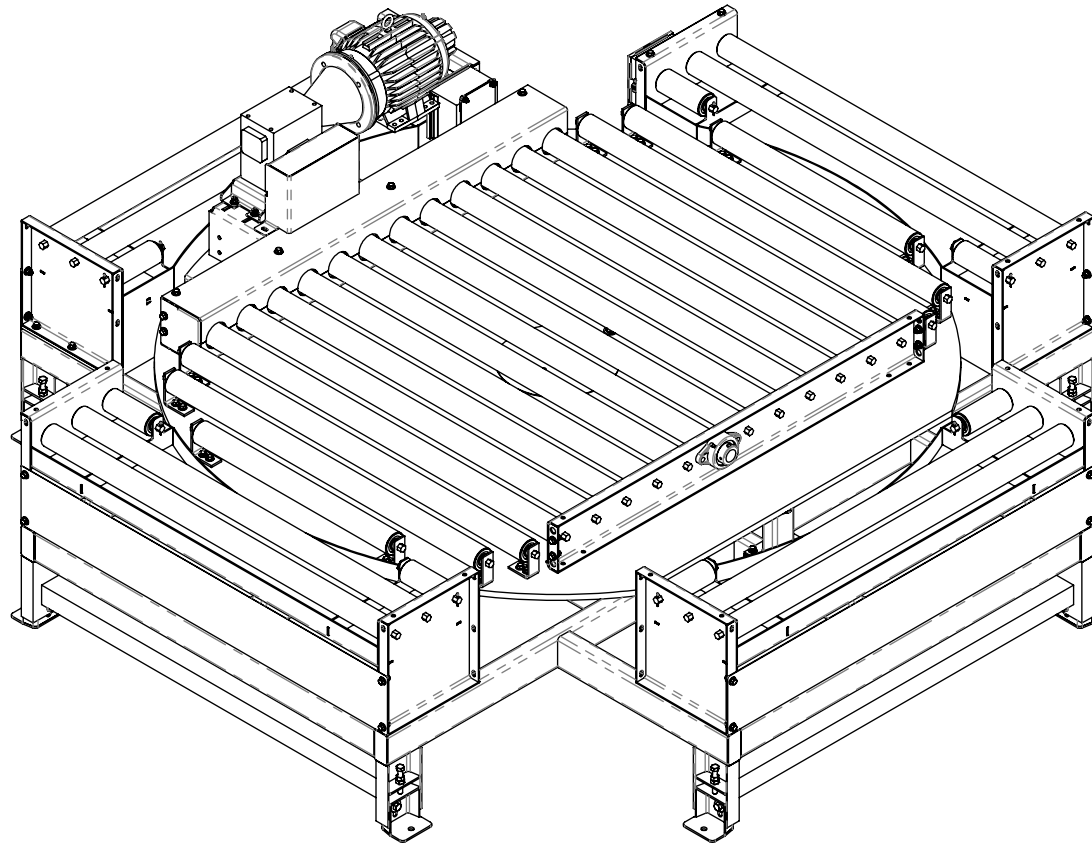
DESCRIPTION: PP360 TURNABLE WITH CDLR26

LEWCO, INC. IS COMMITTED TO CONTINUOUS IMPROVEMENT AND RESERVES THE RIGHT TO CHANGE DESIGNS AND SPECIFICATIONS WITHOUT NOTICE.

THIS DRAWING MUST NOT BE COPIED, REPRODUCED OR USED FOR ANY PURPOSE WITHOUT THE WRITTEN CONSENT OF LEWCO, INC. ALL RIGHTS RESERVED.

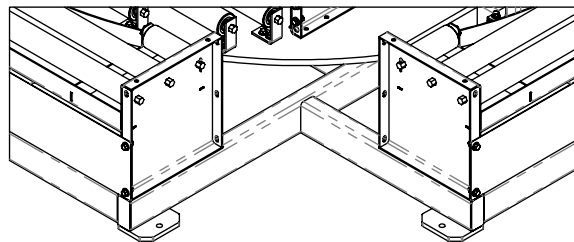


706 LANE ST. SANDUSKY, OH 44870, U.S.A.

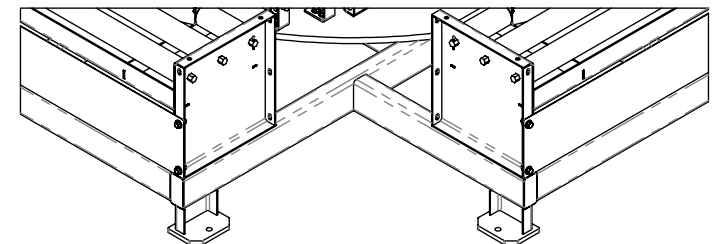


STRUCTURAL CHANNEL
JACK-BOLT SUPPORTS FOR
ELEVATION 21.5" AND TALLER

STANDARD SUPPORTS



FLOOR PADS FOR
LOW ELEVATIONS



STRUCTURAL CHANNEL WELDED RISERS
FOR ELEVATION UP TO 21.5"
(JACK-BOLT SUPPORTS FOR TALLER ELEVATIONS)

MODEL: PP360C26

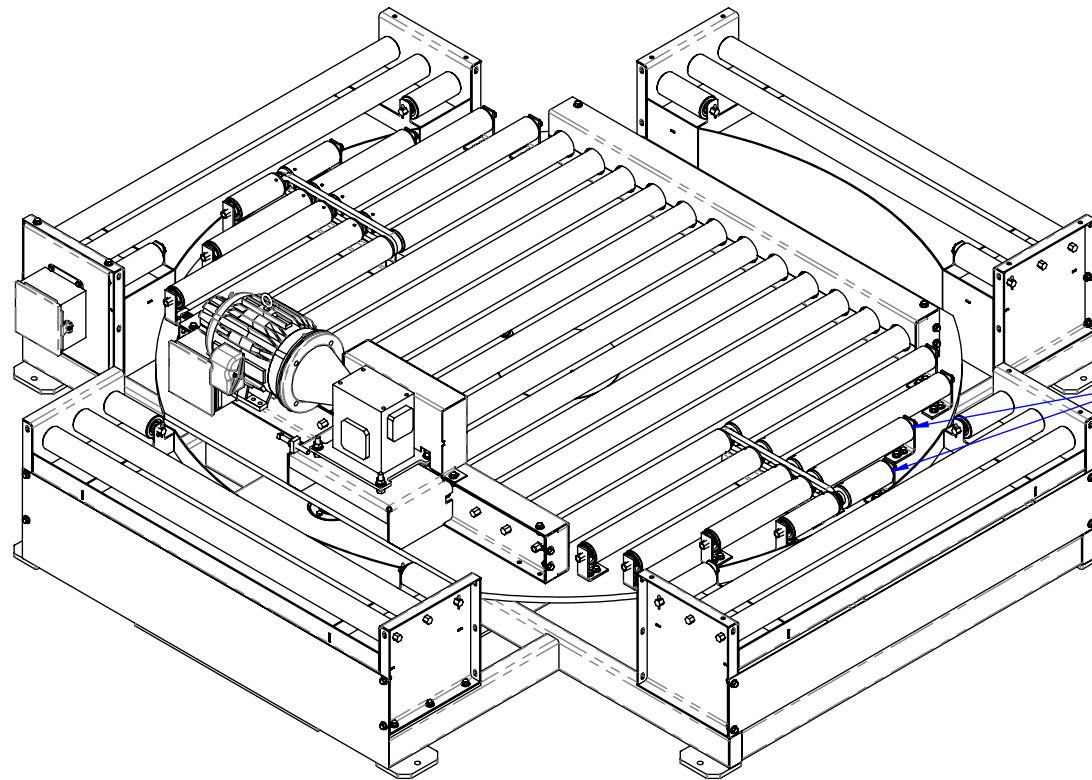
DESCRIPTION: PP360 TURNABLE WITH CDLR26

LEWCO, INC. IS COMMITTED TO CONTINUOUS
IMPROVEMENT AND RESERVES THE RIGHT TO CHANGE
DESIGNS AND SPECIFICATIONS WITHOUT NOTICE.

THIS DRAWING MUST NOT BE COPIED, REPRODUCED
OR USED FOR ANY PURPOSE WITHOUT THE WRITTEN
CONSENT OF LEWCO, INC. ALL RIGHTS RESERVED.



706 LANE ST. SANDUSKY, OH 44870, U.S.A.



POWERED TRANSITION
ROLLERS ON EACH END

OPTIONS

MODEL: PP360C26

DESCRIPTION: PP360 TURNTABLE WITH CDLR26

LEWCO, INC. IS COMMITTED TO CONTINUOUS
IMPROVEMENT AND RESERVES THE RIGHT TO CHANGE
DESIGNS AND SPECIFICATIONS WITHOUT NOTICE.

THIS DRAWING MUST NOT BE COPIED, REPRODUCED
OR USED FOR ANY PURPOSE WITHOUT THE WRITTEN
CONSENT OF LEWCO, INC. ALL RIGHTS RESERVED.