

Please download this editable PDF to your computer. Once you have filled out all the fields, save your work and send it to conveyorsales@lewcoinc.com.

*Indicates answer required.

INTRODUCTION

Company Name:

Contact Name:

Phone Number:

Email Address:

Project Reference:

Quote Due Date:

Project Order Time Frame:

Pricing Requirement: Budget Firm

APPLICATION INFORMATION

*What is the product being conveyed?

Describe the products' bottom surface that will be in contact with conveyor. For example, is it a flat even surface?

Can you provide a picture of the bottom of the pallet, bin, or product? Yes No

*Product Width: Inches *Product Length: Inches

*Product Height: Inches *Product Maximum Unit Weight: LBS.

Product Temperature: °F. *Maximum Total Weight on Conveyor: LBS.

What is the rate of product per hour?

Harsh environmental factors to consider:

Temp. above 100°F. Excessive Particulate Abrasive Material Oil Outdoor

Temp. below 35°F. Moisture/ Humidity Other:

How is the conveyor loaded?

Another Conveyor Fork Truck Robot Crane Other:

APPLICATION INFORMATION

How is the conveyor unloaded?

Another Conveyor

Fork Truck

Robot

Crane

Other:

CONVEYOR DESIGN & CONSTRUCTION

*Conveyor Type:



Preferred Model:

Belt Width:

Inches

Conveyor Length:

Inches

Conveyor Height:

Inches

*Conveyor Speed:

Feet per Minute (FPM)

Belt Type:

Motor Horsepower:

Motor Voltage:

Is a V-Guide required?

Yes

No

Unsure

Is a Troughed Belt required?

Yes

No

Unsure

Do you need any optional equipment?

Emergency Stop Button(s)

Photo Eye Sensor(s)

Guardrail, Height:

Inches

Emergency Stop Pull Cord

End Stop(s)

Other:

At-Motor Disconnect Switch

Supports w/ Casters

Conveyor Color:



Traffic Blue, RAL 5017



Light Gray, RAL 7035



Repose Gray, not a RAL



Patina Green, RAL 6000



Signal White, RAL 9003



Jet Black, RAL 9005



Flat Black, not a RAL



Bright Red Orange, RAL 2008

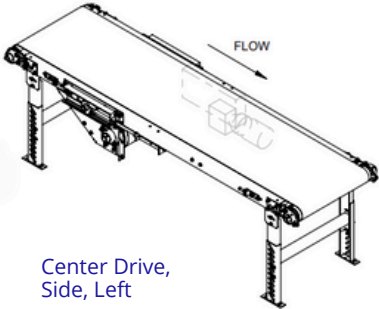
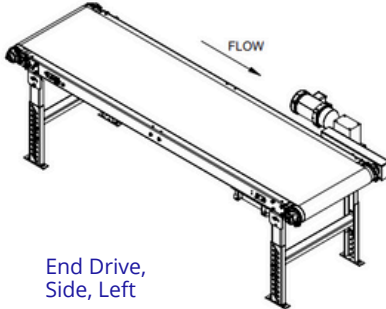
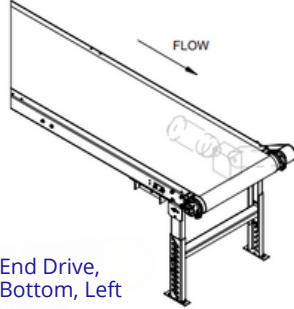
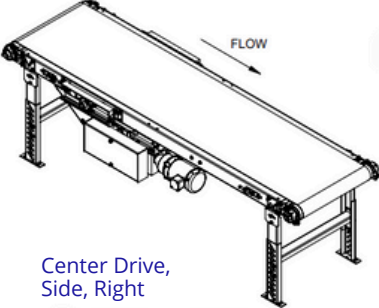
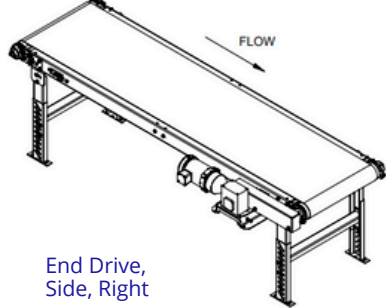
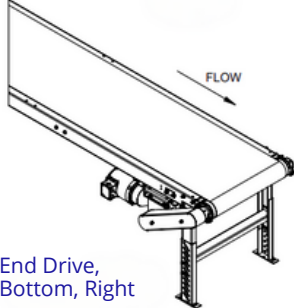


Traffic Yellow, RAL 1023

CONVEYOR DESIGN & CONSTRUCTION

Drive Location:

(Center Drive is required for conveyors that need to **reverse**.)

 <p>Center Drive, Side, Left</p>	 <p>End Drive, Side, Left</p>	 <p>End Drive, Bottom, Left</p>
 <p>Center Drive, Side, Right</p>	 <p>End Drive, Side, Right</p>	 <p>End Drive, Bottom, Right</p>
<p>No Preference</p>		<p>Other:</p>

CONTROLS

Does LEWCO need to provide drive motor controls? Yes No

Does the conveyor need to reverse? Yes No

Is speed variable? Yes No

What is the supply voltage/phase/hertz required?

ADDITIONAL INFORMATION

If this is a system, can you provide a layout drawing or sketches? Yes No

Additional details: