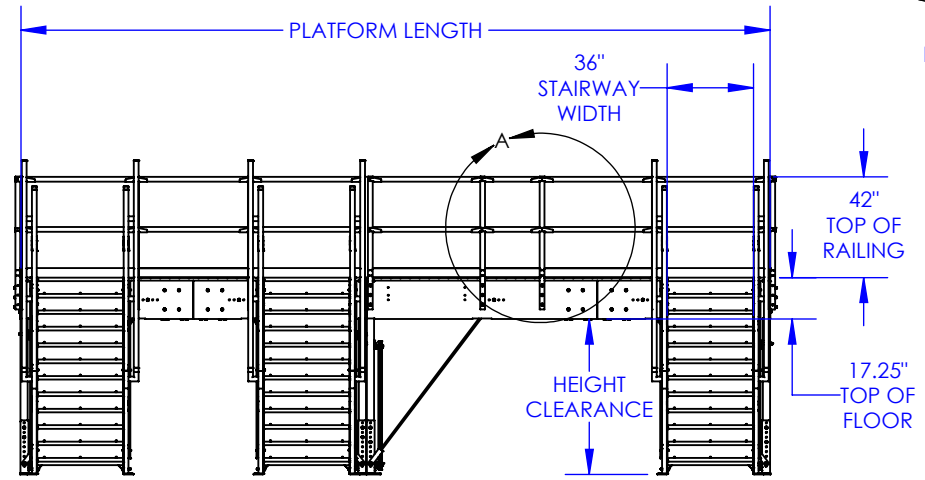
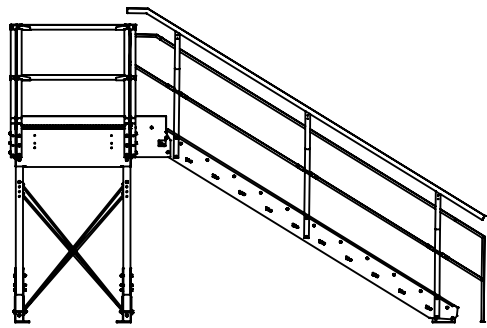
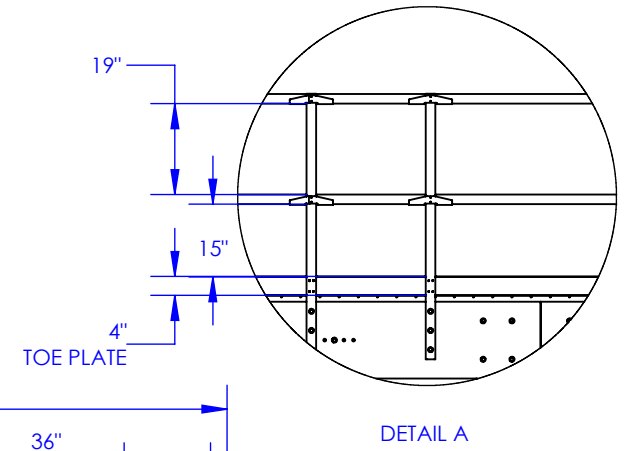
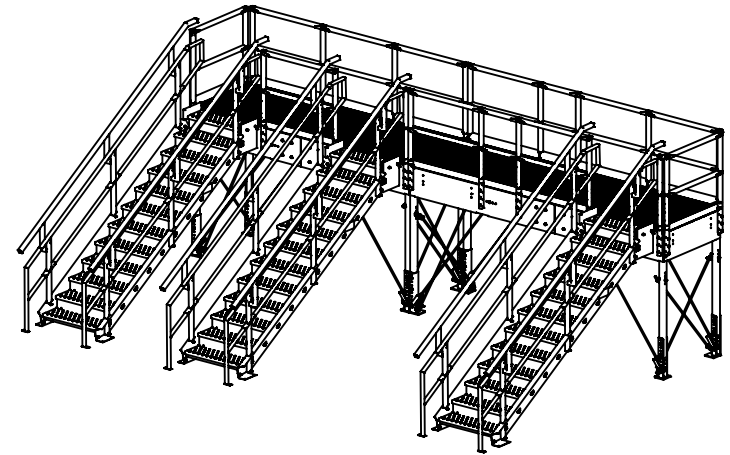
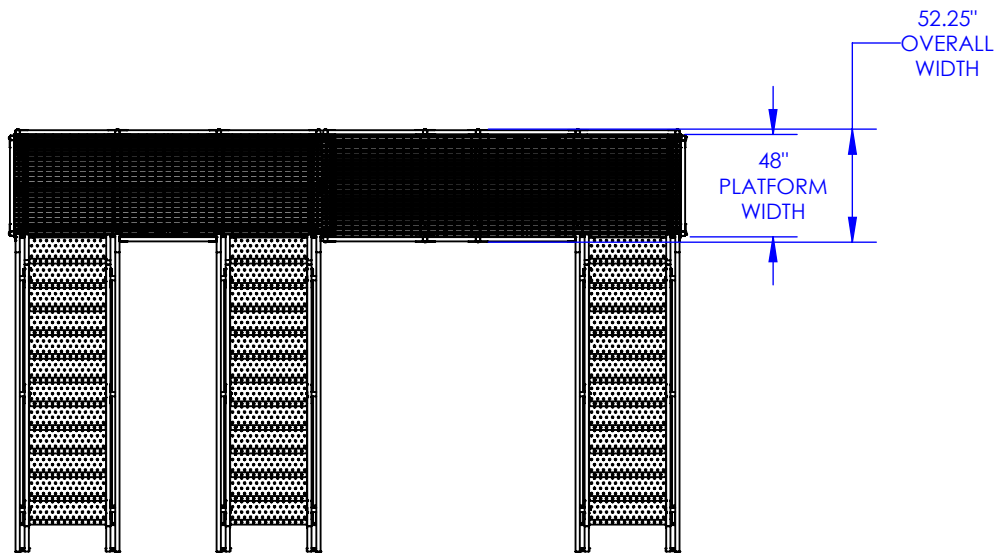


LOAD RATING:

PLATFORM: 130 PSF

STAIRWAY: 100 PSF



MODEL: LC3

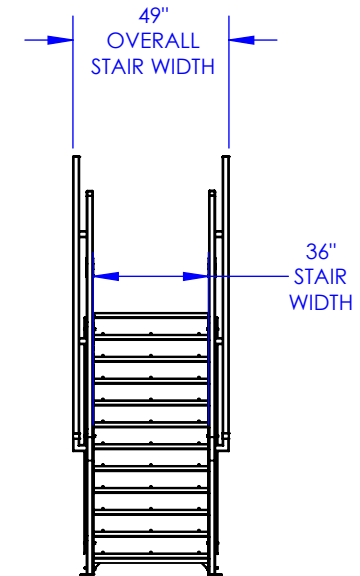
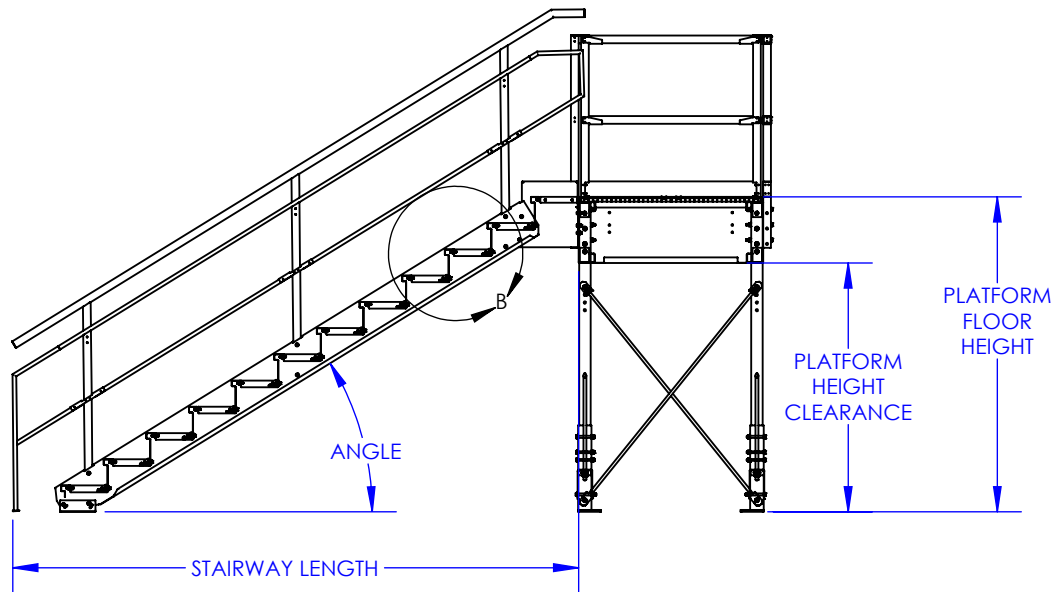
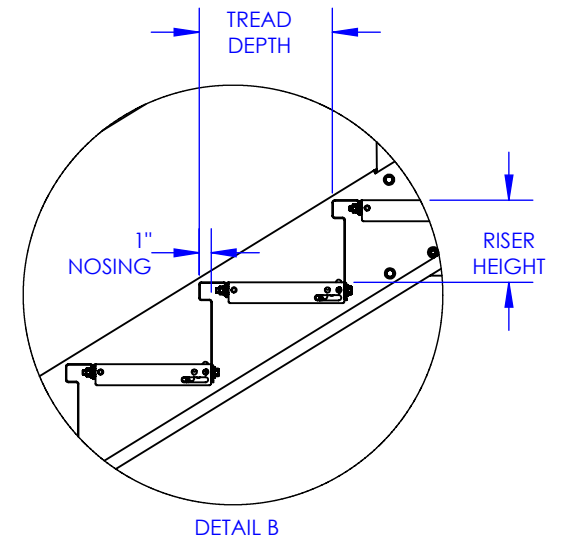
DESCRIPTION: CONVEYOR CROSSOVER, 3-STAIRWAYS

LEWCO, INC. IS COMMITTED TO CONTINUOUS IMPROVEMENT AND RESERVES THE RIGHT TO CHANGE DESIGNS AND SPECIFICATIONS WITHOUT NOTICE.

THIS DRAWING MUST NOT BE COPIED, REPRODUCED OR USED FOR ANY PURPOSE WITHOUT THE WRITTEN CONSENT OF LEWCO, INC. ALL RIGHTS RESERVED.



PLATFORM HEIGHT CLEARANCE (IN)	TOP OF FLOOR (IN)	STAIRWAY LENGTH (IN)	ANGLE (DEGREES)	TREAD DEPTH (IN)	RISER HEIGHT (IN)
54.75	72	152.43	27.4	11.58	6.00
56.75	74	151.48	28.2	11.49	6.17
58.75	76	150.49	29.1	11.40	6.33
60.75	78	149.47	29.9	11.30	6.50
62.75	80	148.41	30.8	11.21	6.67
64.75	82	147.31	31.6	11.10	6.83
66.75	84	146.18	32.5	11.00	7.00



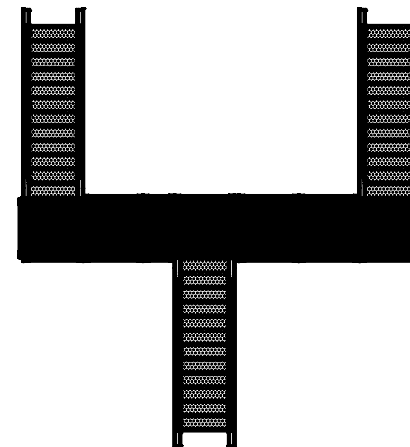
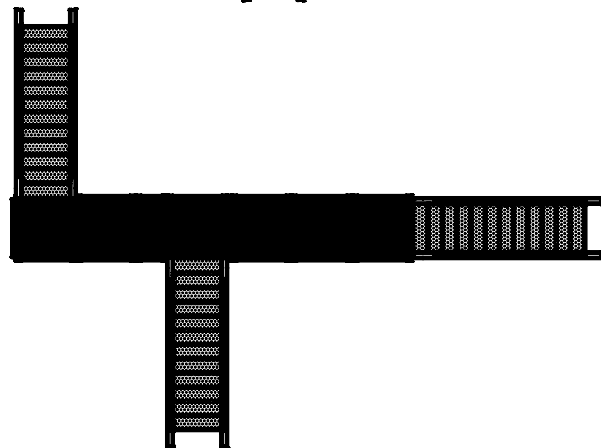
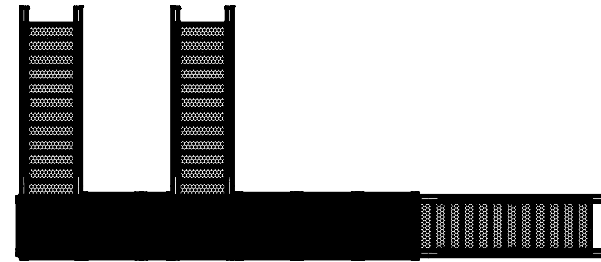
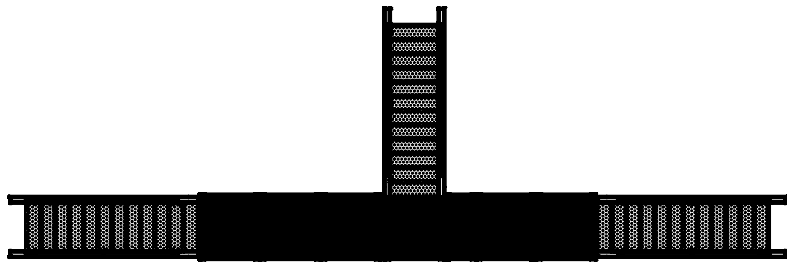
MODEL: LC3  
 DESCRIPTION: CONVEYOR CROSSOVER, 3-STAIRWAYS

LEWCO, INC. IS COMMITTED TO CONTINUOUS IMPROVEMENT AND RESERVES THE RIGHT TO CHANGE DESIGNS AND SPECIFICATIONS WITHOUT NOTICE.

THIS DRAWING MUST NOT BE COPIED, REPRODUCED OR USED FOR ANY PURPOSE WITHOUT THE WRITTEN CONSENT OF LEWCO, INC. ALL RIGHTS RESERVED.



706 LANE ST. SANDUSKY, OH 44870, U.S.A.

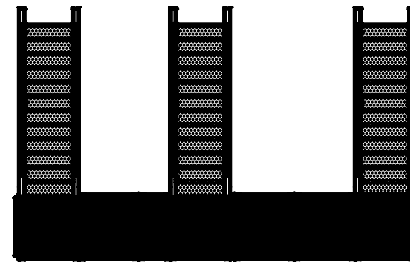
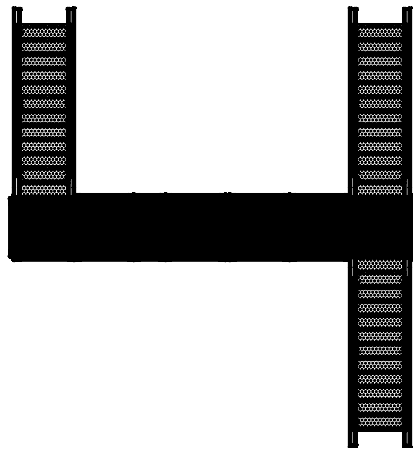
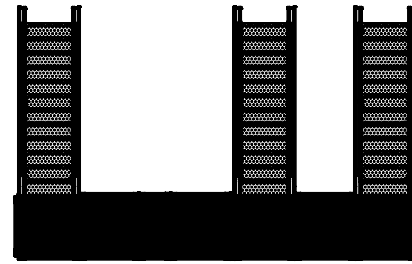
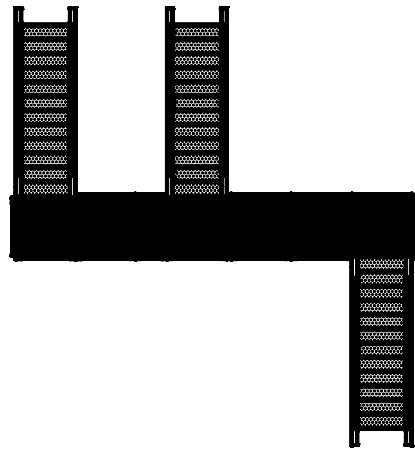


MODEL: LC3

DESCRIPTION: CONVEYOR CROSSOVER, 3-STAIRWAYS

LEWCO, INC. IS COMMITTED TO CONTINUOUS  
IMPROVEMENT AND RESERVES THE RIGHT TO CHANGE  
DESIGNS AND SPECIFICATIONS WITHOUT NOTICE.

THIS DRAWING MUST NOT BE COPIED, REPRODUCED OR  
USED FOR ANY PURPOSE WITHOUT THE WRITTEN  
CONSENT OF LEWCO, INC. ALL RIGHTS RESERVED.



**MODEL:** LC3

**DESCRIPTION:** CONVEYOR CROSSOVER, 3-STAIRWAYS

LEWCO, INC. IS COMMITTED TO CONTINUOUS IMPROVEMENT AND RESERVES THE RIGHT TO CHANGE DESIGNS AND SPECIFICATIONS WITHOUT NOTICE.

THIS DRAWING MUST NOT BE COPIED, REPRODUCED OR USED FOR ANY PURPOSE WITHOUT THE WRITTEN CONSENT OF LEWCO, INC. ALL RIGHTS RESERVED.

