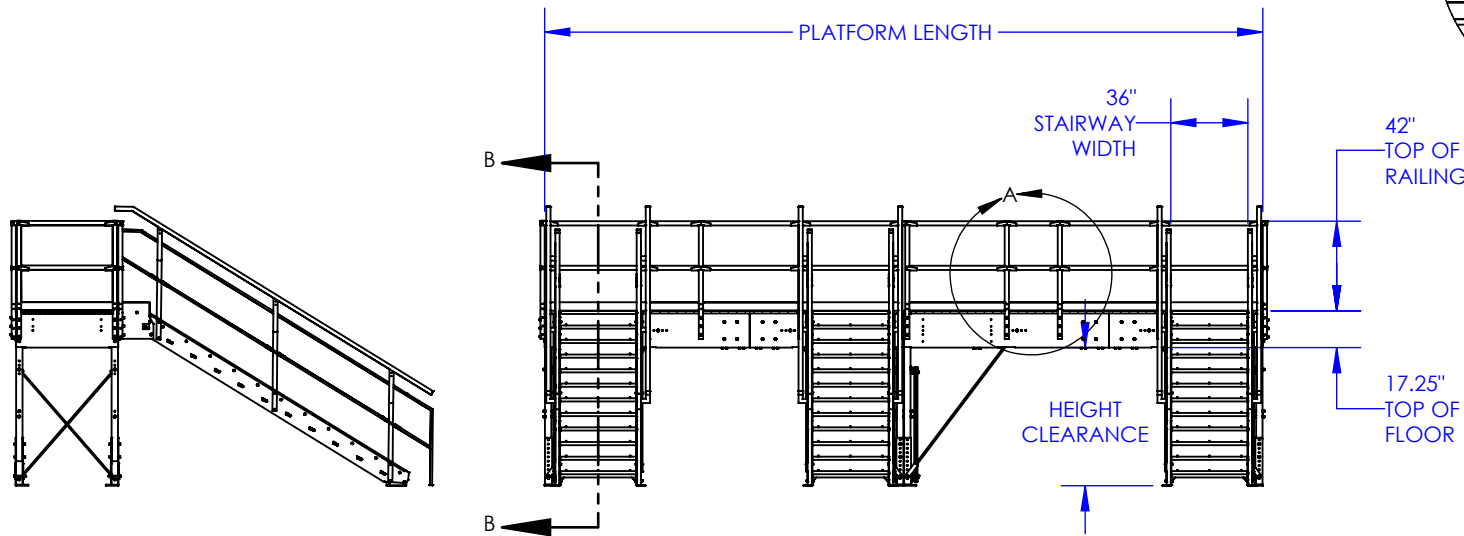
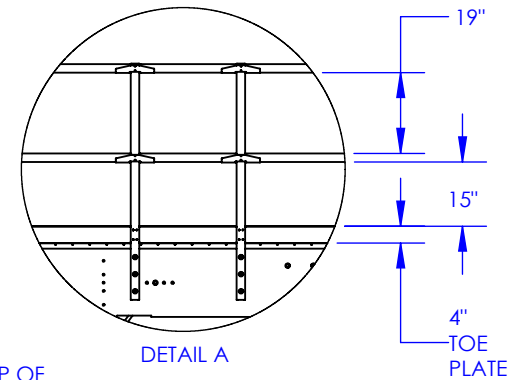
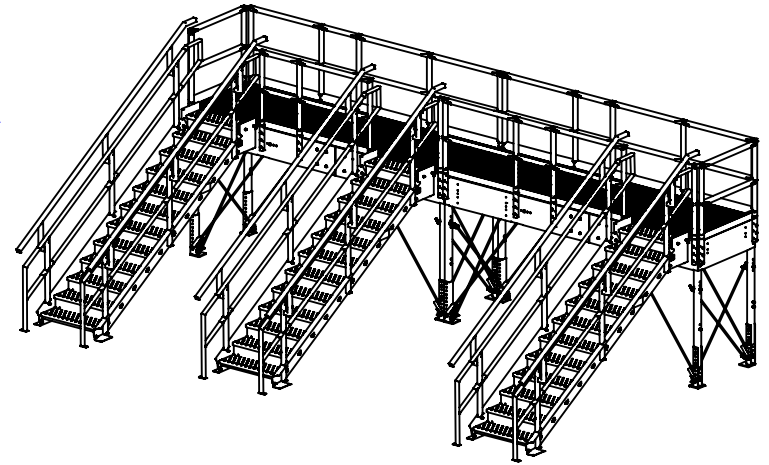
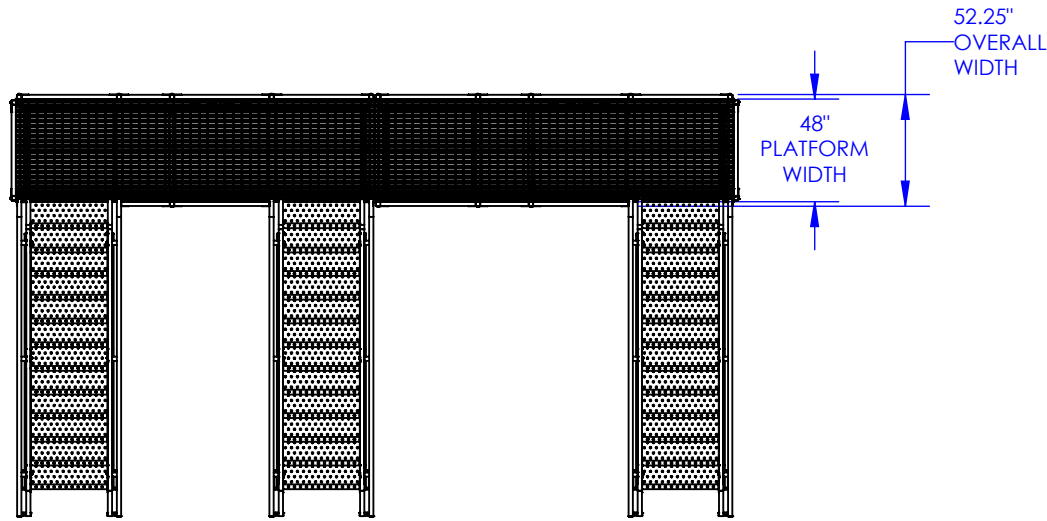


LOAD RATING:

PLATFORM: 130 PSF

STAIRWAY: 100 PSF



MODEL: LC3

CONFIGURATION: C31

DESCRIPTION: CONVEYOR CROSSOVER, 3-STAIRWAYS

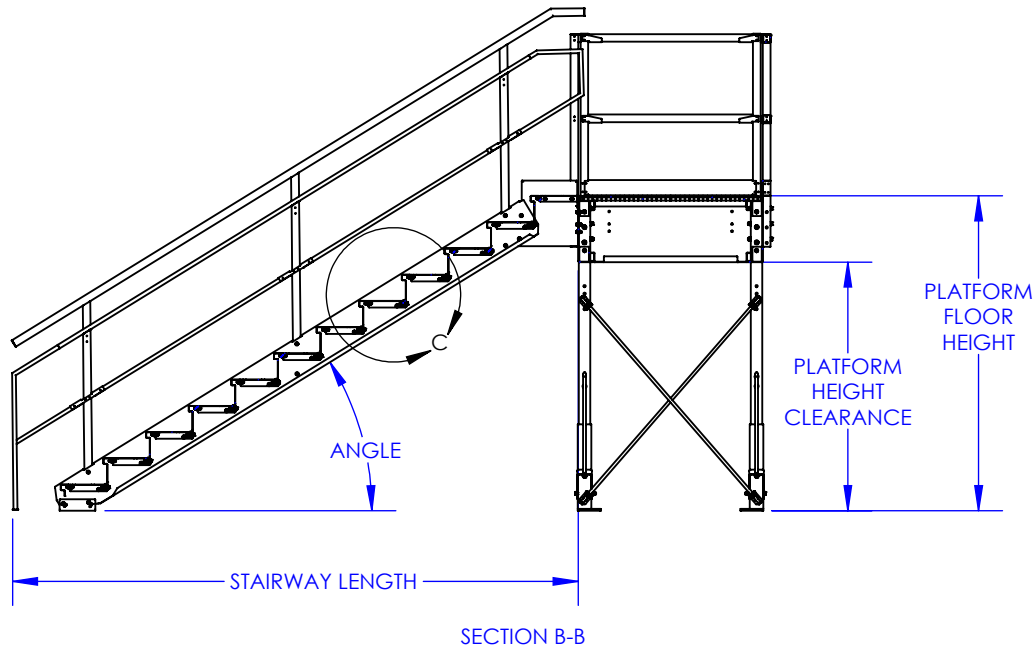
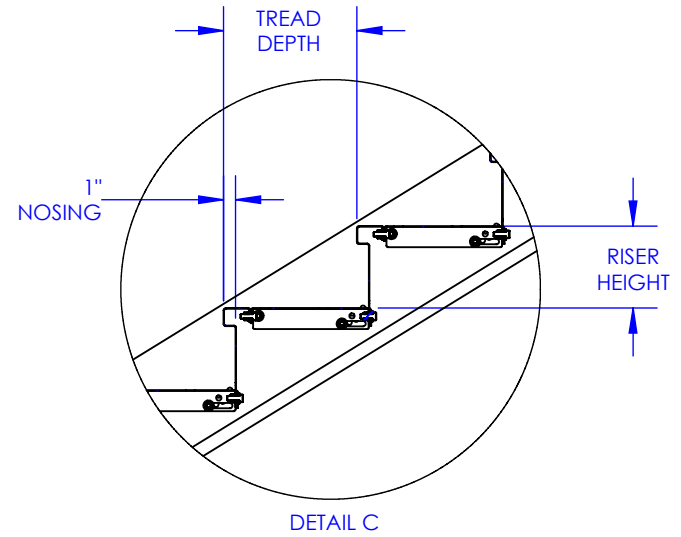
LEWCO, INC. IS COMMITTED TO CONTINUOUS IMPROVEMENT AND RESERVES THE RIGHT TO CHANGE DESIGNS AND SPECIFICATIONS WITHOUT NOTICE.

THIS DRAWING MUST NOT BE COPIED, REPRODUCED OR USED FOR ANY PURPOSE WITHOUT THE WRITTEN CONSENT OF LEWCO, INC. ALL RIGHTS RESERVED.



706 LANE ST. SANDUSKY, OH 44870, U.S.A.

PLATFORM HEIGHT CLEARANCE (IN)	TOP OF FLOOR (IN)	STAIRWAY LENGTH (IN)	ANGLE (DEGREES)	TREAD DEPTH (IN)	RISER HEIGHT (IN)
54.75	72	152.43	27.4	11.58	6.00
56.75	74	151.48	28.2	11.49	6.17
58.75	76	150.49	29.1	11.40	6.33
60.75	78	149.47	29.9	11.30	6.50
62.75	80	148.41	30.8	11.21	6.67
64.75	82	147.31	31.6	11.10	6.83
66.75	84	146.18	32.5	11.00	7.00



MODEL: LC3 CONFIGURATION: C31
 DESCRIPTION: CONVEYOR CROSSOVER, 3-STAIRWAYS

LEWCO, INC. IS COMMITTED TO CONTINUOUS IMPROVEMENT AND RESERVES THE RIGHT TO CHANGE DESIGNS AND SPECIFICATIONS WITHOUT NOTICE.

THIS DRAWING MUST NOT BE COPIED, REPRODUCED OR USED FOR ANY PURPOSE WITHOUT THE WRITTEN CONSENT OF LEWCO, INC. ALL RIGHTS RESERVED.



706 LANE ST. SANDUSKY, OH 44870, U.S.A.