

EFFECTIVE WIDTH	MAXIMUM LOAD LENGTH	DIAMETER
24"	27"	43"
30"	32"	52"
36"	36"	61"
42"	45"	70"
48"	50"	79"
51"	54"	84"
54"	54"	84"
60"	63"	97"

ELEVATION: 18" TO 48"

LOAD CAPACITY: 4000 LB MAXIMUM LOAD DISTRIBUTED ON CONVEYOR.

MODEL: PP360C25

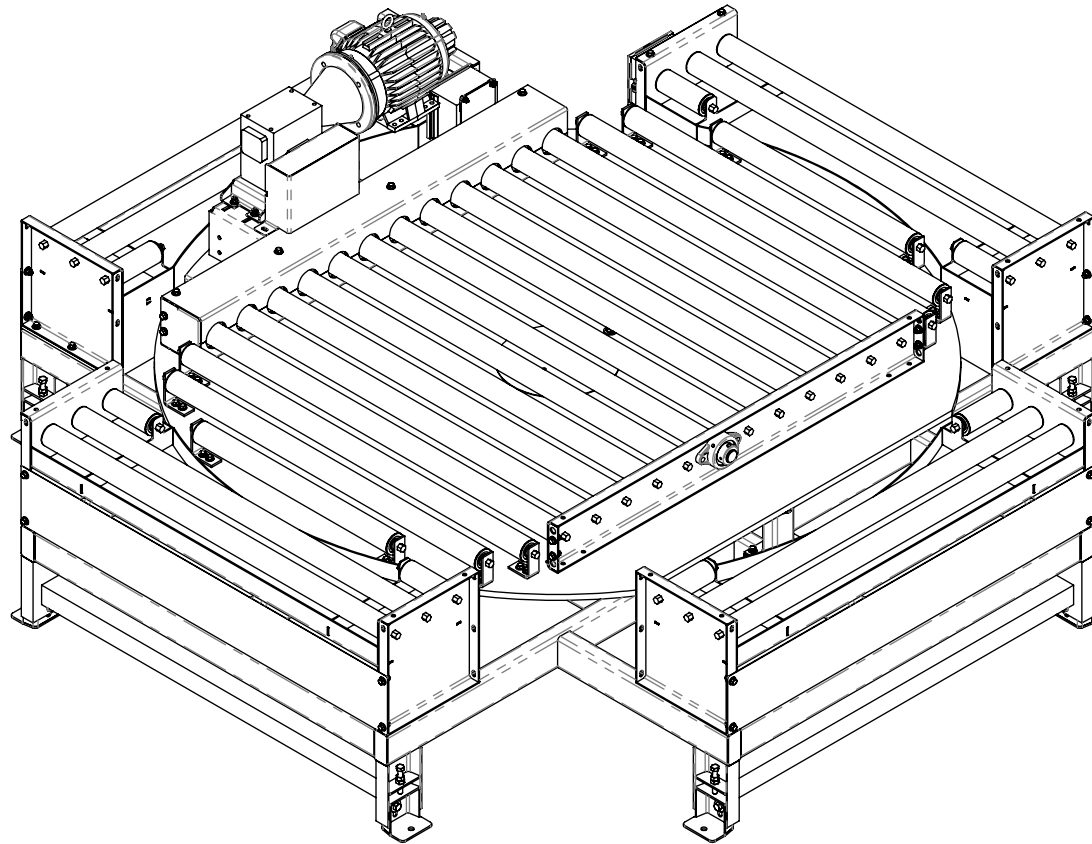
DESCRIPTION: PP360 TURNABLE WITH CDLR25

LEWCO, INC. IS COMMITTED TO CONTINUOUS IMPROVEMENT AND RESERVES THE RIGHT TO CHANGE DESIGNS AND SPECIFICATIONS WITHOUT NOTICE.

THIS DRAWING MUST NOT BE COPIED, REPRODUCED OR USED FOR ANY PURPOSE WITHOUT THE WRITTEN CONSENT OF LEWCO, INC. ALL RIGHTS RESERVED.

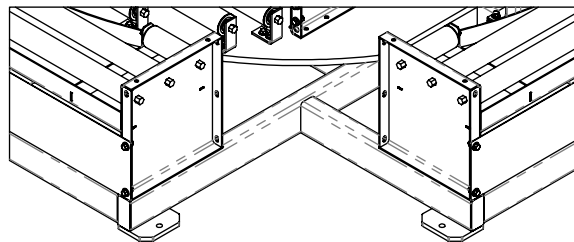


706 LANE ST. SANDUSKY, OH 44870, U.S.A.

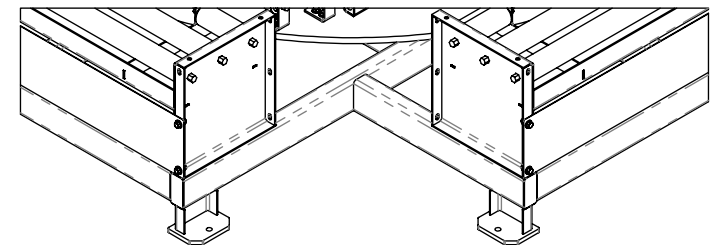


STRUCTURAL CHANNEL
JACK-BOLT SUPPORTS FOR
ELEVATION 21.5" AND TALLER

STANDARD SUPPORTS



FLOOR PADS FOR
LOW ELEVATIONS



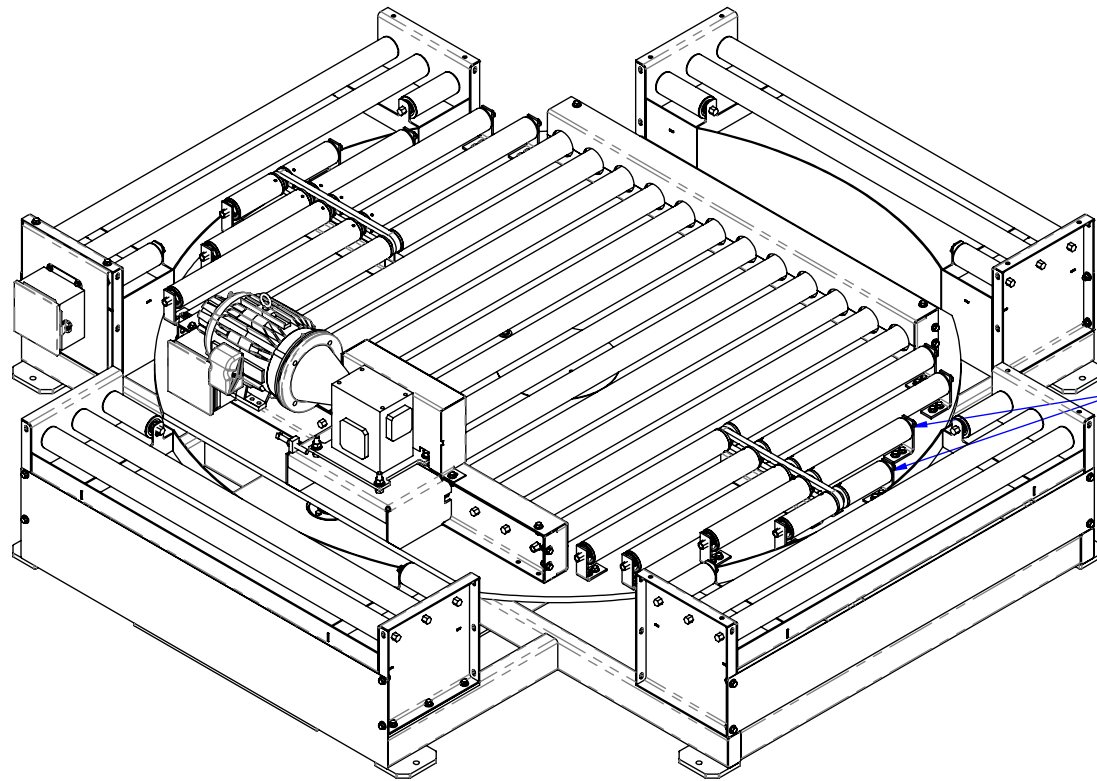
STRUCTURAL CHANNEL WELDED RISERS
FOR ELEVATION UP TO 21.5"
(JACK-BOLT SUPPORTS FOR TALLER ELEVATIONS)

MODEL: PP360C25

DESCRIPTION: PP360 TURNABLE WITH CDLR25

LEWCO, INC. IS COMMITTED TO CONTINUOUS
IMPROVEMENT AND RESERVES THE RIGHT TO CHANGE
DESIGNS AND SPECIFICATIONS WITHOUT NOTICE.

THIS DRAWING MUST NOT BE COPIED, REPRODUCED
OR USED FOR ANY PURPOSE WITHOUT THE WRITTEN
CONSENT OF LEWCO, INC. ALL RIGHTS RESERVED.



POWERED TRANSITION
ROLLERS ON EACH END

OPTIONS

MODEL: PP360C25

DESCRIPTION: PP360 TURNTABLE WITH CDLR25

LEWCO, INC. IS COMMITTED TO CONTINUOUS
IMPROVEMENT AND RESERVES THE RIGHT TO CHANGE
DESIGNS AND SPECIFICATIONS WITHOUT NOTICE.

THIS DRAWING MUST NOT BE COPIED, REPRODUCED
OR USED FOR ANY PURPOSE WITHOUT THE WRITTEN
CONSENT OF LEWCO, INC. ALL RIGHTS RESERVED.