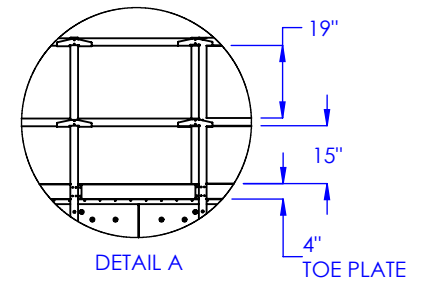
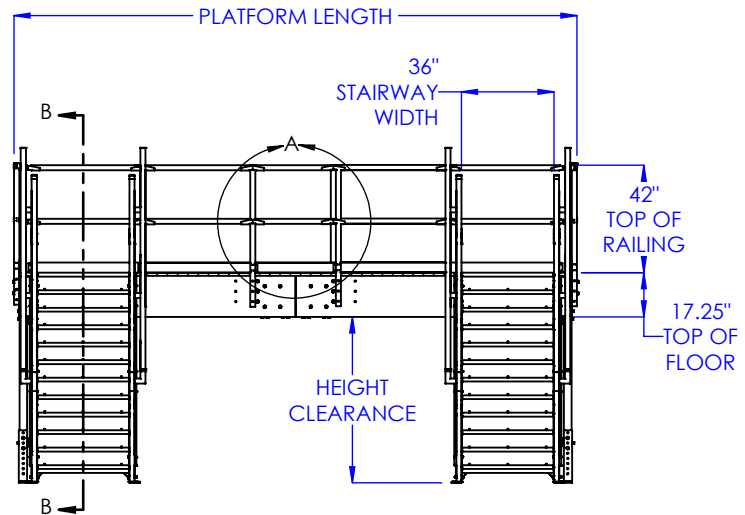
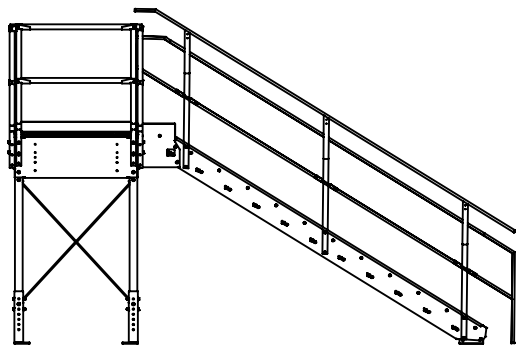
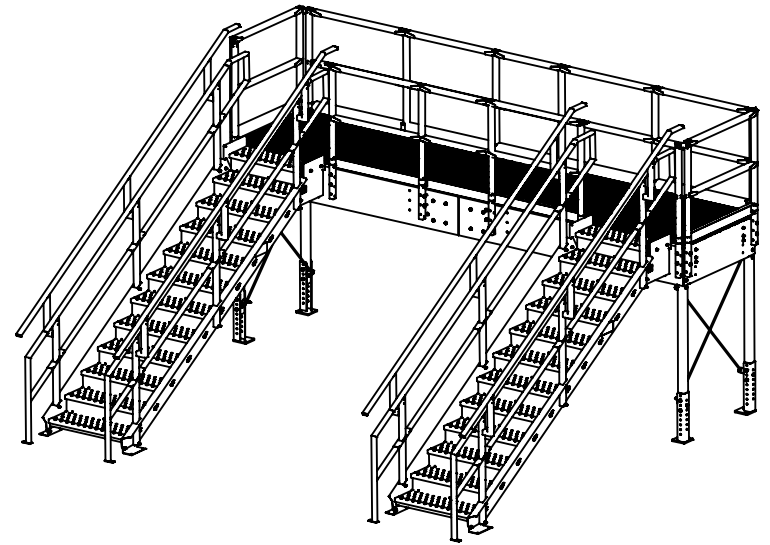
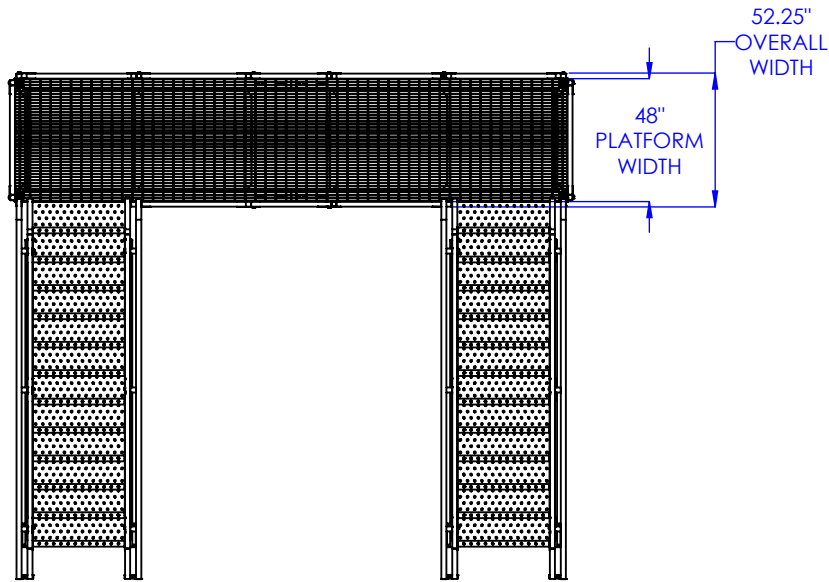


LOAD RATING

A. PLATFORM: 130 PSF

B. STAIRWAY: 100 PSF

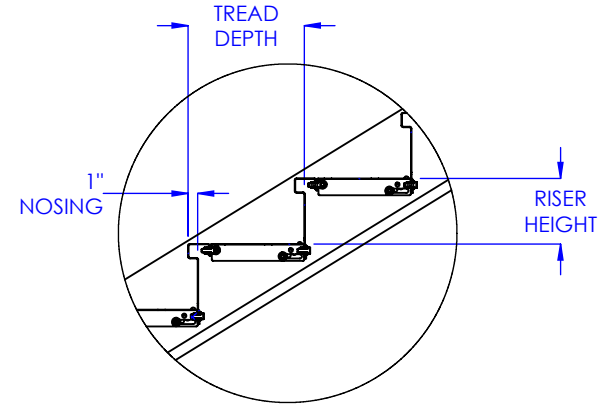


MODEL: LC2

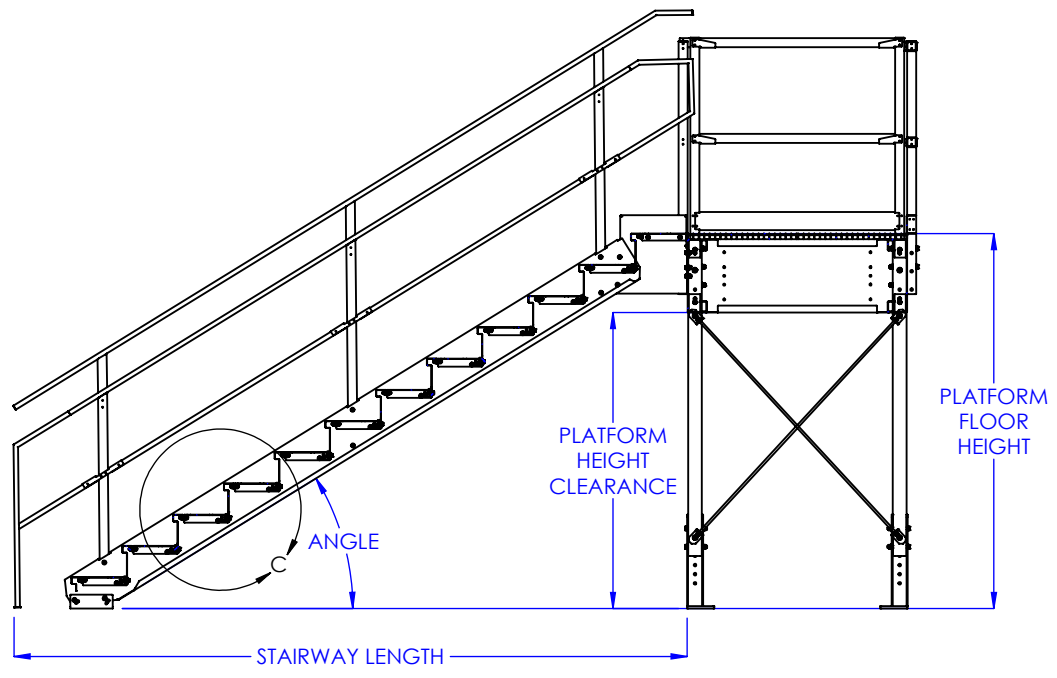
CONFIGURATION: C22

DESCRIPTION: CONVEYOR CROSSOVER, 2-STAIRWAYS, U-SHAPE

PLATFORM HEIGHT CLEARANCE (IN)	TOP OF FLOOR (IN)	STAIRWAY LENGTH (IN)	ANGLE (DEGREES)	TREAD DEPTH (IN)	RISER HEIGHT (IN)
54.75	72	152.43	27.4	11.58	6.00
56.75	74	151.48	28.2	11.49	6.17
58.75	76	150.49	29.1	11.40	6.33
60.75	78	149.47	29.9	11.30	6.50
62.75	80	148.41	30.8	11.21	6.67
64.75	82	147.31	31.6	11.10	6.83
66.75	84	146.18	32.5	11.00	7.00



DETAIL C
SCALE 1 : 20



SECTION B-B

MODEL: LC2 CONFIGURATION: C22
 DESCRIPTION: CONVEYOR CROSSOVER, 2-STAIRWAYS, U-SHAPE

LEWCO, INC. IS COMMITTED TO CONTINUOUS IMPROVEMENT AND RESERVES THE RIGHT TO CHANGE DESIGNS AND SPECIFICATIONS WITHOUT NOTICE.
 THIS DRAWING MUST NOT BE COPIED, REPRODUCED OR USED FOR ANY PURPOSE WITHOUT THE WRITTEN CONSENT OF LEWCO, INC. ALL RIGHTS RESERVED.

