

HDRB25 – Heavy Duty Roller Bed with 2.50” Diameter Rollers

Model HDRB25 is a heavy duty roller bed belt conveyor intended for the most extreme applications. These conveyors are often used in moving heavy loads not conveyable on other types on heavy duty live roller conveyor

Belt Width

- 12”, 18”, 24”, 30”, 36”, 48”, 60”, 72”

Length

- 60” to 1,200”

Belt

- PVC120 EMB embossed cover with clipper lacing.
- Optional:
 - PVC120 smooth top
 - PVC150 rough top
 - PVC120, Black friction both sides
 - PVC Food grade, White
 - Thermoplastic polyurethane (TPU) Covered Belt
 - PVC longitudinal groove
 - No Belt
- Trough Belt design also available.

Drive Location

- End Drive, Bottom Right
- Optional:
 - End Drive, Bottom, Left
 - End Drive, Side, Right or Left
 - Center Drive, Right or Left (standard for conveyors with reverse)

Motor

- 3/4 HP to 2 HP
- Totally Enclosed Fan Cooled motor
- Optional:
 - Inverter Duty motor
 - Power Off Brake motor
- Voltage: 230/460/ 3Ph/ 60hz
- Optional:
 - 115V/ 1Ph/ 60Hz
 - 208V/ 1Ph/ 60Hz
 - 230V/ 1Ph/ 60Hz
 - 575V/ 3Ph/ 60Hz
 - 90V DC

Speed

- 15 to 150 FPM (feet per minute)
- Reverse capability optional

Control Options

- No controls (provided by others)
- Variable Speed Controller
- Combination motor starter with disconnect, fixed speed
- Combination motor starter with disconnect, variable speed
- PLC with HMI

Conveyor Color

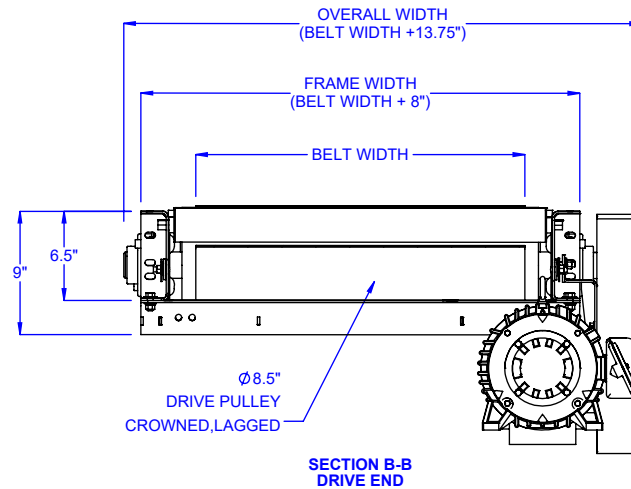
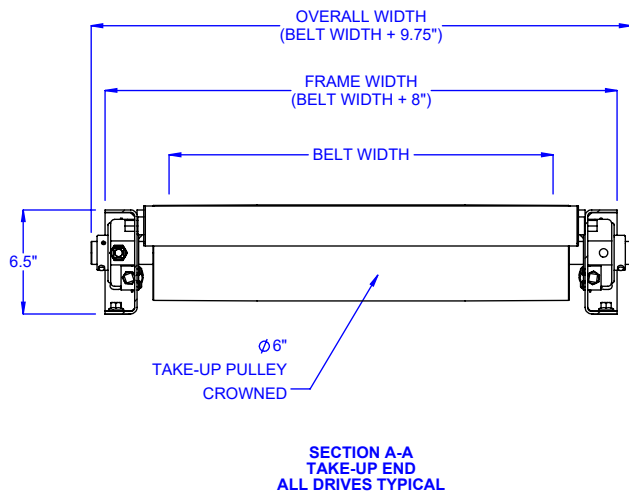
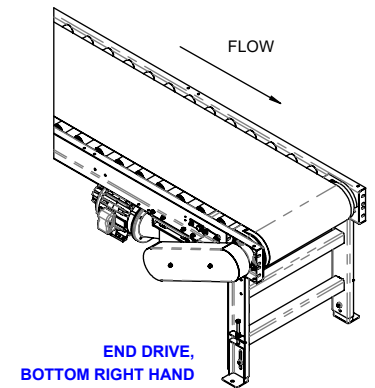
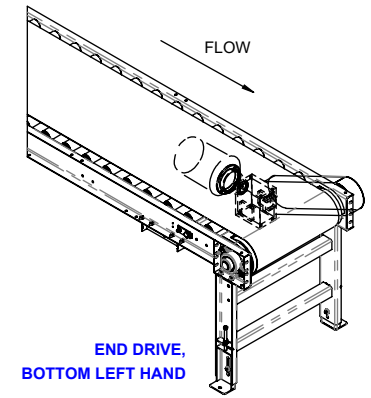
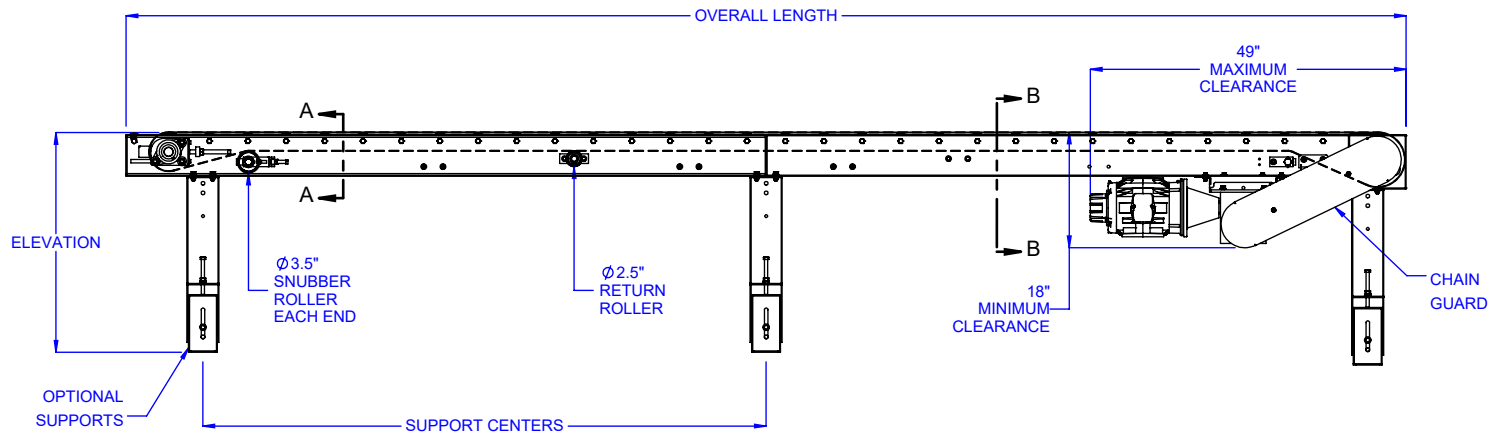
- Blue (RAL 5017)
- Guards are yellow (RAL 1023)
- Moving parts are bright red orange (RAL 2008).
- Optional:
 - Light Gray (RAL 7035)
 - Repose Gray (not an RAL)
 - Patina Green (RAL 6000)
 - Signal White (RAL 9003)
 - Jet Black (RAL 9005)
 - Flat Black (not an RAL)
 - Custom colors available

Additional Options

- Conveyor Supports with or without casters
- Guardrail
- Photo Eye Sensor(s)
- Custom sizes and features available. Please consult a LEWCO Applications Engineer for more information.

Quality Assurance

- Each unit comes complete with a (1) year warranty.
- Manufactured under ISO 9001 Quality Certified System.



LOAD CAPACITY @ 60 FPM (LBS)						
HP	WIDTH					
	12"	24"	36"	48"	60"	72"
3/4	1100	1025	950	850	790	700
1	1500	1400	1350	1275	1200	1100
1 1/2	2325	2250	2175	2100	2000	1925
2	3150	3050	3000	2900	2825	2750
LOAD CAPACITY @ 30 FPM (LBS)						
HP	WIDTH					
	12"	24"	36"	48"	60"	72"
3/4	2350	2250	2150	2050	2000	1900
1	3150	3075	3000	2900	2850	2750
1 1/2	4750	4675	4575	4500	4450	4350
2	6400	6300	6200	6150	6050	6000

MAXIMUM LOAD PER LINEAR FOOT OF CONVEYOR IS 350 POUNDS - NOT TO EXCEED CAPACITY ABOVE

MODEL: HDRB25

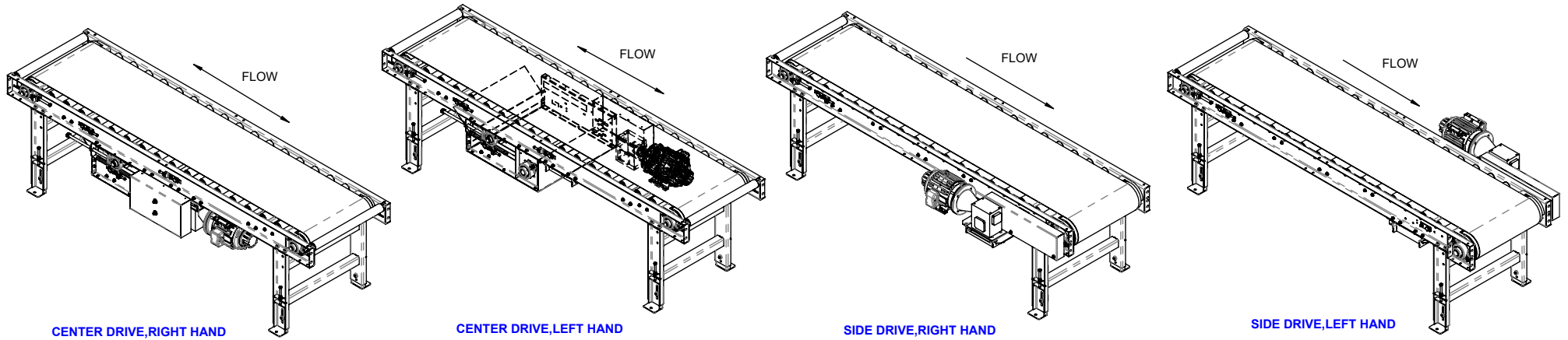
DESCRIPTION: HEAVY DUTY ROLLER BED BELT CONVEYOR

LEWCO, INC. IS COMMITTED TO CONTINUOUS IMPROVEMENT AND RESERVES THE RIGHT TO CHANGE DESIGNS AND SPECIFICATIONS WITHOUT NOTICE.

THIS DRAWING MUST NOT BE COPIED, REPRODUCED OR USED FOR ANY PURPOSE WITHOUT THE WRITTEN CONSENT OF LEWCO, INC. ALL RIGHTS RESERVED.

LEWCO

706 LANE ST. SANDUSKY, OH 44870, U.S.A.

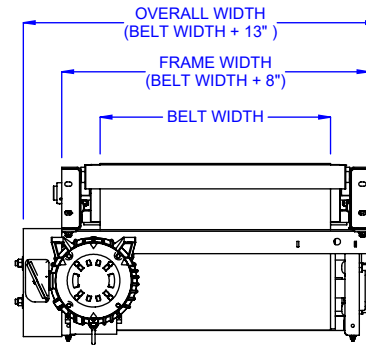
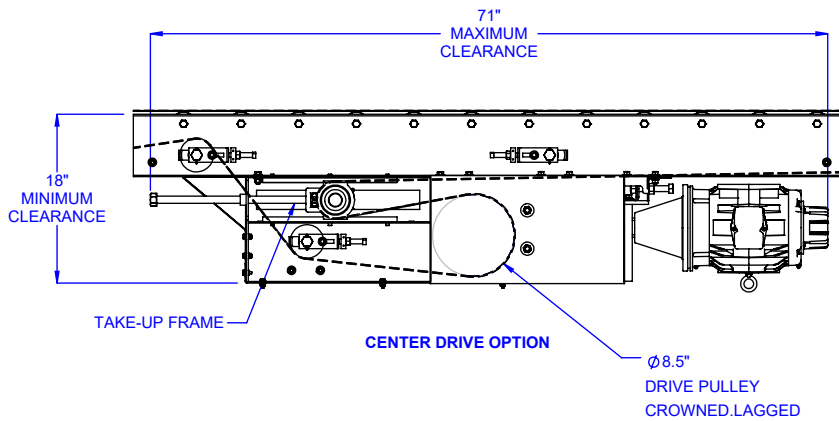


CENTER DRIVE, RIGHT HAND

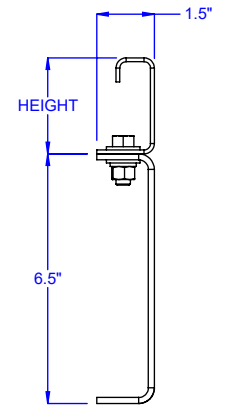
CENTER DRIVE, LEFT HAND

SIDE DRIVE, RIGHT HAND

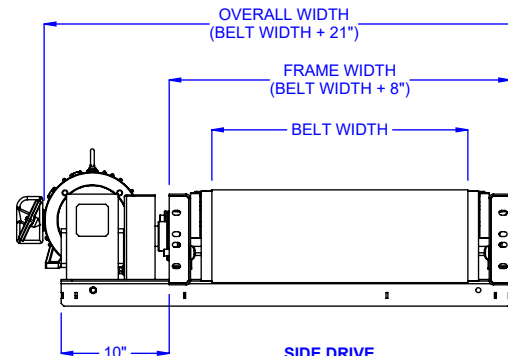
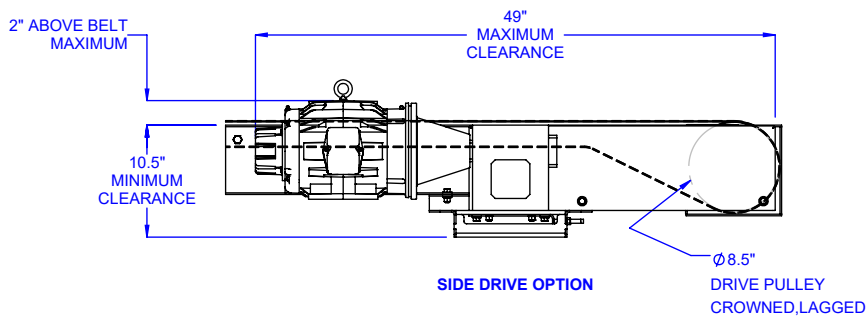
SIDE DRIVE, LEFT HAND



CENTER DRIVE END VIEW



OPTIONAL GUARDRAIL



SIDE DRIVE END VIEW

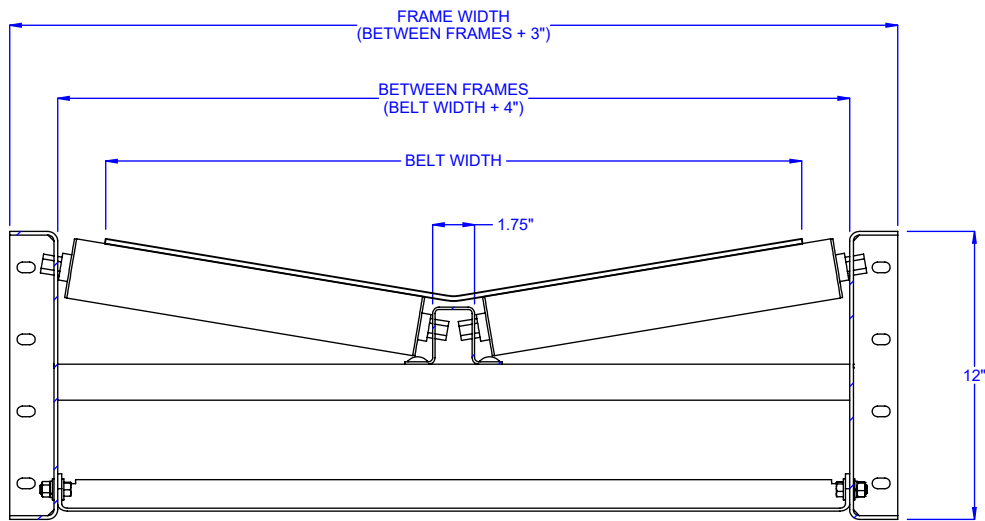
MODEL: HDRB25
 DESCRIPTION: HEAVY DUTY ROLLER BED BELT CONVEYOR

LEWCO, INC. IS COMMITTED TO CONTINUOUS IMPROVEMENT AND RESERVES THE RIGHT TO CHANGE DESIGNS AND SPECIFICATIONS WITHOUT NOTICE.

THIS DRAWING MUST NOT BE COPIED, REPRODUCED OR USED FOR ANY PURPOSE WITHOUT THE WRITTEN CONSENT OF LEWCO, INC. ALL RIGHTS RESERVED.

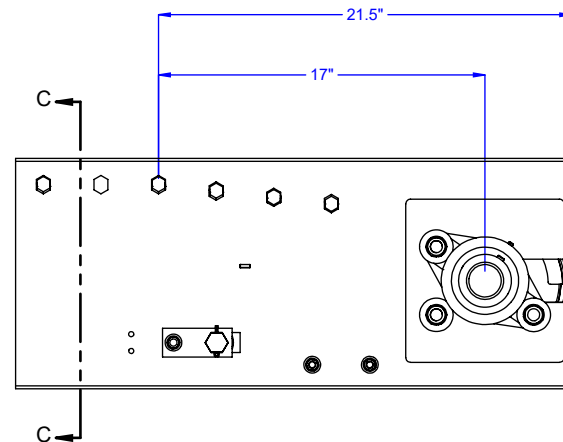


706 LANE ST. SANDUSKY, OH 44870, U.S.A.



SECTION C-C

OPTIONAL TROUGH
CONSTRUCTION



MODEL: HDRB25

DESCRIPTION: HEAVY DUTY ROLLER BED BELT CONVEYOR

LEWCO, INC. IS COMMITTED TO CONTINUOUS IMPROVEMENT AND RESERVES THE RIGHT TO CHANGE DESIGNS AND SPECIFICATIONS WITHOUT NOTICE.

THIS DRAWING MUST NOT BE COPIED, REPRODUCED OR USED FOR ANY PURPOSE WITHOUT THE WRITTEN CONSENT OF LEWCO, INC. ALL RIGHTS RESERVED.



706 LANE ST. SANDUSKY, OH 44870, U.S.A.