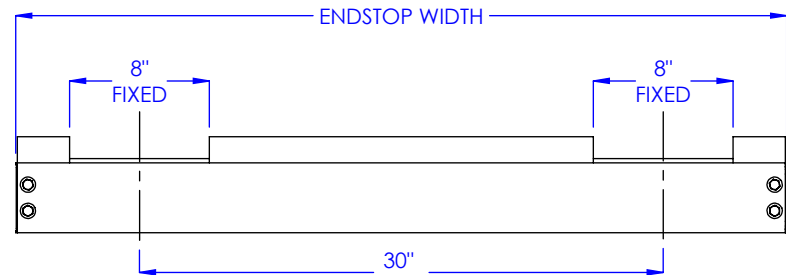
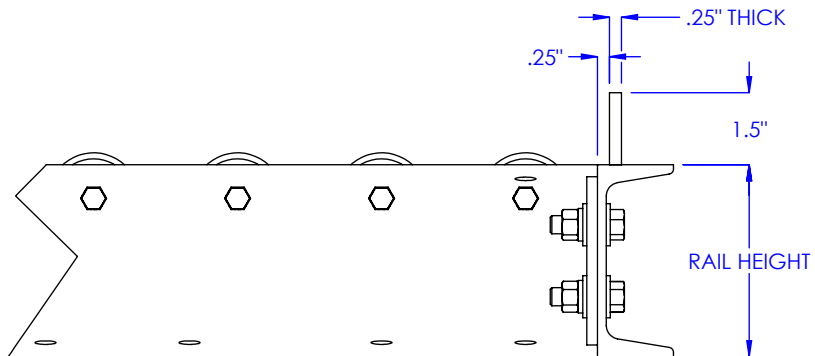


DESIGN FOR 22" TO 40" WIDE



DESIGN FOR 41" TO 93" WIDE



SPECIFICATIONS				
RAIL HEIGHT:	4"	5"	6"	8"
CHANNEL CONSTRUCTION:	4@5.4#	5@6.7#	6@8.2#	8@11.5#
WIDTH:	22" - 93"			

MODEL: ESTOP3

DESCRIPTION: END STOP, STRUCTURAL CHANNEL WITH FORK CUTOUTS

LEWCO, INC. IS COMMITTED TO CONTINUOUS IMPROVEMENT AND RESERVES THE RIGHT TO CHANGE DESIGNS AND SPECIFICATIONS WITHOUT NOTICE.

THIS DRAWING MUST NOT BE COPIED, REPRODUCED OR USED FOR ANY PURPOSE WITHOUT THE WRITTEN CONSENT OF LEWCO, INC. ALL RIGHTS RESERVED.



706 LANE ST. SANDUSKY, OH 44870, U.S.A.