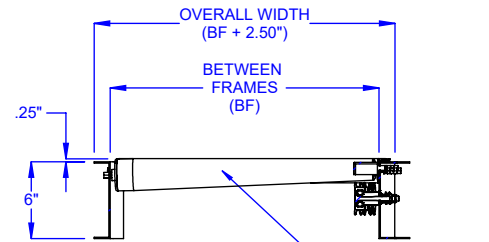
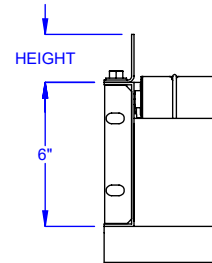


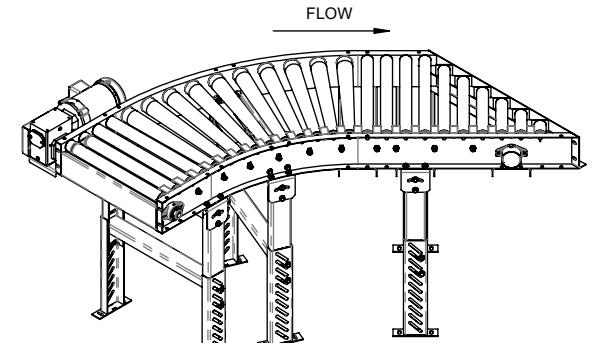
SECTION A-A



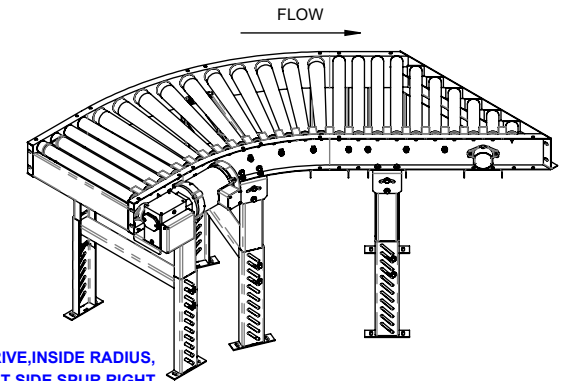
SECTION B-B TAPERED ROLLER



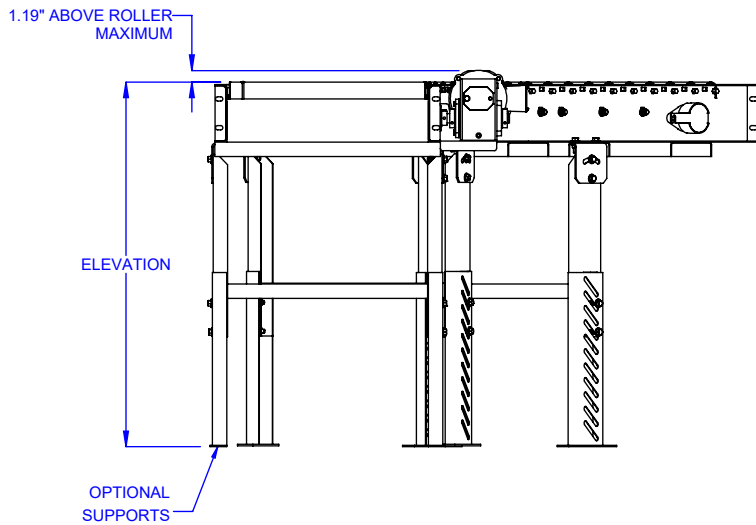
OPTIONAL GUARDRAIL



END DRIVE, OUTSIDE RADIUS, LEFT SIDE, SPUR RIGHT



END DRIVE, INSIDE RADIUS, RIGHT SIDE, SPUR RIGHT



BETWEEN FRAMES (BF)	OVERALL WIDTH (BF + 3.00)	INSIDE RADIUS (IR)	45 DEGREE SPUR				30 DEGREE SPUR				TOTAL NUMBER OF ROLLERS*		WEIGHT (LBS.)	
			L1	L2	L3	L4	L1	L2	L3	L4	45°	30°	45°	30°
13"	16"	32.50"	22.625"	26.500"	27.813"	52.656"	32"	37.625"	47.656"	51.406"	10 TAPERED 8 STRAIGHT	12 TAPERED 8 STRAIGHT	377	395
15"	18"		25.469"	28.500"	29.250"	54.094"	36"	40.563"	50.656"	53.125"			400	433
17"	20"		28.281"	30.500"	30.656"	55.500"	40"	44.031"	53.656"	54.875"			420	456
19"	22"		31.625"	32.500"	32.063"	46.906"	44"	47.500"	56.656"	46.594"			444	487
21"	24"		33.313"	33.313"	33.937"	58.313"	48"	50.656"	59.656"	58.344"			468	519
23"	26"	36.781"	36.500"	34.906"	59.719"	52"	54.563"	62.656"	60.063"	495	553			
25"	28"	39.594"	38.500"	36.938"	61.156"	56"	57.906"	65.656"	61.813"	523	589			
27"	30"	42.438"	40.500"	37.906"	62.563"	60"	61.375"	68.656"	63.219"	552	624			
31"	34"	48.094"	44.500"	45.125"	76.344"	68"	68.281"	86.656"	80.406"	707	830			
33"	36"	50.906"	46.500"	46.500"	77.781"	72"	71.750"	88.656"	82.156"	741	873			
37"	40"	56.563"	50.500"	49.344"	80.594"	80"	78.563"	91.656"	85.625"	823	962			
39"	42"	59.406"	52.500"	50.750"	82.031"	84"	82.156"	94.656"	87.344"	875	1065			

MAXIMUM LOAD DISTRIBUTED ON CONVEYOR IS 500 LBS - NOT TO EXCEED CAPACITY

MODEL: MDTLRS

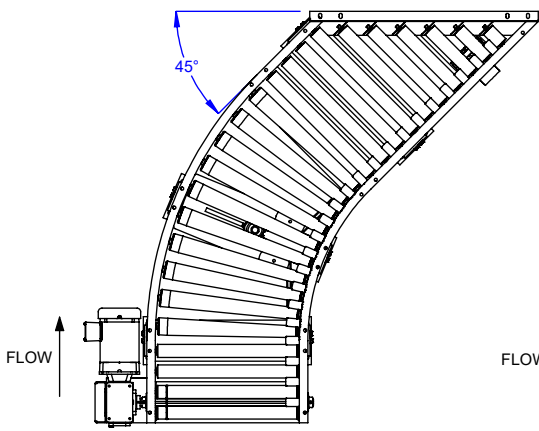
DESCRIPTION: MEDIUM DUTY TAPERED LIVE ROLLER SPUR

LEWCO, INC. IS COMMITTED TO CONTINUOUS IMPROVEMENT AND RESERVES THE RIGHT TO CHANGE DESIGNS AND SPECIFICATIONS WITHOUT NOTICE.

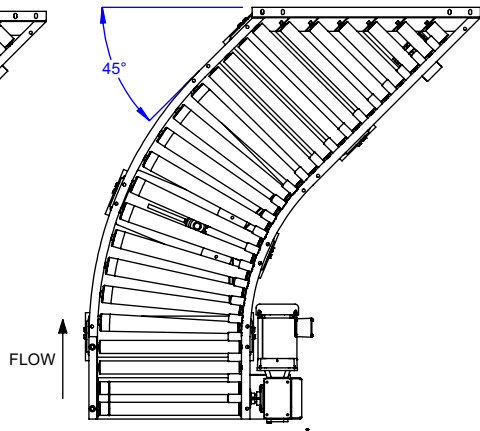
THIS DRAWING MUST NOT BE COPIED, REPRODUCED OR USED FOR ANY PURPOSE WITHOUT THE WRITTEN CONSENT OF LEWCO, INC. ALL RIGHTS RESERVED.



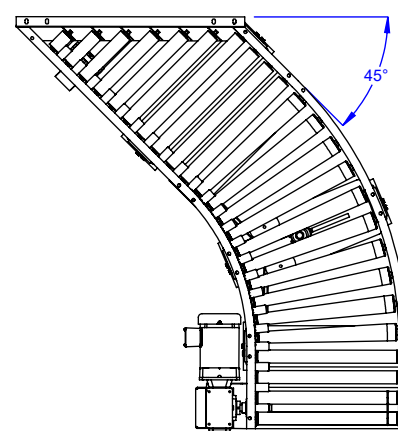
706 LANE ST. SANDUSKY, OH 44870, U.S.A.



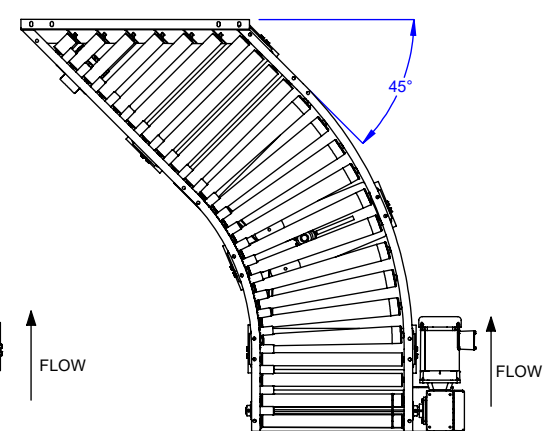
END DRIVE, OUTSIDE RADIUS,  
LEFT SIDE, SPUR RIGHT 45°



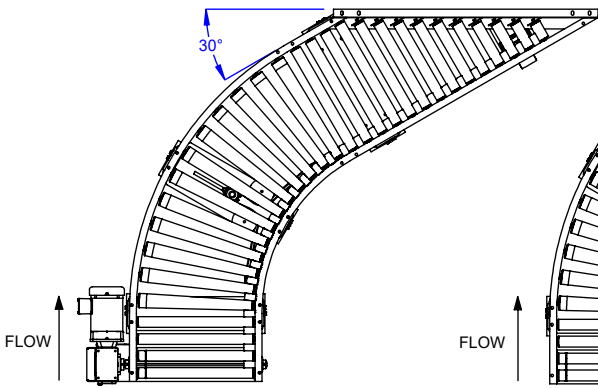
END DRIVE, INSIDE RADIUS,  
RIGHT SIDE, SPUR RIGHT 45°



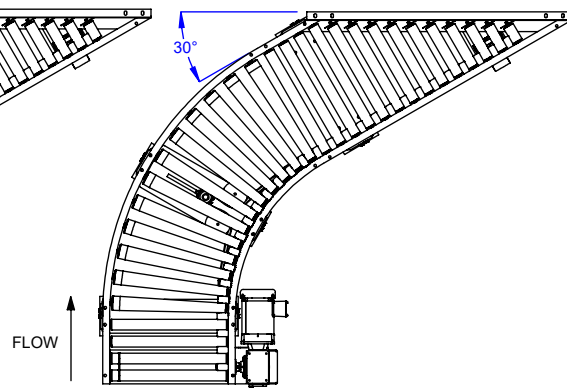
END DRIVE, INSIDE RADIUS,  
LEFT SIDE, SPUR LEFT 45°



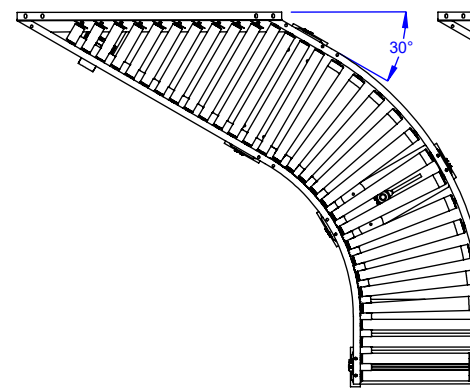
END DRIVE, OUTSIDE RADIUS,  
RIGHT SIDE, SPUR LEFT 45°



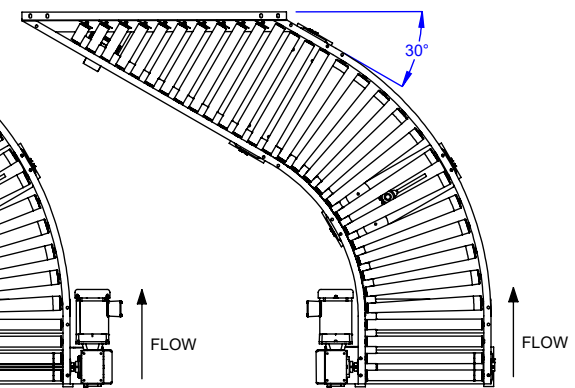
END DRIVE, OUTSIDE RADIUS,  
LEFT SIDE, SPUR RIGHT 30°



END DRIVE, INSIDE RADIUS,  
RIGHT SIDE, SPUR RIGHT 30°



END DRIVE, OUTSIDE RADIUS,  
RIGHT SIDE, SPUR LEFT 30°



END DRIVE, INSIDE RADIUS,  
LEFT SIDE, SPUR LEFT 30°

MODEL: MDTLRS

DESCRIPTION: MEDIUM DUTY TAPERED LIVE ROLLER SPUR

LEWCO, INC. IS COMMITTED TO CONTINUOUS  
IMPROVEMENT AND RESERVES THE RIGHT TO CHANGE  
DESIGNS AND SPECIFICATIONS WITHOUT NOTICE.

THIS DRAWING MUST NOT BE COPIED, REPRODUCED  
OR USED FOR ANY PURPOSE WITHOUT THE WRITTEN  
CONSENT OF LEWCO, INC. ALL RIGHTS RESERVED.

**LEWCO**

706 LANE ST. SANDUSKY, OH 44870, U.S.A.