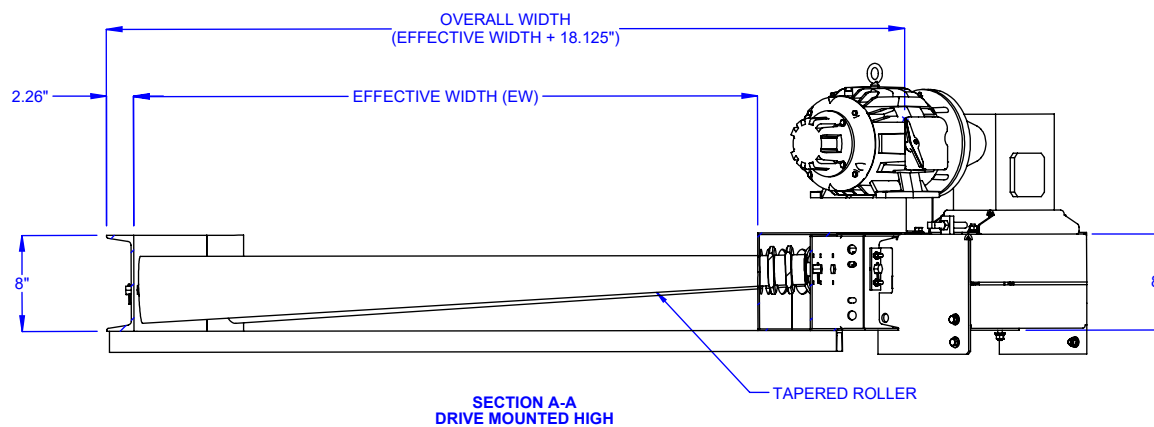


DRIVE MOUNTED HIGH



EFFECTIVE WIDTH	FRAME WIDTH	INSIDE RADIUS	EFFECTIVE INSIDE RADIUS	EFFECTIVE OUTSIDE RADIUS	NUMBER OF ROLLERS
19"	26.375"	37.625"	42"	61"	14
21"	28.375"			63"	
25"	32.375"			67"	
31"	38.375"			73"	
35"	42.375"			77"	
39"	46.375"			81"	
43"	50.375"			85"	
49"	56.375"			91"	
52"	59.375"			94"	
61"	68.375"			103"	

MAXIMUM LOAD DISTRIBUTED ON CONVEYOR IS 4000 LB - NOT TO EXCEED CAPACITY

MODEL: CDTRC

DESCRIPTION: CHAIN DRIVEN TAPERED ROLLER CONVEYOR CURVE

LEWCO, INC. IS COMMITTED TO CONTINUOUS IMPROVEMENT AND RESERVES THE RIGHT TO CHANGE DESIGNS AND SPECIFICATIONS WITHOUT NOTICE.

THIS DRAWING MUST NOT BE COPIED, REPRODUCED OR USED FOR ANY PURPOSE WITHOUT THE WRITTEN CONSENT OF LEWCO, INC. ALL RIGHTS RESERVED.



706 LANE ST. SANDUSKY, OH 44870, U.S.A.