

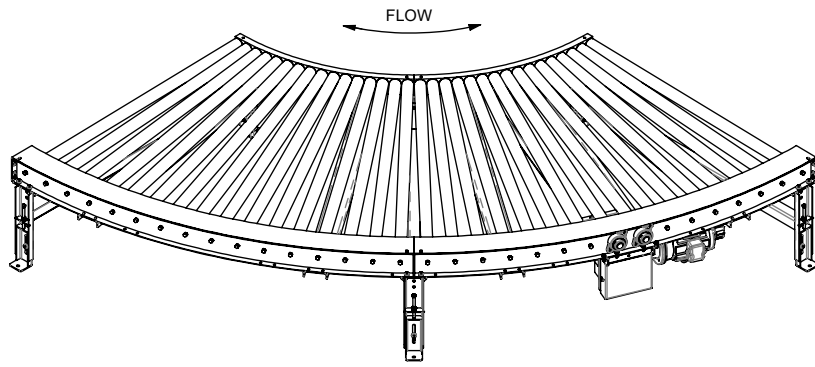
EFFECTIVE WIDTH	FRAME WIDTH	OUTSIDE RADIUS	EFFECTIVE OUTSIDE RADIUS	EFFECTIVE INSIDE RADIUS	NUMBER OF ROLLERS
13"	20.375"	81.250"	76.875"	63.875"	22
17"	24.375"			59.875"	
19"	26.375"			57.875"	
21"	28.375"			55.875"	
25"	32.375"			51.875"	
31"	38.375"			45.875"	
35"	42.375"			41.875"	
39"	46.375"	117.000"	112.625"	37.875"	32
43"	50.375"			69.625"	
49"	56.375"			63.625"	
61"	68.375"			51.625"	

MAXIMUM LOAD DISTRIBUTED ON CONVEYOR IS 4000 LB - NOT TO EXCEED CAPACITY

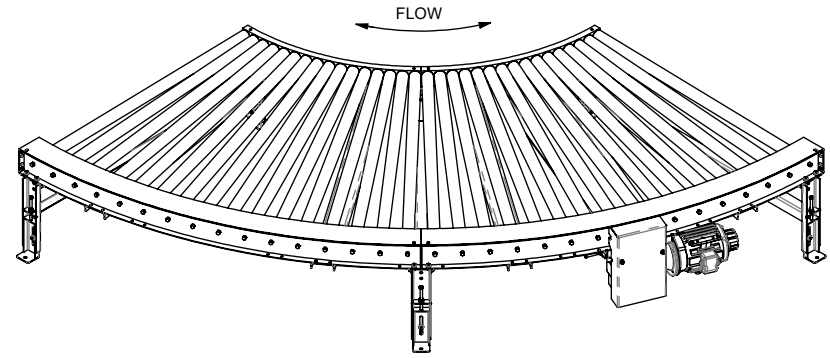
MODEL: CDRC25
DESCRIPTION: CHAIN DRIVEN LIVE ROLLER CONVEYOR CURVE

LEWCO, INC. IS COMMITTED TO CONTINUOUS IMPROVEMENT AND RESERVES THE RIGHT TO CHANGE DESIGNS AND SPECIFICATIONS WITHOUT NOTICE.
 THIS DRAWING MUST NOT BE COPIED, REPRODUCED OR USED FOR ANY PURPOSE WITHOUT THE WRITTEN CONSENT OF LEWCO, INC. ALL RIGHTS RESERVED.

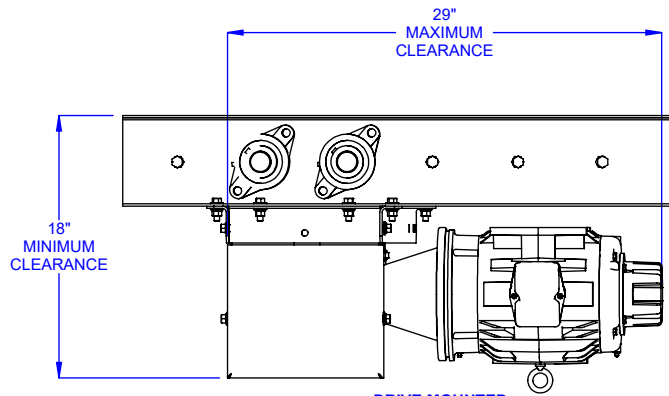




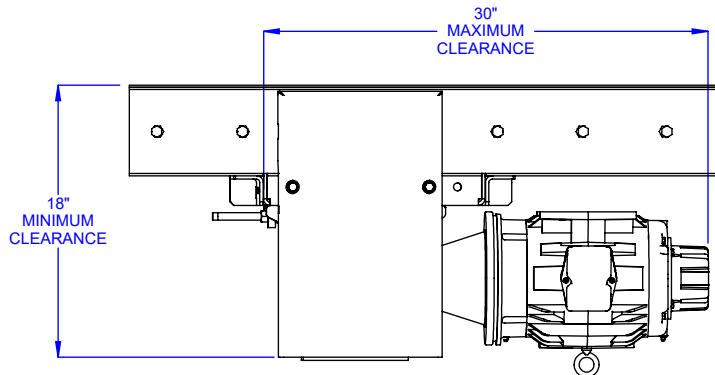
DRIVE MOUNTED BELOW AND WITHIN



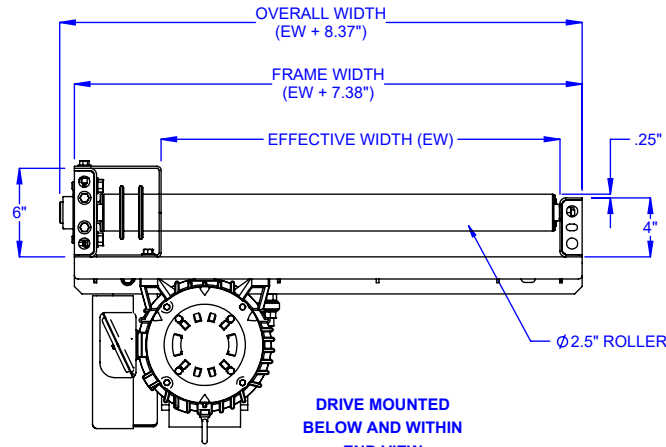
DRIVE MOUNTED LOW



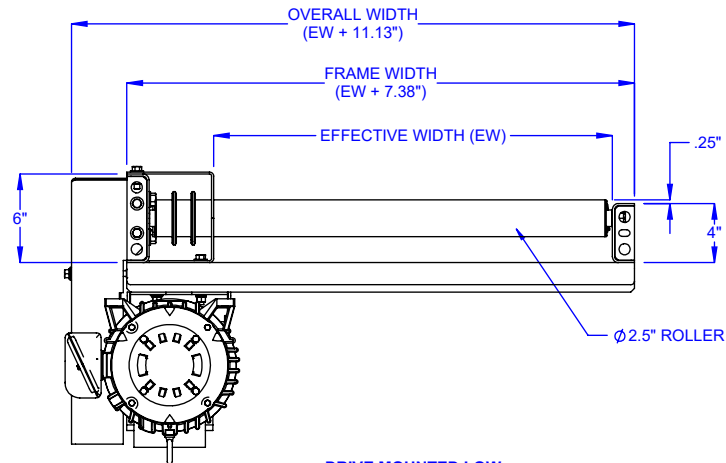
DRIVE MOUNTED BELOW AND WITHIN OPTION



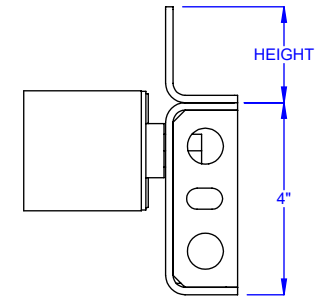
DRIVE MOUNTED LOW OPTION



DRIVE MOUNTED BELOW AND WITHIN END VIEW



DRIVE MOUNTED LOW END VIEW



OPTIONAL GUARDRAIL (INSIDE RADIUS)

MODEL: CDRC25

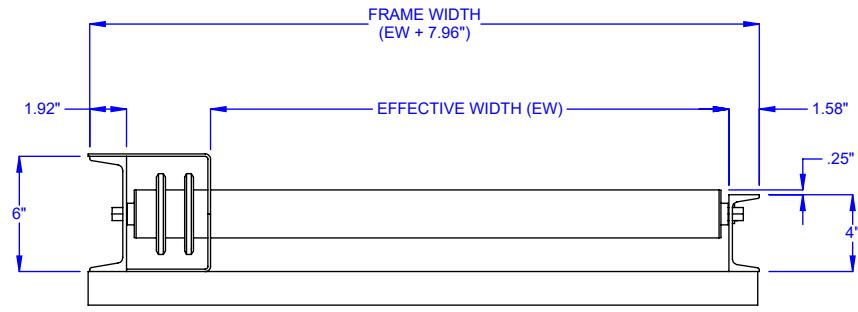
DESCRIPTION: CHAIN DRIVEN LIVE ROLLER CONVEYOR CURVE

LEWCO, INC. IS COMMITTED TO CONTINUOUS IMPROVEMENT AND RESERVES THE RIGHT TO CHANGE DESIGNS AND SPECIFICATIONS WITHOUT NOTICE.

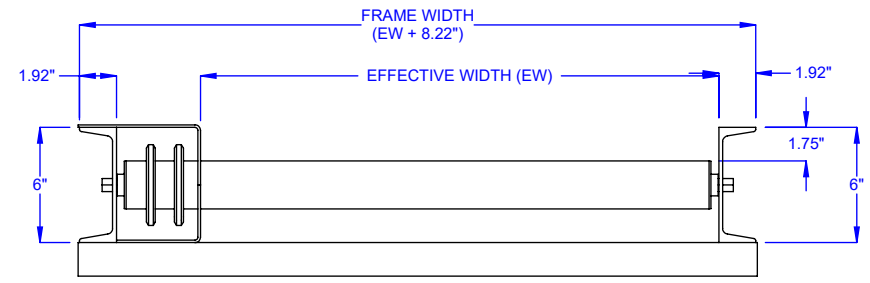
THIS DRAWING MUST NOT BE COPIED, REPRODUCED OR USED FOR ANY PURPOSE WITHOUT THE WRITTEN CONSENT OF LEWCO, INC. ALL RIGHTS RESERVED.

LEWCO

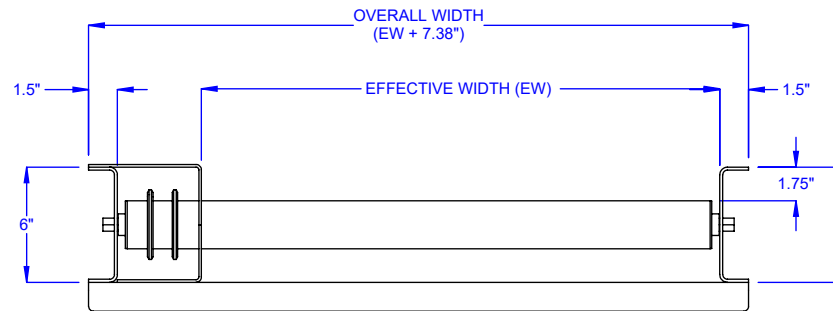
706 LANE ST. SANDUSKY, OH 44870, U.S.A.



OPTIONAL FRAME
STRUCTURAL CHANNEL, 6" x 8.2# & 4" x 5.4#



OPTIONAL FRAME
STRUCTURAL CHANNEL, 6" x 8.2#



OPTIONAL FRAME
FORMED 8 GA. CHANNEL, 6" x 1-1/2"

MODEL: CDRC25

DESCRIPTION: CHAIN DRIVEN LIVE ROLLER CONVEYOR CURVE

LEWCO, INC. IS COMMITTED TO CONTINUOUS
IMPROVEMENT AND RESERVES THE RIGHT TO CHANGE
DESIGNS AND SPECIFICATIONS WITHOUT NOTICE.

THIS DRAWING MUST NOT BE COPIED, REPRODUCED
OR USED FOR ANY PURPOSE WITHOUT THE WRITTEN
CONSENT OF LEWCO, INC. ALL RIGHTS RESERVED.

LEWCO

706 LANE ST. SANDUSKY, OH 44870, U.S.A.