

END VIEW
DRIVE MOUNTED HIGH
FORMED 8 GA. CHANNEL, 5" x 1-1/2" & 3-1/2" x 1-1/2"

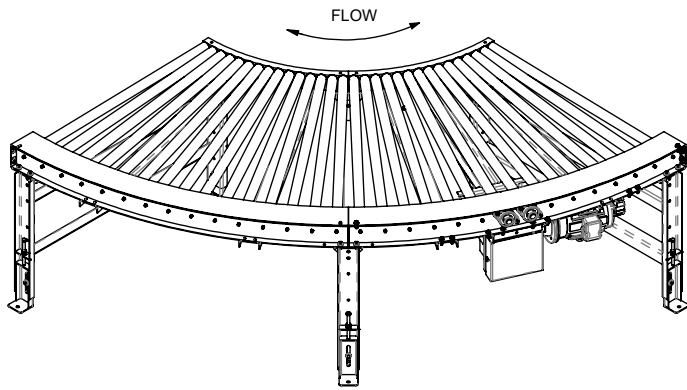
EFFECTIVE WIDTH	FRAME WIDTH	OUTSIDE RADIUS	EFFECTIVE OUTSIDE RADIUS	EFFECTIVE INSIDE RADIUS	NUMBER OF ROLLERS
13"	20.375"	53.625"	49.250"	36.250"	18
17"	24.375"			32.250"	
19"	26.375"			30.250"	
21"	28.375"			28.250"	
25"	32.375"	88.000"	83.625"	24.250"	30
31"	38.375"			52.625"	
39"	46.375"			44.625"	

MAXIMUM LOAD DISTRIBUTED ON CONVEYOR IS 2500 LB - NOT TO EXCEED CAPACITY

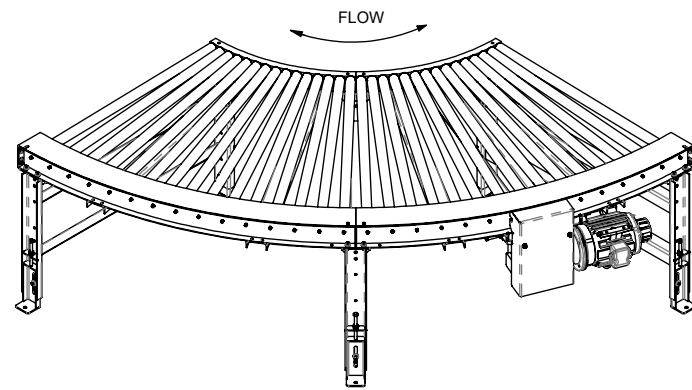
MODEL: CDRC19
DESCRIPTION: CHAIN DRIVEN LIVE ROLLER CONVEYOR CURVE

LEWCO, INC. IS COMMITTED TO CONTINUOUS IMPROVEMENT AND RESERVES THE RIGHT TO CHANGE DESIGNS AND SPECIFICATIONS WITHOUT NOTICE.
 THIS DRAWING MUST NOT BE COPIED, REPRODUCED OR USED FOR ANY PURPOSE WITHOUT THE WRITTEN CONSENT OF LEWCO, INC. ALL RIGHTS RESERVED.

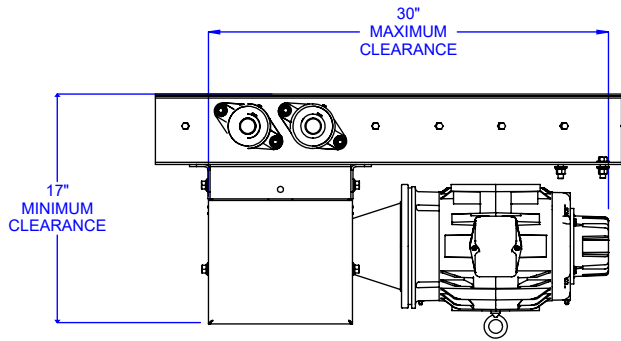




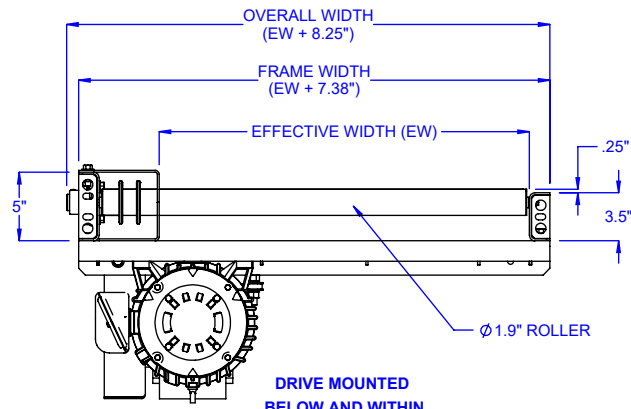
DRIVE MOUNTED BELOW AND WITHIN



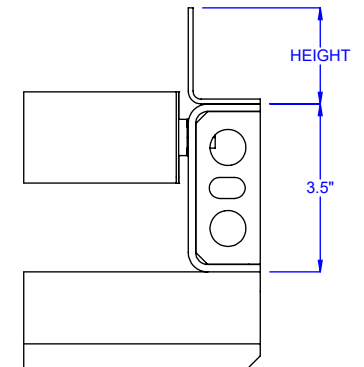
DRIVE MOUNTED LOW



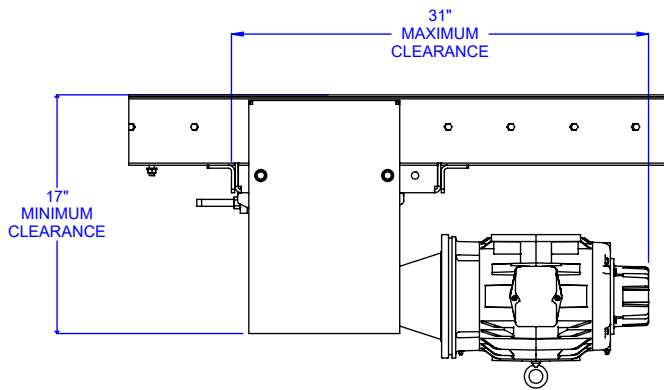
DRIVE MOUNTED BELOW AND WITHIN OPTION



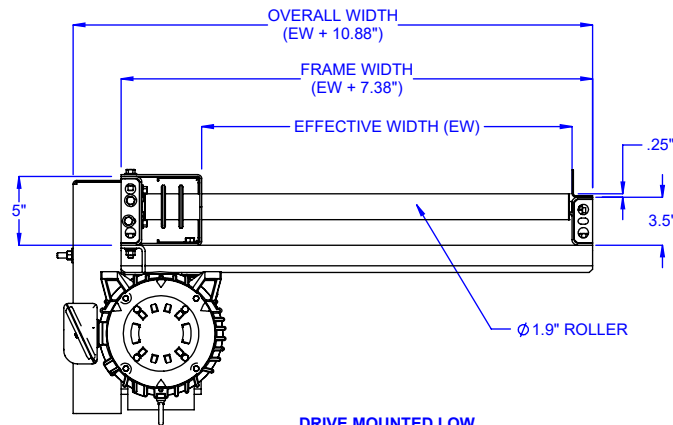
DRIVE MOUNTED BELOW AND WITHIN END VIEW



OPTIONAL GUARDRAIL (INSIDE RADIUS)



DRIVE MOUNTED LOW OPTION



DRIVE MOUNTED LOW END VIEW

MODEL: CDRC19

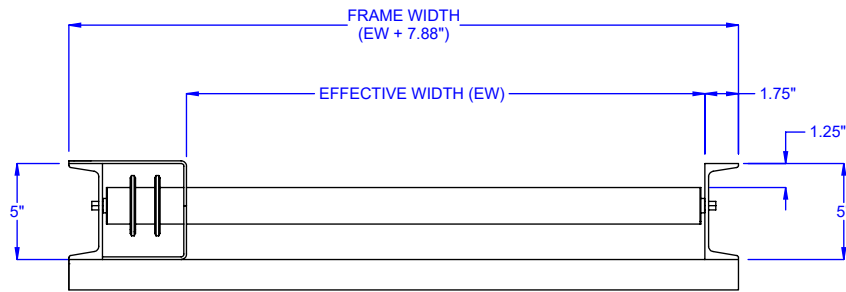
DESCRIPTION: CHAIN DRIVEN LIVE ROLLER CONVEYOR CURVE

LEWCO, INC. IS COMMITTED TO CONTINUOUS IMPROVEMENT AND RESERVES THE RIGHT TO CHANGE DESIGNS AND SPECIFICATIONS WITHOUT NOTICE.

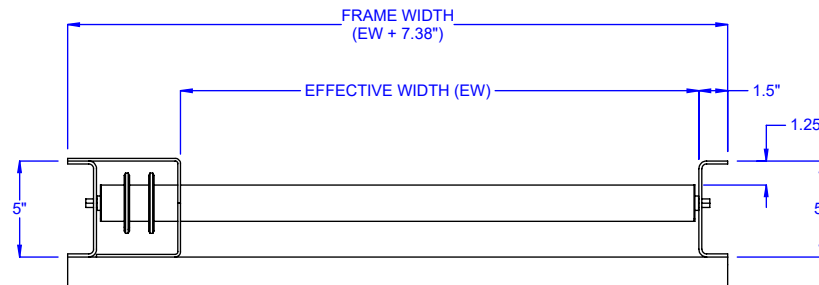
THIS DRAWING MUST NOT BE COPIED, REPRODUCED OR USED FOR ANY PURPOSE WITHOUT THE WRITTEN CONSENT OF LEWCO, INC. ALL RIGHTS RESERVED.



706 LANE ST. SANDUSKY, OH 44870, U.S.A.



OPTIONAL FRAME
STRUCTURAL CHANNEL, 5" x 6.7#



OPTIONAL FRAME
FORMED 8 GA. CHANNEL, 5" x 1-1/2"

MODEL: CDRC19

DESCRIPTION: CHAIN DRIVEN LIVE ROLLER CONVEYOR CURVE

LEWCO, INC. IS COMMITTED TO CONTINUOUS IMPROVEMENT AND RESERVES THE RIGHT TO CHANGE DESIGNS AND SPECIFICATIONS WITHOUT NOTICE.

THIS DRAWING MUST NOT BE COPIED, REPRODUCED OR USED FOR ANY PURPOSE WITHOUT THE WRITTEN CONSENT OF LEWCO, INC. ALL RIGHTS RESERVED.