

LOAD CAPACITY @ 60 FPM (LBS) 4" ROLLER CENTERS, 20 FT LENGTH			
HP	WIDTH		
	15"	27"	39"
1/2	500	450	400
3/4	900	850	750
1	1250	1200	1100
1 1/2	1700	1650	1550
LOAD CAPACITY @ 30 FPM (LBS) 4" ROLLER CENTERS, 20 FT LENGTH			
HP	WIDTH		
	15"	27"	39"
1/2	1250	1200	1150
3/4	1700	1650	1550
1	1700	1650	1550
1 1/2	1700	1650	1550
MAXIMUM LOAD PER LINEAR FOOT OF CONVEYOR IS 200 POUNDS - NOT TO EXCEED CAPACITY ABOVE			

MODEL: BDLR19

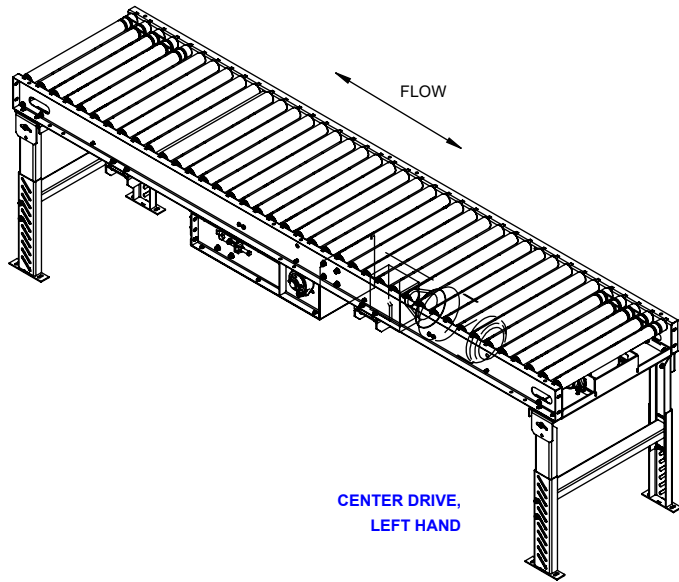
DESCRIPTION: BELT DRIVEN LIVE ROLLER CONVEYOR

LEWCO, INC. IS COMMITTED TO CONTINUOUS IMPROVEMENT AND RESERVES THE RIGHT TO CHANGE DESIGNS AND SPECIFICATIONS WITHOUT NOTICE.

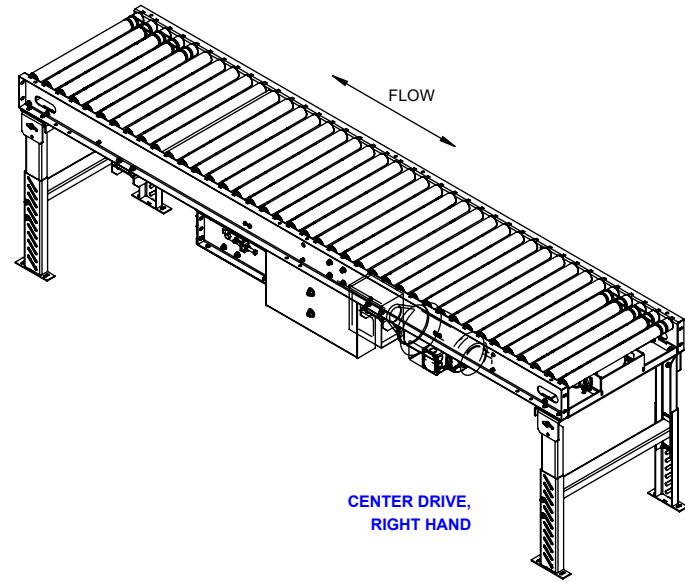
THIS DRAWING MUST NOT BE COPIED, REPRODUCED OR USED FOR ANY PURPOSE WITHOUT THE WRITTEN CONSENT OF LEWCO, INC. ALL RIGHTS RESERVED.

LEWCO

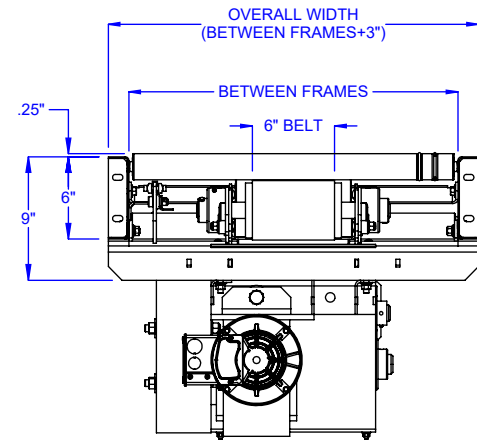
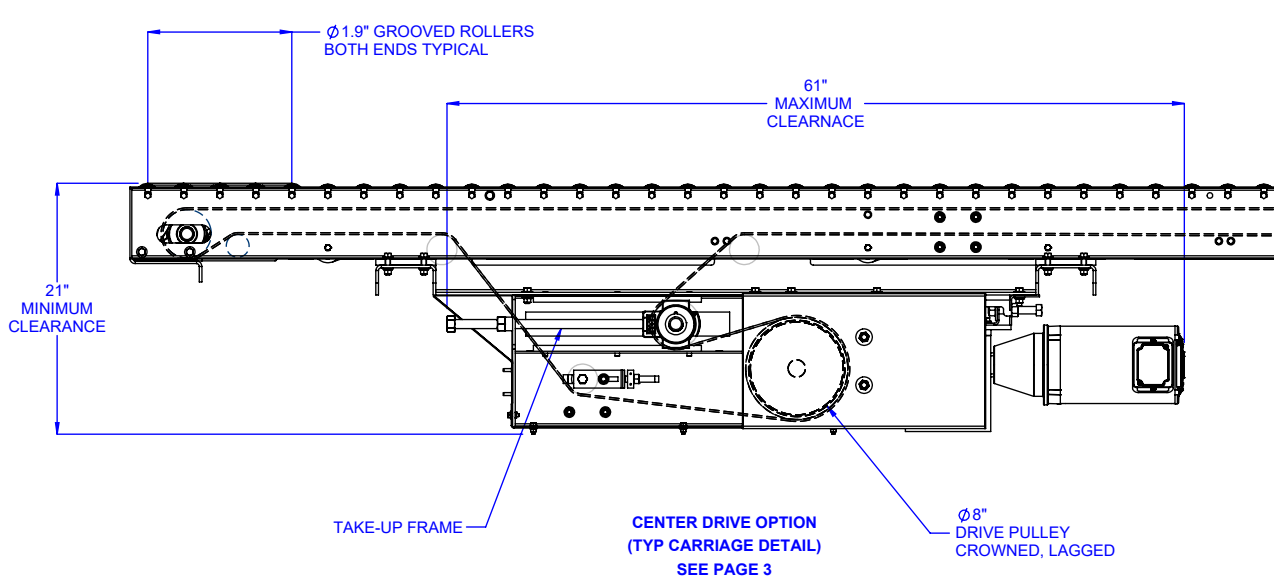
706 LANE ST. SANDUSKY, OH 44870, U.S.A.



CENTER DRIVE,
LEFT HAND



CENTER DRIVE,
RIGHT HAND



CENTER DRIVE
END VIEW

MODEL: BDLR19

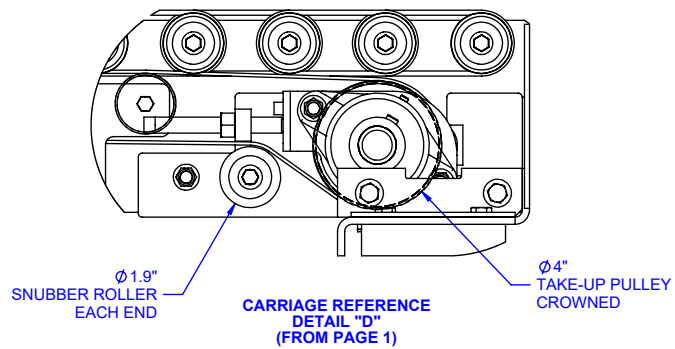
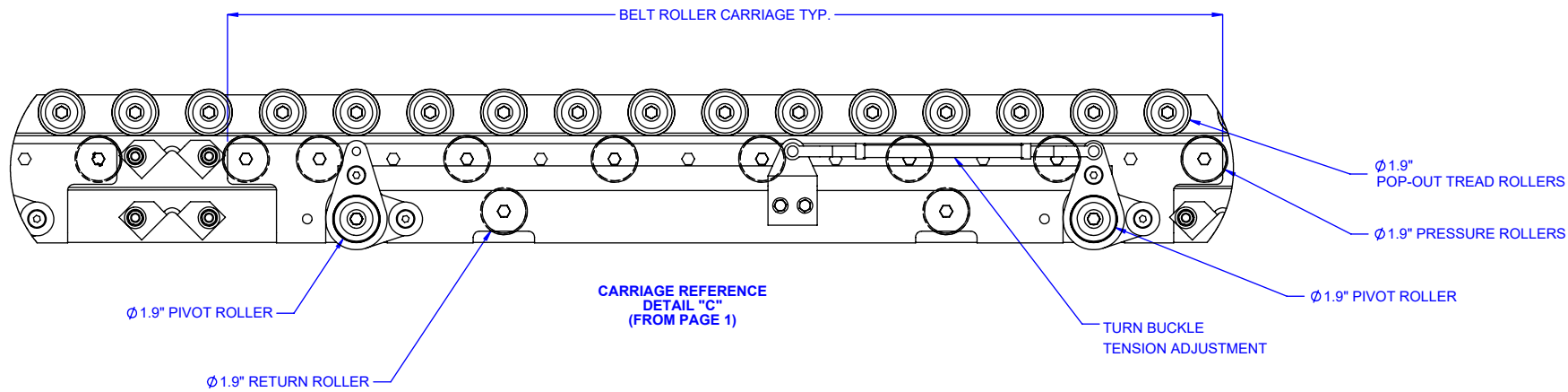
DESCRIPTION: BELT DRIVEN LIVE ROLLER CONVEYOR

LEWCO, INC. IS COMMITTED TO CONTINUOUS IMPROVEMENT AND RESERVES THE RIGHT TO CHANGE DESIGNS AND SPECIFICATIONS WITHOUT NOTICE.

THIS DRAWING MUST NOT BE COPIED, REPRODUCED OR USED FOR ANY PURPOSE WITHOUT THE WRITTEN CONSENT OF LEWCO, INC. ALL RIGHTS RESERVED.



706 LANE ST. SANDUSKY, OH 44870, U.S.A.



MODEL: BDLR19
DESCRIPTION: BELT DRIVEN LIVE ROLLER CONVEYOR

LEWCO, INC. IS COMMITTED TO CONTINUOUS IMPROVEMENT AND RESERVES THE RIGHT TO CHANGE DESIGNS AND SPECIFICATIONS WITHOUT NOTICE.

THIS DRAWING MUST NOT BE COPIED, REPRODUCED OR USED FOR ANY PURPOSE WITHOUT THE WRITTEN CONSENT OF LEWCO, INC. ALL RIGHTS RESERVED.



706 LANE ST. SANDUSKY, OH 44870, U.S.A.