

MDBC – Medium Duty Slider Bed Belt Curve

Model MDBC is a powered belt curve ideal for applications where product orientation is required through the curve. Unlike roller curves, the belt prevents the product from drifting or skewing through the turn.

Belt Width

- 12", 18", 24", 30", 36", 42", 48"

Degrees

- 45°, 90°, 180°

Belt

- Thermoplastic polyurethane (TPU) Covered Belt
- Optional:
 - PVC Food grade, White

Drive Location

- End Drive, Bottom Right
- Optional:
 - End Drive, Bottom, Left
 - End Drive, Side, Right or Left

Motor

- 1/2 HP to 1-1/2 HP
- Totally Enclosed Fan Cooled motor
- Optional:
 - Inverter Duty motor
 - Power Off Brake motor
- Voltage: 230/460/ 3Ph/ 60hz
- Optional:
 - 115V/ 1Ph/ 60Hz
 - 208V/ 1Ph/ 60Hz
 - 230V/ 1Ph/ 60Hz
 - 575V/ 3Ph/ 60Hz
 - 90V DC

Speed

- 15 to 100 FPM (feet per minute)
- Reverse capability optional

Control Options

- No controls (provided by others)
- Variable Speed Controller
- Combination motor starter with disconnect, fixed speed
- Combination motor starter with disconnect, variable speed
- PLC with HMI

Conveyor Color

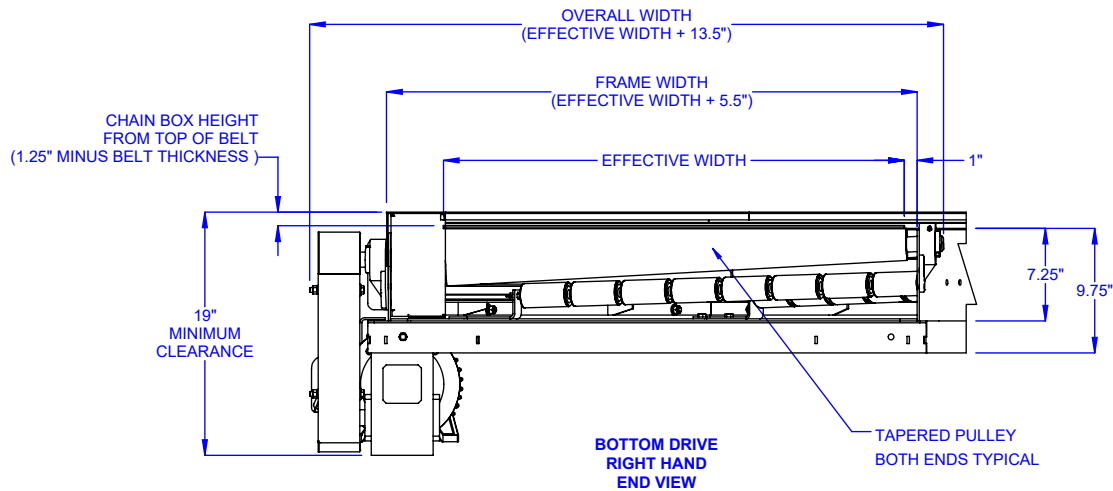
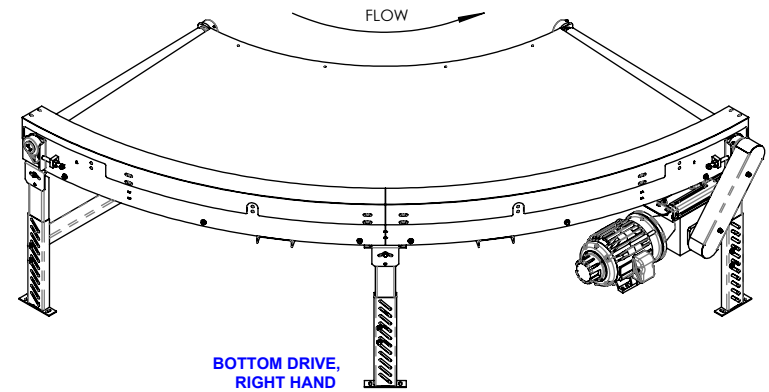
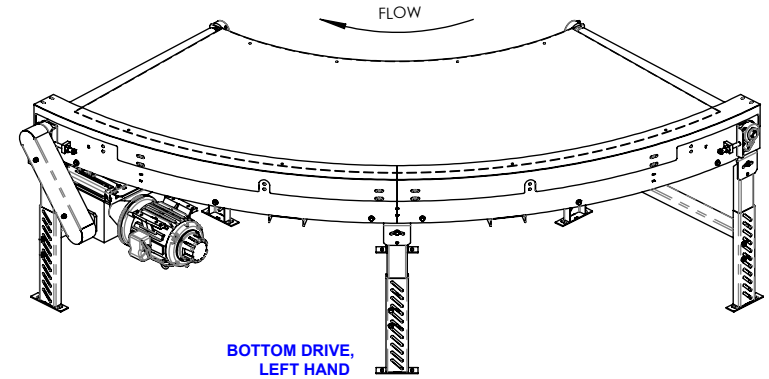
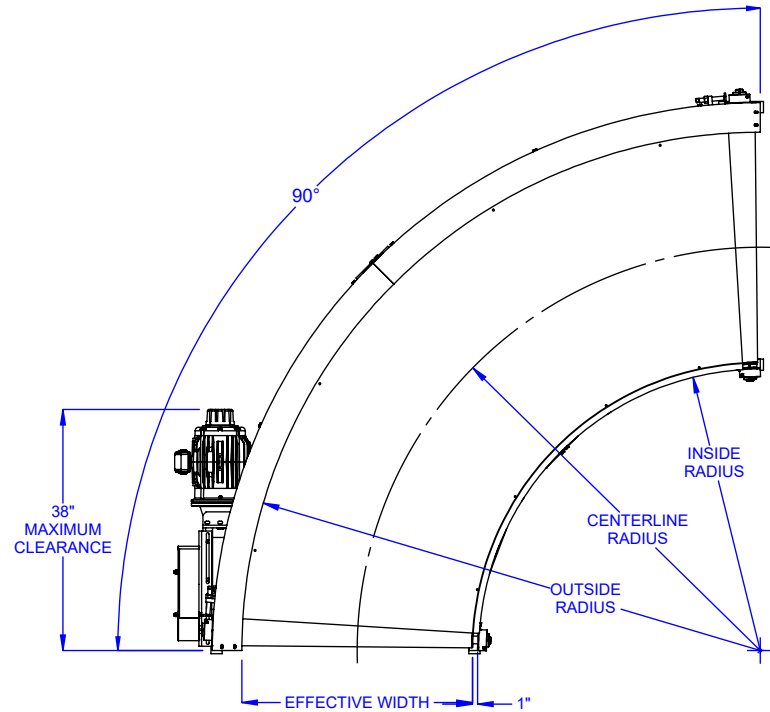
- Blue (RAL 5017)
- Guards are yellow (RAL 1023)
- Moving parts are bright red orange (RAL 2008).
- Optional:
 - Light Gray (RAL 7035)
 - Repose Gray (not an RAL)
 - Patina Green (RAL 6000)
 - Signal White (RAL 9003)
 - Jet Black (RAL 9005)
 - Flat Black (not an RAL)
 - Custom colors available

Additional Options

- Conveyor Supports with or without casters
- Guardrail
- Photo Eye Sensor(s)
- Custom sizes and features available. Please consult a LEWCO Applications Engineer for more information.

Quality Assurance

- Each unit comes complete with a (1) year warranty.
- Manufactured under ISO 9001 Quality Certified System.



*** DRIVE IS STANDARD ON OUTSIDE RADIUS**

EFFECTIVE WIDTH	FRAME WIDTH	INSIDE RADIUS	CENTERLINE RADIUS	OUTSIDE RADIUS
12"	17.50"	33"	39"	45"
18"	23.50"	39"	48"	57"
24"	29.50"	33"	45"	57"
30"	35.50"	51"	66"	81"
36"	41.50"	45"	63"	81"
42"	47.50"	39"	60"	81"
48"	51.50"	33"	57"	81"

MAXIMUM LOAD 850 LBS EVENLY DISTRIBUTED

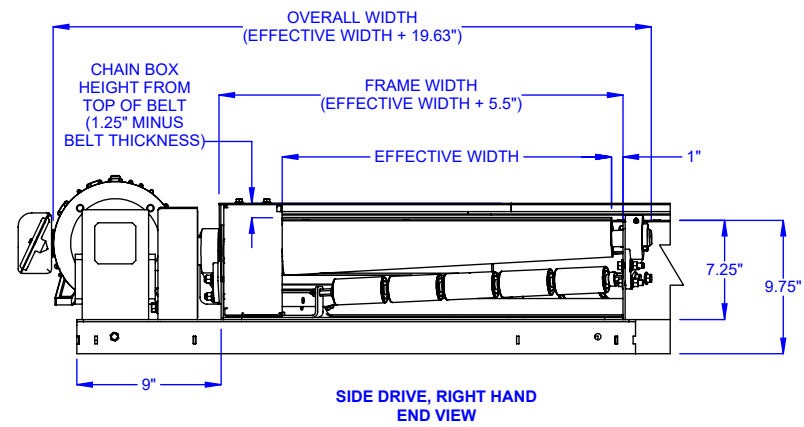
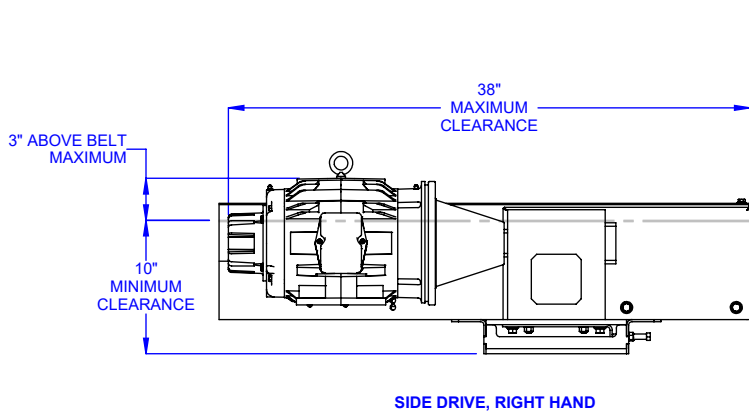
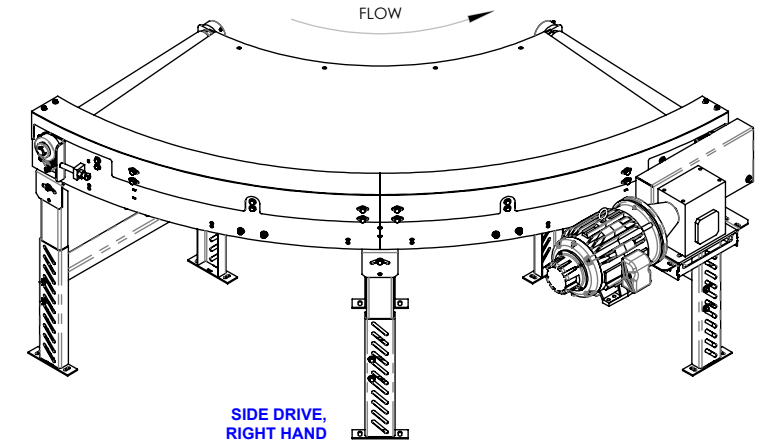
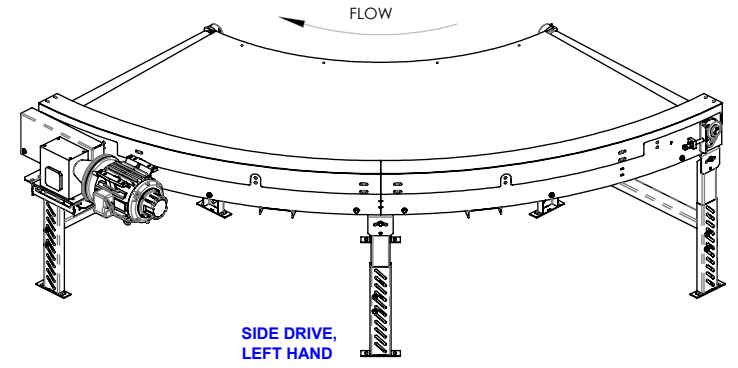
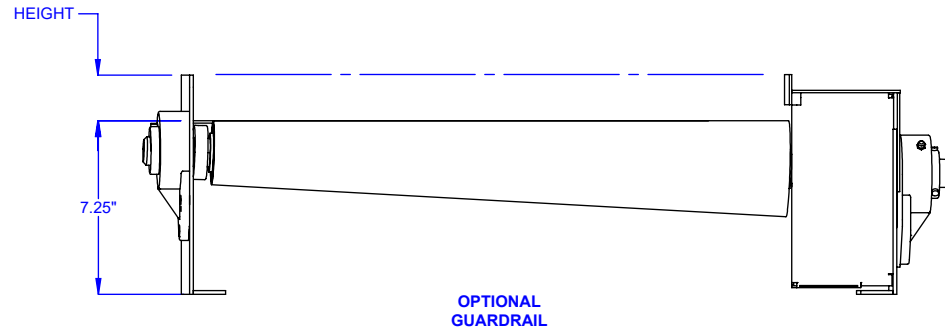
MODEL: MDBC
DESCRIPTION: MEDIUM DUTY BELT CURVE

LEWCO, INC. IS COMMITTED TO CONTINUOUS IMPROVEMENT AND RESERVES THE RIGHT TO CHANGE DESIGNS AND SPECIFICATIONS WITHOUT NOTICE.

THIS DRAWING MUST NOT BE COPIED, REPRODUCED OR USED FOR ANY PURPOSE WITHOUT THE WRITTEN CONSENT OF LEWCO, INC. ALL RIGHTS RESERVED.



706 LANE ST. SANDUSKY, OH 44870, U.S.A.



* DRIVE IS STANDARD ON OUTSIDE RADIUS

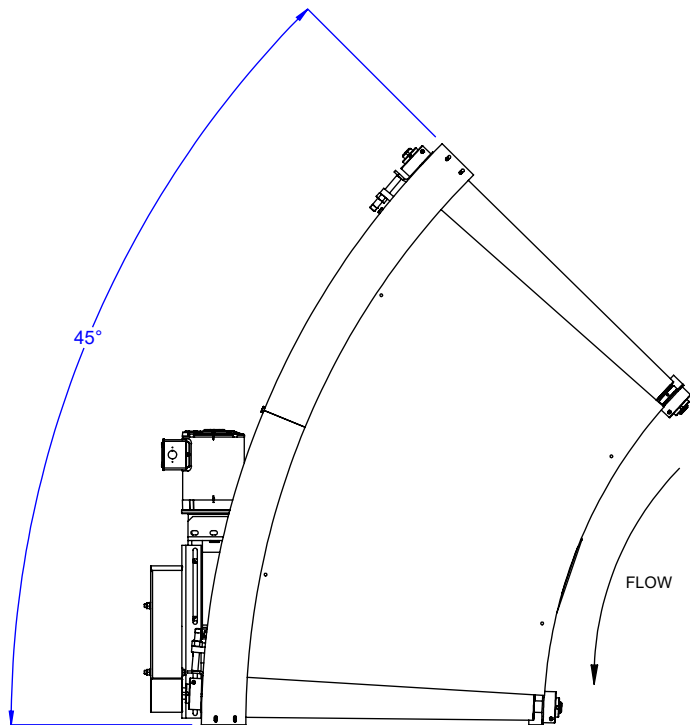
MODEL: MDBC
 DESCRIPTION: MEDIUM DUTY BELT CURVE

LEWCO, INC. IS COMMITTED TO CONTINUOUS IMPROVEMENT AND RESERVES THE RIGHT TO CHANGE DESIGNS AND SPECIFICATIONS WITHOUT NOTICE.

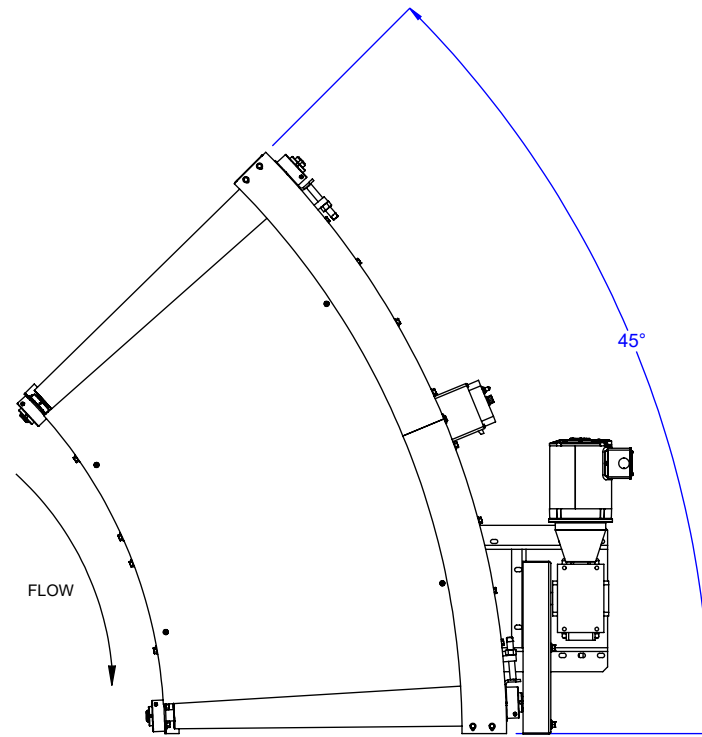
THIS DRAWING MUST NOT BE COPIED, REPRODUCED OR USED FOR ANY PURPOSE WITHOUT THE WRITTEN CONSENT OF LEWCO, INC. ALL RIGHTS RESERVED.

LEWCO

706 LANE ST. SANDUSKY, OH 44870, U.S.A.



**BOTTOM DRIVE, RIGHT HAND
45° OPTION SHOWN**



**SIDE DRIVE, LEFT HAND
45° OPTION SHOWN**

45 DEGREE OPTIONS

**BOTTOM DRIVE OR SIDE DRIVE
RIGHT HAND OR LEFT HAND**

MODEL: MDBC

DESCRIPTION: MEDIUM DUTY BELT CURVE

LEWCO, INC. IS COMMITTED TO CONTINUOUS IMPROVEMENT AND RESERVES THE RIGHT TO CHANGE DESIGNS AND SPECIFICATIONS WITHOUT NOTICE.

THIS DRAWING MUST NOT BE COPIED, REPRODUCED OR USED FOR ANY PURPOSE WITHOUT THE WRITTEN CONSENT OF LEWCO, INC. ALL RIGHTS RESERVED.



706 LANE ST. SANDUSKY, OH 44870, U.S.A.