

HDSB – Heavy Duty Slider Bed

Model HDSB is a heavy duty slider bed belt conveyor with box style smooth side bed section. These conveyors are often used in industrial applications such as automotive, appliance, stamping and assembly applications.

Belt Width

- 12", 18", 24", 30", 36", 48", 60", 72"

Length

- 60" to 1,200"

Belt

- PVC120 EMB embossed cover with clipper lacing.
- Optional:
 - PVC120 smooth top
 - PVC150 rough top
 - PVC 120, Black, friction both sides
 - PVC Food grade, White
 - Thermoplastic polyurethane (TPU) Covered Belt
 - PVC longitudinal groove
 - No Belt
- V-Guided Belt design also available.

Drive Location

- End Drive, Bottom Right
- Optional:
 - End Drive, Bottom, Left
 - End Drive, Side, Right or Left
 - Center Drive, Right or Left (standard for conveyors with reverse)

Motor

- 3/4 HP to 2 HP
- Totally Enclosed Fan Cooled motor
- Optional:
 - Inverter Duty motor
 - Power Off Brake motor
- Voltage: 230/460/ 3Ph/ 60hz
- Optional:
 - 115V/ 1Ph/ 60Hz
 - 208V/ 1Ph/ 60Hz
 - 230V/ 1Ph/ 60Hz
 - 575V/ 3Ph/ 60Hz
 - 90V DC

Speed

- 15 to 150 FPM (feet per minute)
- Reverse capability optional

Control Options

- No controls (provided by others)
- Variable Speed Controller
- Combination motor starter with disconnect, fixed speed
- Combination motor starter with disconnect, variable speed
- PLC with HMI

Conveyor Color

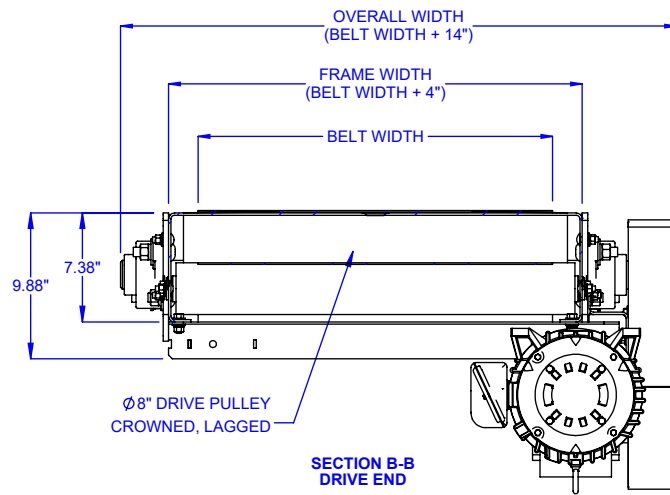
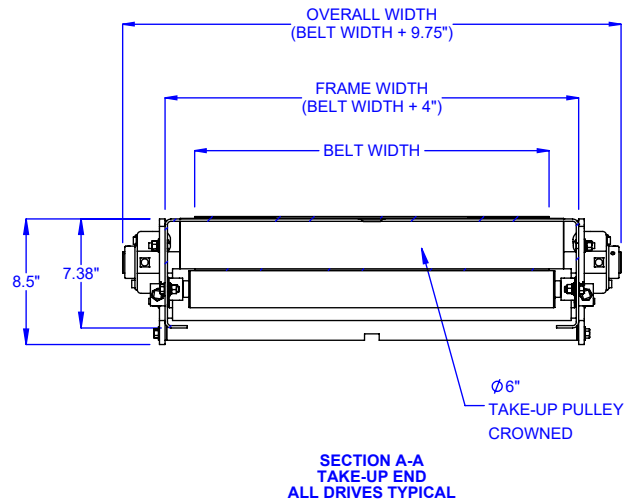
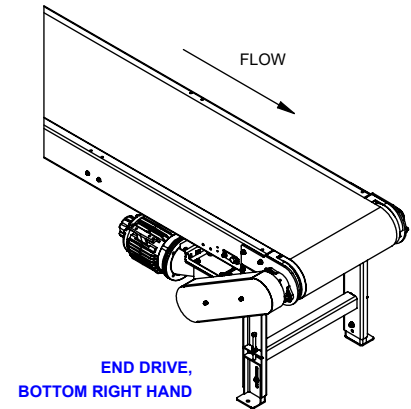
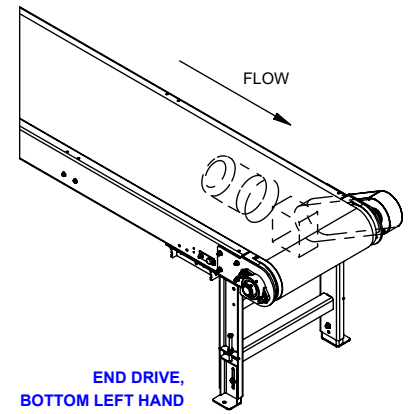
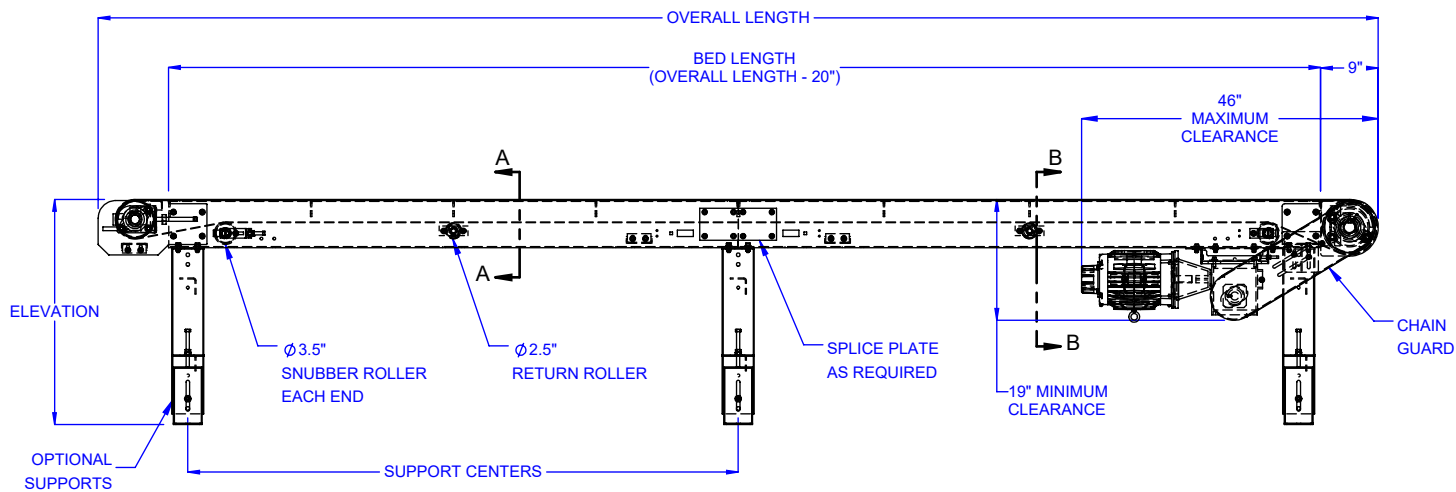
- Blue (RAL 5017)
- Guards are yellow (RAL 1023)
- Moving parts are bright red orange (RAL 2008).
- Optional:
 - Light Gray (RAL 7035)
 - Repose Gray (not an RAL)
 - Patina Green (RAL 6000)
 - Signal White (RAL 9003)
 - Jet Black (RAL 9005)
 - Flat Black (not an RAL)
 - Custom colors available

Additional Options

- Conveyor Supports with or without casters
- Guardrail
- Photo Eye Sensor(s)
- Custom sizes and features available. Please consult a LEWCO Applications Engineer for more information.

Quality Assurance

- Each unit comes complete with a (1) year warranty.
- Manufactured under ISO 9001 Quality Certified System.



LOAD CAPACITY @ 60 FPM (LBS)						
HP	WIDTH					
	12"	24"	36"	48"	60"	72"
3/4	440	425	410	400	385	375
1	590	580	560	550	540	525
1 1/2	900	885	870	850	840	830
2	1200	1190	1180	1160	1150	1140
LOAD CAPACITY @ 30 FPM (LBS)						
HP	WIDTH					
	12"	24"	36"	48"	60"	72"
3/4	890	880	870	855	840	830
1	1190	1180	1170	1160	1150	1130
1 1/2	1800	1795	1785	1770	1760	1740
2	2420	2410	2400	2380	2370	2360
MAXIMUM LOAD PER LINEAR FOOT OF CONVEYOR IS 200 POUNDS - NOT TO EXCEED CAPACITY ABOVE						

MODEL: HDSB

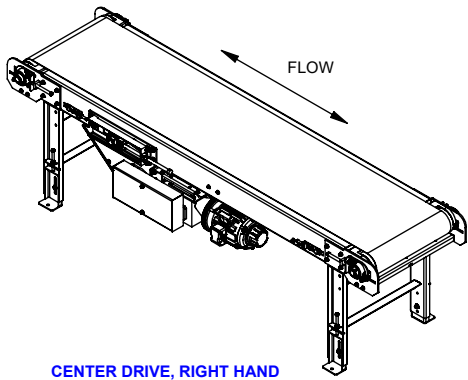
DESCRIPTION: HEAVY DUTY SLIDER BED BELT CONVEYOR

LEWCO, INC. IS COMMITTED TO CONTINUOUS IMPROVEMENT AND RESERVES THE RIGHT TO CHANGE DESIGNS AND SPECIFICATIONS WITHOUT NOTICE.

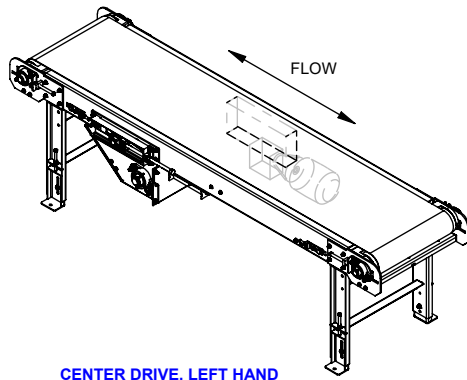
THIS DRAWING MUST NOT BE COPIED, REPRODUCED OR USED FOR ANY PURPOSE WITHOUT THE WRITTEN CONSENT OF LEWCO, INC. ALL RIGHTS RESERVED.

LEWCO

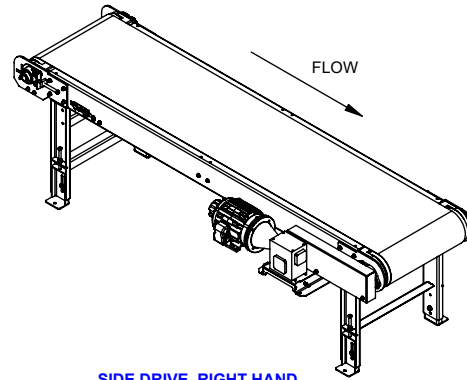
706 LANE ST. SANDUSKY, OH 44870, U.S.A.



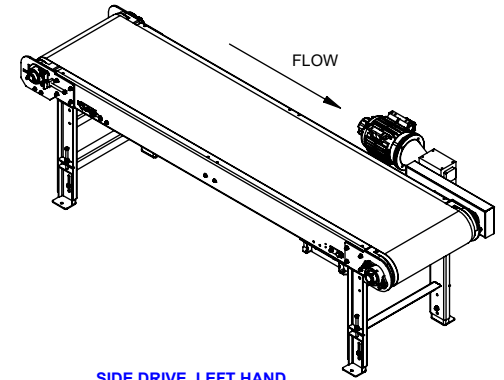
CENTER DRIVE, RIGHT HAND



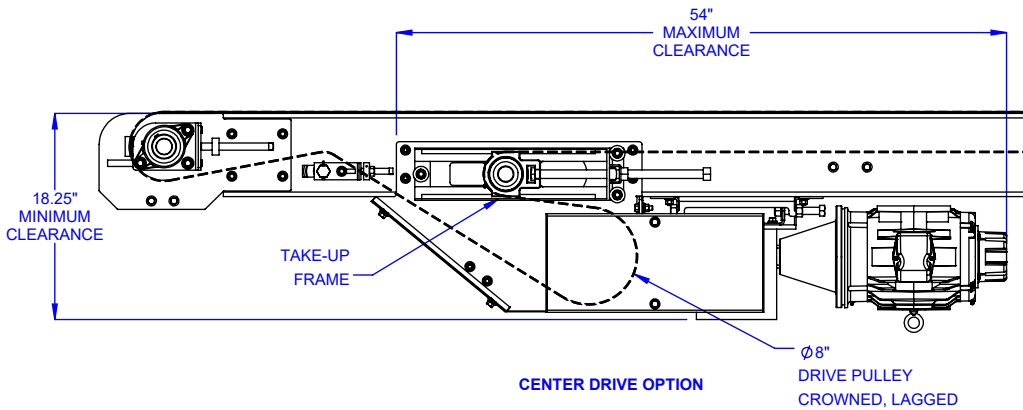
CENTER DRIVE, LEFT HAND



SIDE DRIVE, RIGHT HAND

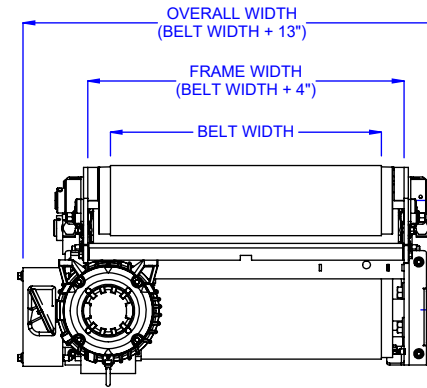


SIDE DRIVE, LEFT HAND

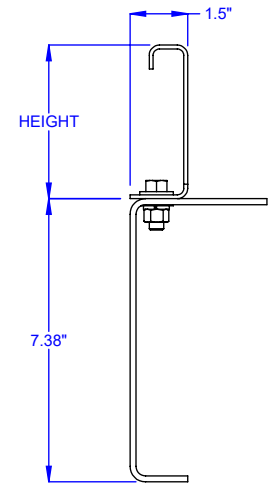


CENTER DRIVE OPTION

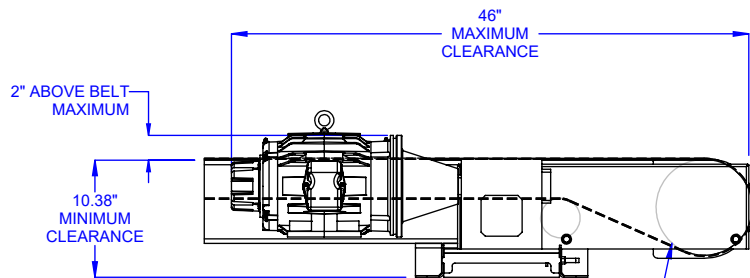
Ø8\"/>



CENTER DRIVE
END VIEW

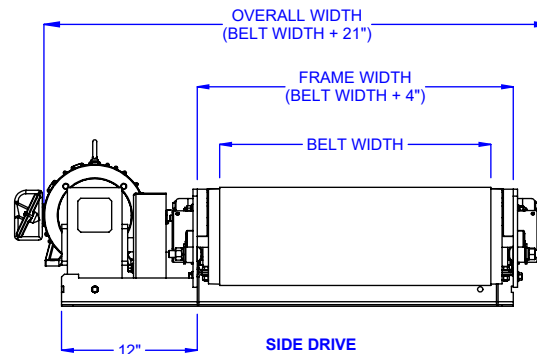


OPTIONAL
GUARDRAIL



SIDE DRIVE OPTION

Ø8\"/>



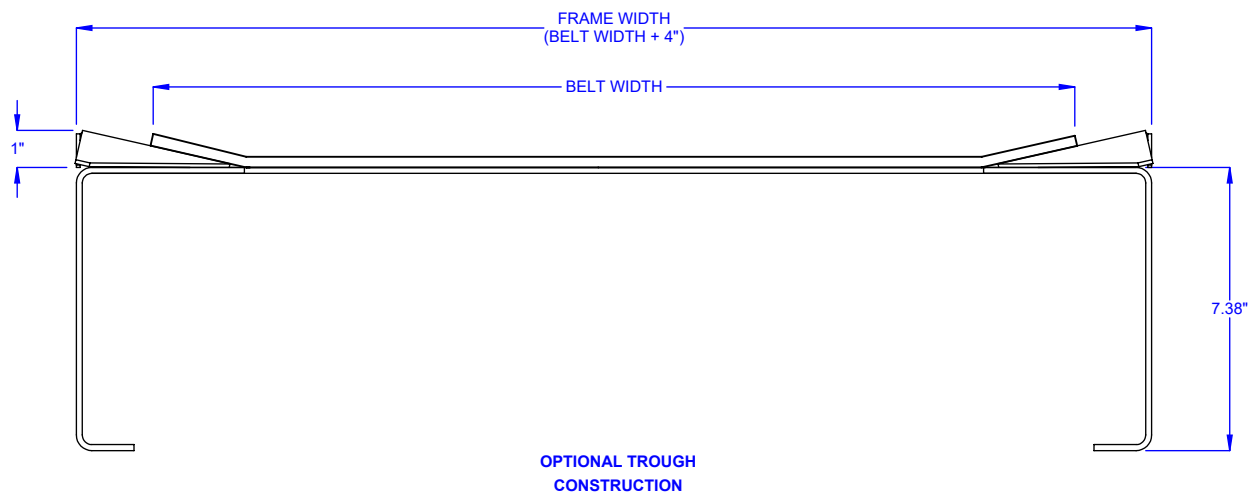
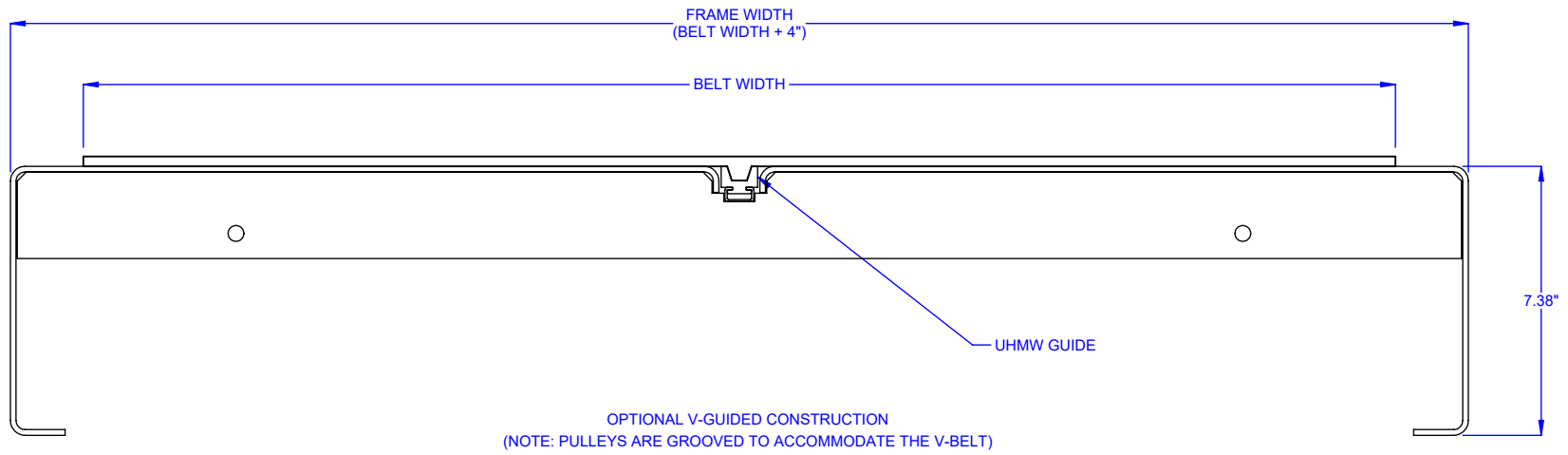
SIDE DRIVE
END VIEW

MODEL: HDSB

DESCRIPTION: HEAVY DUTY SLIDER BED BELT CONVEYOR

LEWCO, INC. IS COMMITTED TO CONTINUOUS IMPROVEMENT AND RESERVES THE RIGHT TO CHANGE DESIGNS AND SPECIFICATIONS WITHOUT NOTICE.

THIS DRAWING MUST NOT BE COPIED, REPRODUCED OR USED FOR ANY PURPOSE WITHOUT THE WRITTEN CONSENT OF LEWCO, INC. ALL RIGHTS RESERVED.



MODEL: HDSB

DESCRIPTION: HEAVY DUTY SLIDER BED BELT CONVETOR

LEWCO, INC. IS COMMITTED TO CONTINUOUS
IMPROVEMENT AND RESERVES THE RIGHT TO CHANGE
DESIGNS AND SPECIFICATIONS WITHOUT NOTICE.

THIS DRAWING MUST NOT BE COPIED, REPRODUCED
OR USED FOR ANY PURPOSE WITHOUT THE WRITTEN
CONSENT OF LEWCO, INC. ALL RIGHTS RESERVED.

LEWCO

706 LANE ST. SANDUSKY, OH 44870, U.S.A.