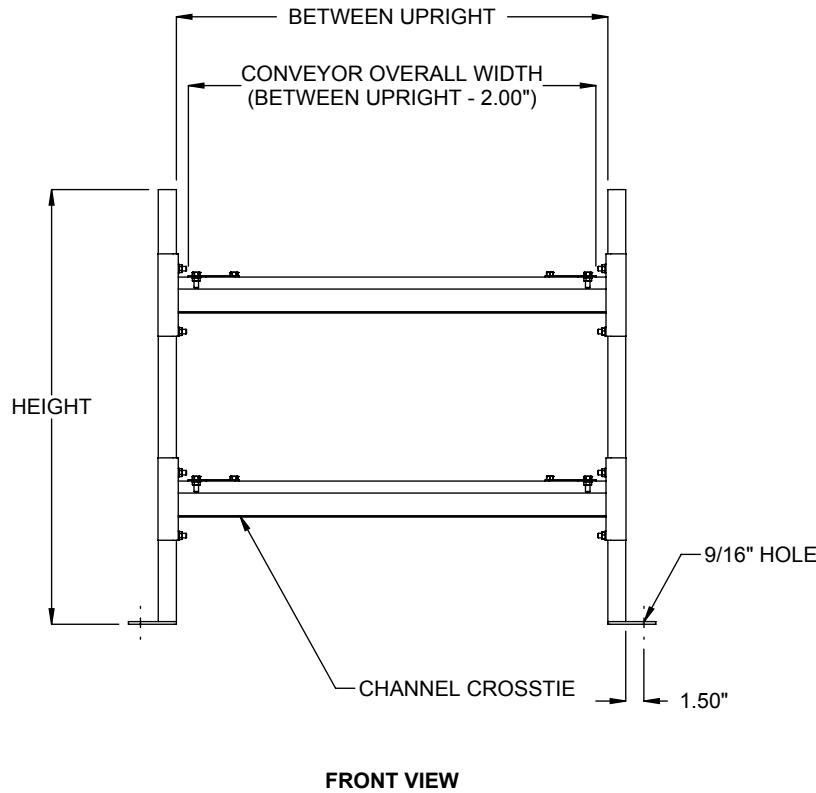
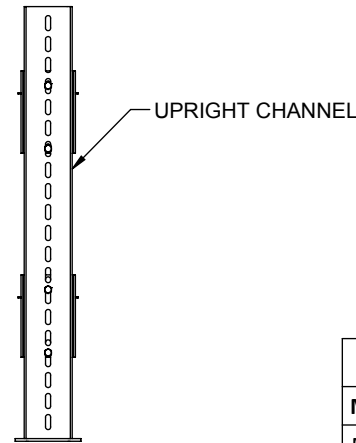


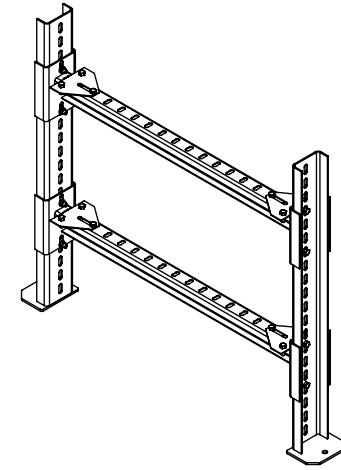
LOAD CAPACITY: 2500 LB. MAXIMUM DISTRIBUTED LOAD FOR ONE CROSSTIE UP TO 48" BETWEEN UPRIGHTS.



FRONT VIEW



SIDE VIEW



MTH: HEIGHT RANGE								
MODEL	MIN.	MAX.	MODEL	MIN.	MAX.	MODEL	MIN.	MAX.
MTH21	5.5"	18.0"	MTH51	5.5"	48.0"	MTH81	5.5"	78.0"
MTH27	5.5"	24.0"	MTH57	5.5"	54.0"	MTH87	5.5"	84.0"
MTH33	5.5"	30.0"	MTH63	5.5"	60.0"	MTH93	5.5"	90.0"
MTH39	5.5"	36.0"	MTH69	5.5"	66.0"	MTH99	5.5"	96.0"
MTH45	5.5"	42.0"	MTH75	5.5"	72.0"	MTH105	5.5"	102.0"

SPECIFICATIONS
OVERALL HEIGHT: 21", 27", 33", 39", 45", 51", 57", 63", 69", 75", 81", 87", 93", 99", 105"
BETWEEN UPRIGHT: 10" - 64"
NUMBER OF TIERS: 1, 2, 3, 4, 5
CONSTRUCTION: Formed upright channels, 8ga; Welded channel crosstie, 12ga bolted assembly; Base plate, 4ga.
FINISH: Standard finish is OSHA safety blue powder. <u>Optional colors</u> include green, beige, gray, orange, black and yellow.

Model: MTH - Multi-Tier Beam Style Support

REV
0

