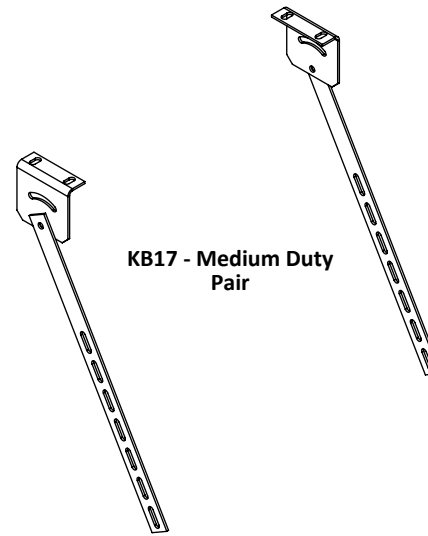
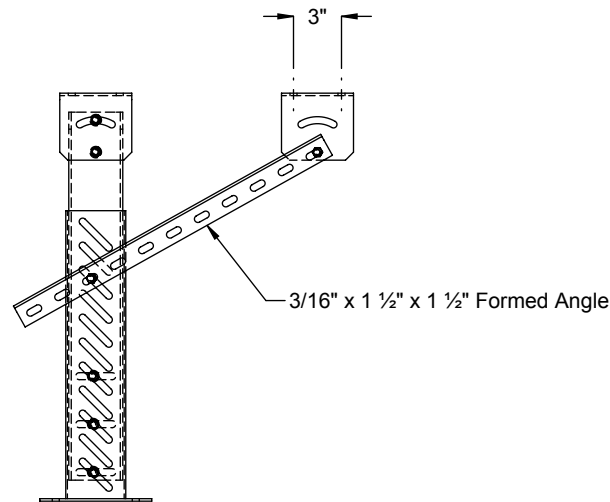


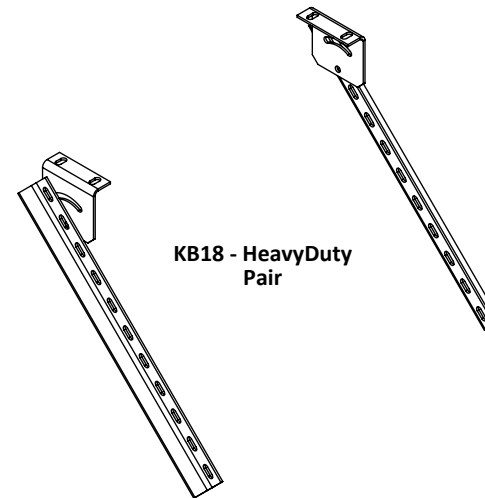
**KB17 - Medium Duty**



**KB17 - Medium Duty  
Pair**



**KB18 - HeavyDuty**



**KB18 - HeavyDuty  
Pair**

**Notes:**

Knee braces sold in pairs.  
May require field drilling.

**SPECIFICATIONS**

**CONSTRUCTION:** Medium Duty 1 1/2" x 3/16", Steel flat Heavy Duty 1 1/2" x 1 1/2" x 3/16", Formed steel angle

**TOP PLATE:** Standard 4ga pivot top plate.

**FINISH:** Standard finish is OSHA safety blue powder. Optional colors include green, beige, gray, orange, black and yellow.

**Model:** KB17 - Knee Brace, Medium Duty  
KB18 - Knee Brace, Heavy Duty

REV
0

