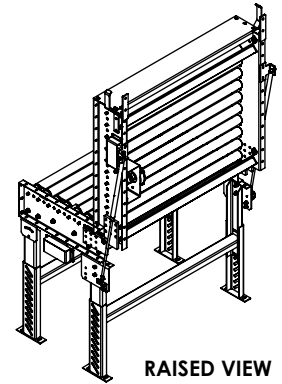
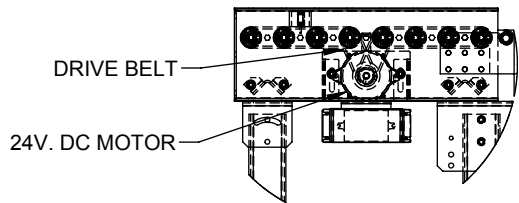
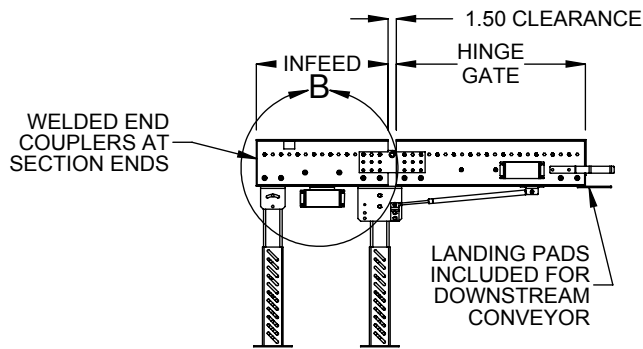


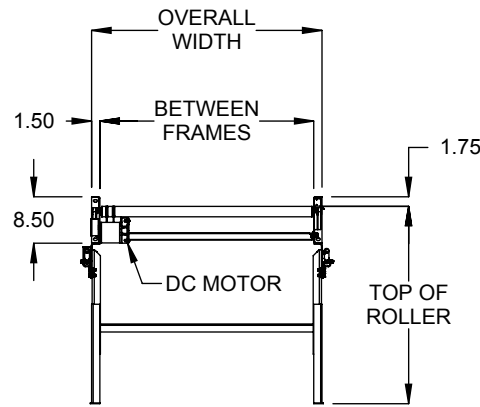
LOWERED VIEW



RAISED VIEW



DETAIL B



SECTION A-A

SPECIFICATIONS

BETWEEN FRAMES: 9" - 39"

BEGINNING ELEVATION: 18."- 48"

CONVEYOR LENGTH: 36" - 72"

ENDING ELEVATION: 18" - 48"

ROLLER: 1.9" diameter, 16 gage galvanized tube with 7/16" hex, cold rolled steel axle, spring retained with precision ABEC1 bearings.

ROLLER CENTERS: 3"

CONVEYOR SPEED: 20 - 250 FPM

DRIVE BELT: Standard belt is 83A durometer.

DRIVE: 24 volt DC motor with drive spool capable of driving up to (16) rollers maximum. Conveyors of longer lengths require multiple drive motors. Standard power supply is 40 amps and is capable of supplying power to up to 40 motors.

CONTROLS: Zero pressure accumulation cards and zone sensor photo eyes included as standard.

ROLLER COVERS: Standard roller is galvanized steel. Optional polyurethane sleeves available.

FRAME: Conveyor frame is 8.50" high, 12 gage steel channel with bolted cross members.

SUPPORT CENTERS: Standard supports are floor supports on 10' centers. Optional supports on 5' centers. Ceiling supports are also available.

FRAME FINISH: Standard finish is OSHA safety blue powder. Optional colors include green, beige, gray, orange, black and yellow.

All product, product specifications and data are subject to change without notice to improve reliability, function or design or otherwise.

Model: PBRTRC - Powered Round Belt Driven Conveyor, Hinge Gate

REV
0

