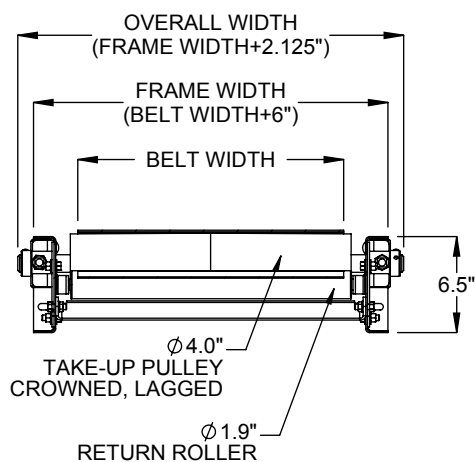


**CENTER DRIVE, LEFT HAND SIDE (SHOWN)
RIGHT HAND SIDE OPPOSITE AS SHOWN**



**SECTION A-A
TAKE-UP END**

ALL PRODUCT, PRODUCT SPECIFICATIONS AND DATA ARE SUBJECT TO CHANGE WITHOUT NOTICE TO IMPROVE RELIABILITY, FUNCTION OR DESIGN OR OTHERWISE.

SPECIFICATIONS

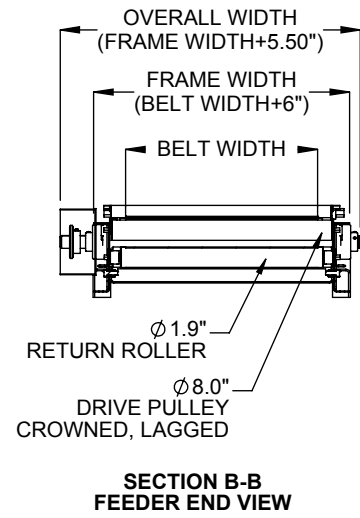
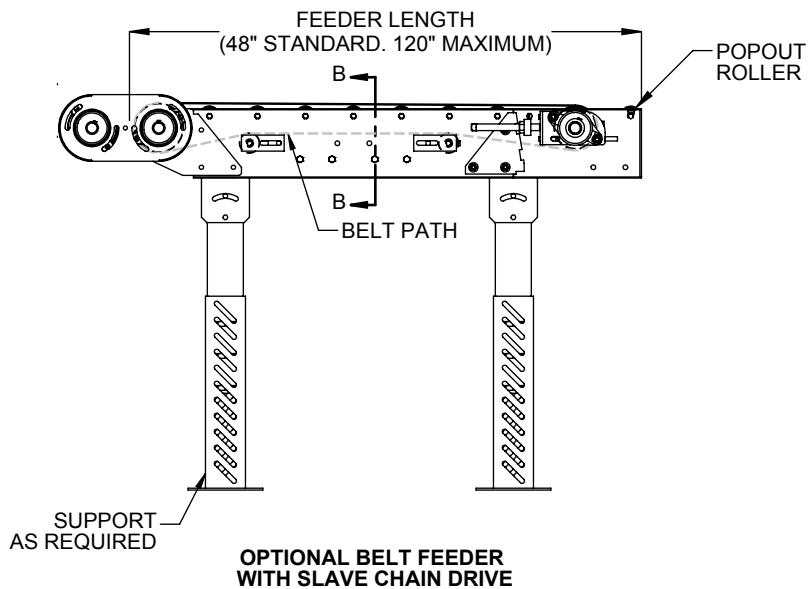
BELT WIDTH: 12", 18", 24", 30", 36"	
BEGINNING ELEVATION: 7.5" - 99"	LENGTH: 120" - 600"
ENDING ELEVATION: 7.5" - 240"	SPEED: 3 - 150 FPM
FLOOR TO FLOOR HEIGHT: 0" - 240"	NOSEOVER LENGTH: 27" - 120"
INCLINED ANGLE: 10° - 25°	FEEDER LENGTH: 48" - 120"
ROLLER CENTERS: 3", 4.5", 6"	
BELT: <u>Standard</u> belt is Trackmate Roughtop with clipper lace. <u>Optional</u> belts include.	
DRIVE: <u>Standard</u> drive is Center drive right hand. <u>Optional</u> drive is Center drive left hand.	
FEEDER: <u>Optional</u> feeder available.	
MOTOR: 3/4 HP through 2 HP. Energy efficient and inverter duty motors also available. Voltages include 120/1/60, 230/3/60, 460/3/60, 575/3/60 & DC Voltage.	
SUPPORT CENTERS: <u>Standard</u> supports are for two floor applications. <u>Optional</u> supports include tall floor supports (120" maximum) and ceiling hangers for elevated sections.	
FRAME FINISH: <u>Standard</u> finish is OSHA safety blue powder. <u>Optional</u> colors include green, beige, gray, orange, black and yellow.	

Model: FTFRB - Floor To Floor Roller Bed Conveyor

REV

2





LOAD CAPACITY @ 60 FPM & 25° INCLINED ANGLE (LBS)

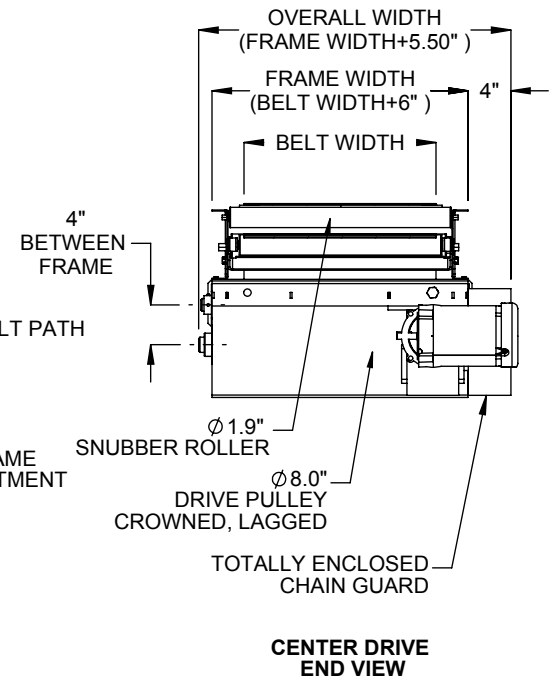
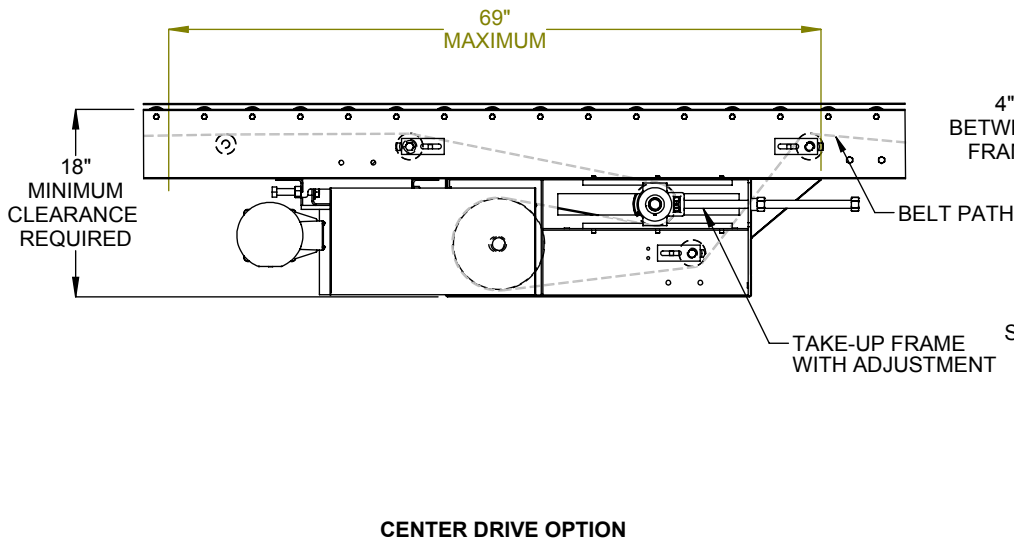
HP	WIDTH				
	12"	18"	24"	30"	36"
3/4	1150	1150	1100	1100	1050
1	1550	1550	1500	1500	1450
1 1/2	2400	2350	2350	2300	2300
2	3200	3150	3150	3150	3100

LOAD CAPACITY @ 30 FPM & 25° INCLINED ANGLE (LBS)

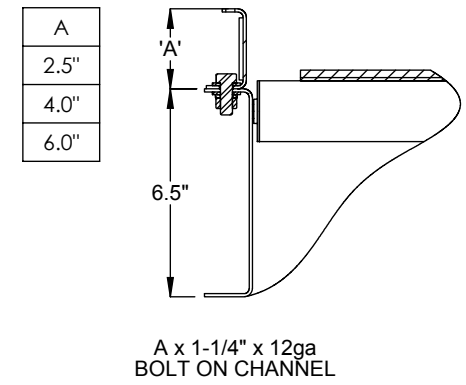
HP	WIDTH				
	12"	18"	24"	30"	36"
3/4	2400	2350	2350	2300	2300
1	3200	3200	3150	3150	3100
1 1/2	4800	4800	4750	4750	4750
2	6450	6450	6400	6400	6350

MAXIMUM LOAD PER LINEAR FOOT OF CONVEYOR IS 225 POUNDS -NOT TO EXCEED CAPACITY ABOVE

* HP requirements may be slightly higher for closer roll centers.



GUARDRAIL OPTION



ALL PRODUCT, PRODUCT SPECIFICATIONS AND DATA ARE SUBJECT TO CHANGE WITHOUT NOTICE TO IMPROVE RELIABILITY, FUNCTION OR DESIGN OR OTHERWISE.