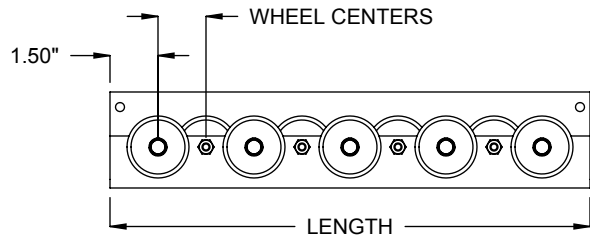
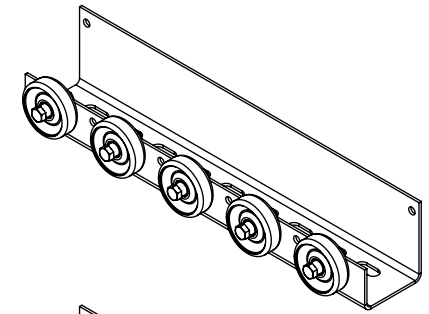
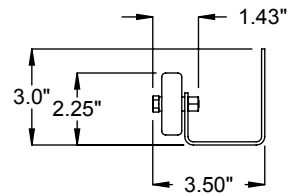
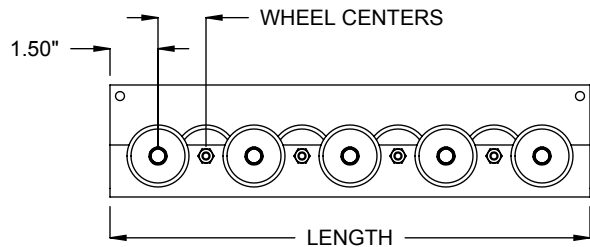
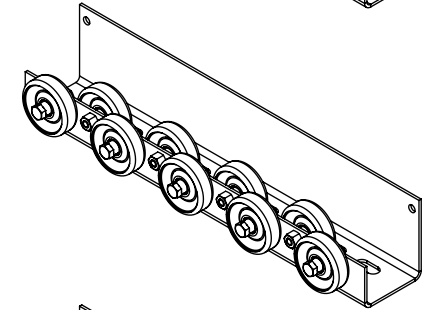
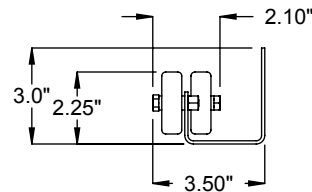


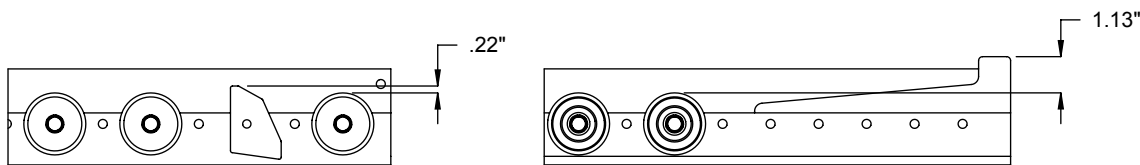
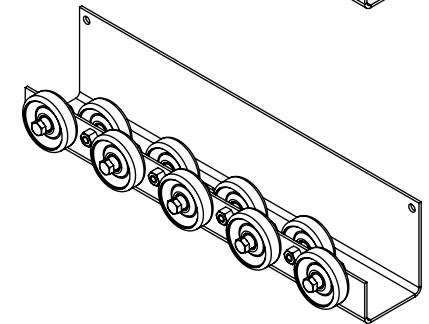
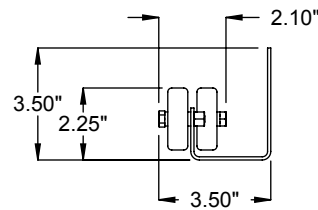
WRG - WHEEL RAIL, STYLE G



WRH - WHEEL RAIL, STYLE H

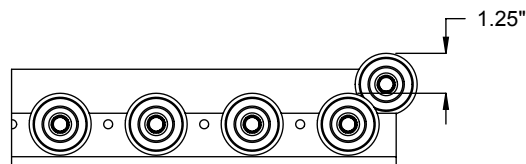


WRL - WHEEL RAIL, STYLE L



ANTI BACKUP STOP

PALLET STOP



WHEEL END STOP

SPECIFICATIONS

LENGTH: 12" - 120" WRG, WRH, WRL. 24" - 120" WRK.

WHEEL CENTERS: 2", 3" WRG. 1-1/2", 2" WRH, WRK, WRL.

WHEEL: Standard 1.9" diameter steel, oiled, 75 lbs dynamic load. Optional wheels available with 100 lbs or 2000 lbs dynamic load.

WHEEL SURFACE: Standard zinc plated. Optional orange urethane.

FRAME: Standard steel formed channel, 2-1/2" x 3" x 12ga for WRG, WRH. Steel formed angle 2-1/8" x 1-5/16" x 12ga for WRK. Steel formed channel 2-1/2" x 3-1/2" x 12ga for WRL.

END STOP: Standard no end stop included. Optional end stops includes anti-backup stop and pallet stop. Wheel end stop is available for WRG, WRH, WRL.

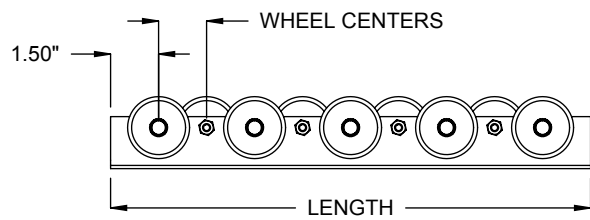
FRAME FINISH: Standard finish is OSHA safety blue powder. Optional colors include green, beige, gray, orange, black and yellow.

Model: WRG, WRH, WRK, WRL - Wheel Rail, Styles G, H, K and L

REV

0





WRK - WHEEL RAIL, STYLE K

NOTE: WRK CAN BE USED AS A CENTER RAIL FOR WRG, WRH AND WRL.

