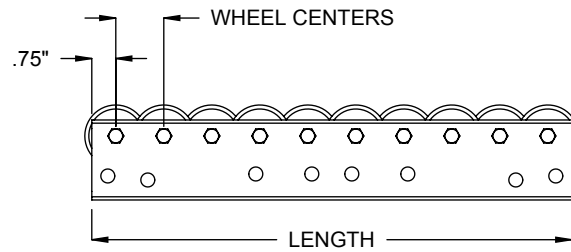
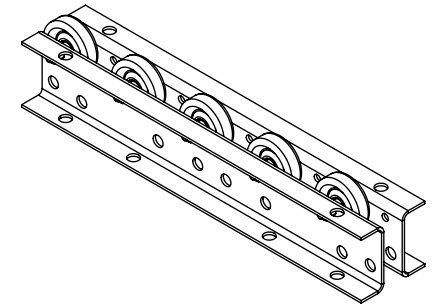
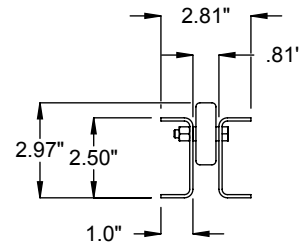
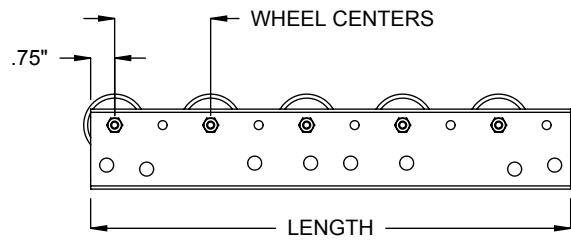
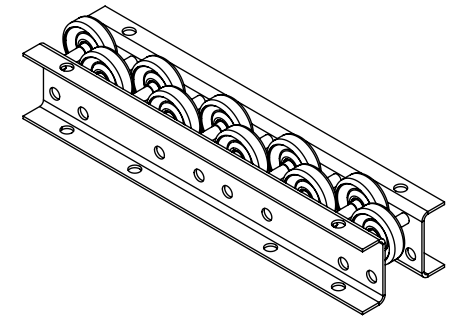
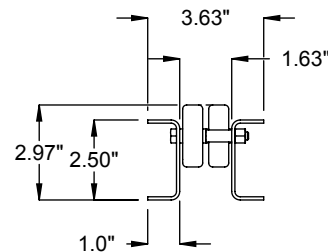


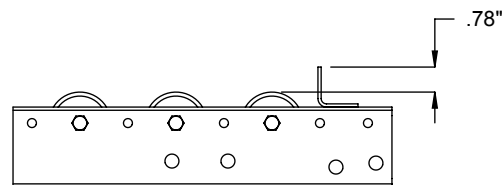
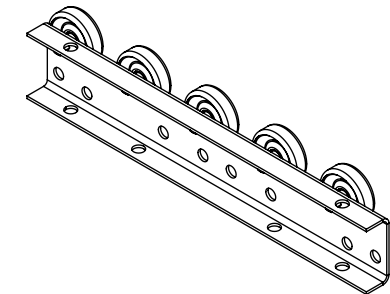
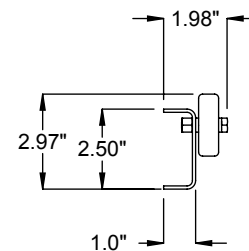
WRA - WHEEL RAIL, STYLE A



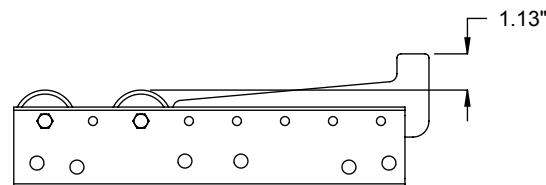
WRB - WHEEL RAIL, STYLE B



WRC - WHEEL RAIL, STYLE C



ANGLE END STOP



PALLET STOP

SPECIFICATIONS

LENGTH: 12" - 120"

WHEEL CENTERS: 2", 3" WRA, WRC. 1-1/2", 2" WRB.

WHEEL: Standard 1.9" diameter steel, oiled, 75 lbs dynamic load. Optional wheels available with 100 lbs or 2000 lbs dynamic load.

WHEEL SURFACE: Standard zinc plated. Optional orange urethane.

FRAME: Standard formed steel channel, 2-1/2" x 1" x 12ga.

END STOP: Standard no end stop included. Optional end stops include angle end stop for WRA, WRB; and pallet stop for WRA, WRB, WRC.

FRAME FINISH: Standard finish is OSHA safety blue powder. Optional colors include green, beige, gray, orange, black and yellow.

Model: WRA, WRB, WRC - Wheel Rail, Styles A, B and C

| |
|-----|
| REV |
| 0 |

