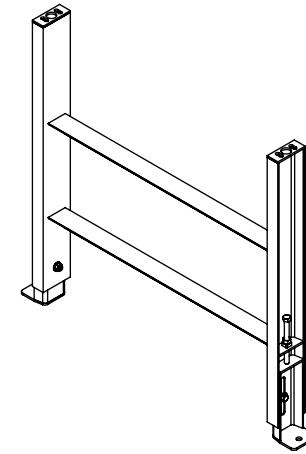
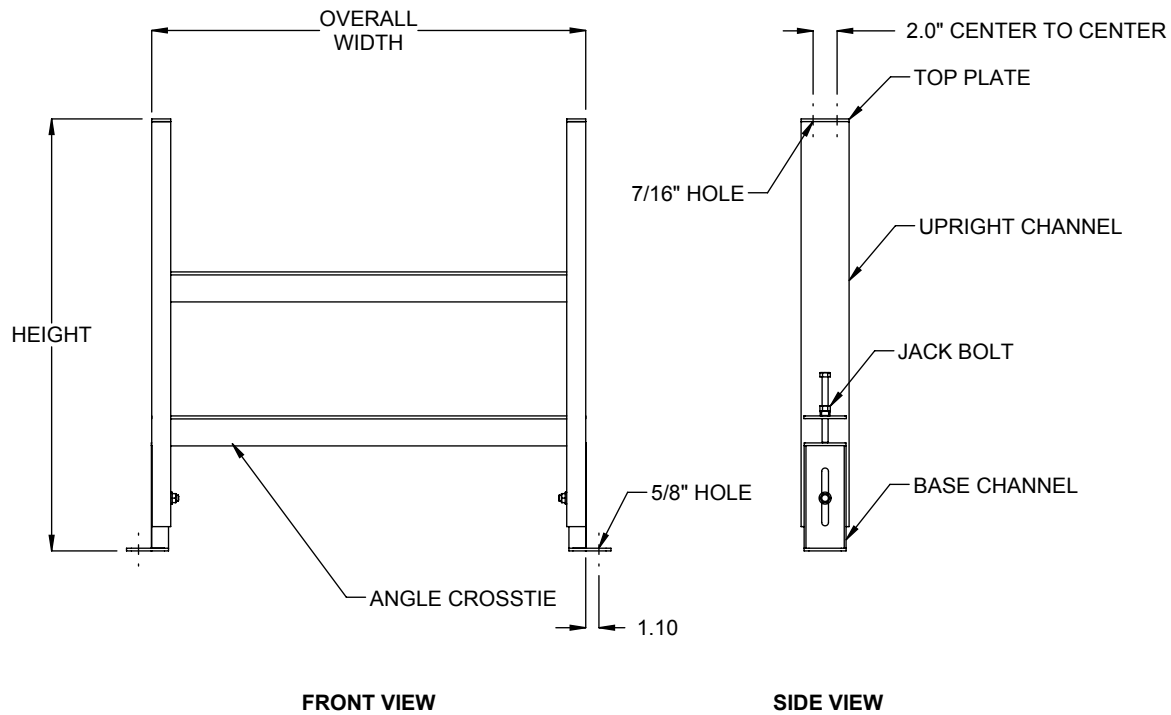


LOAD CAPACITY: UP TO 3000 LBS. MAXIMUM LOAD PER SUPPORT.



### SPECIFICATIONS

**OVERALL WIDTH:** 9" - 69"

**HEIGHT:** 9" - 84"

**HEIGHT ADJUSTMENT:** +/- 1" from 9" up to 14" HEIGHT. +/- 2" for 14" and greater HEIGHT.

**CONSTRUCTION:** Structural 4@5.4# upright channel and formed 3.4" wide, 8ga base channel. Welded angle crosstie, 8ga. Base plate, 4ga.

**TOP PLATE:** Standard 4ga fixed top plate.

**FINISH:** Standard finish is OSHA safety blue powder. Optional colors include green, beige, gray, orange, black and yellow.

**Model:** SPSJ4, Support, 4" Structural, Jack Bolt

REV
0

