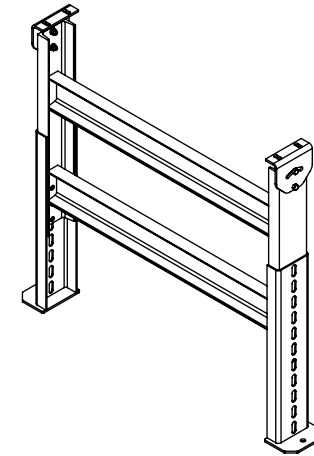
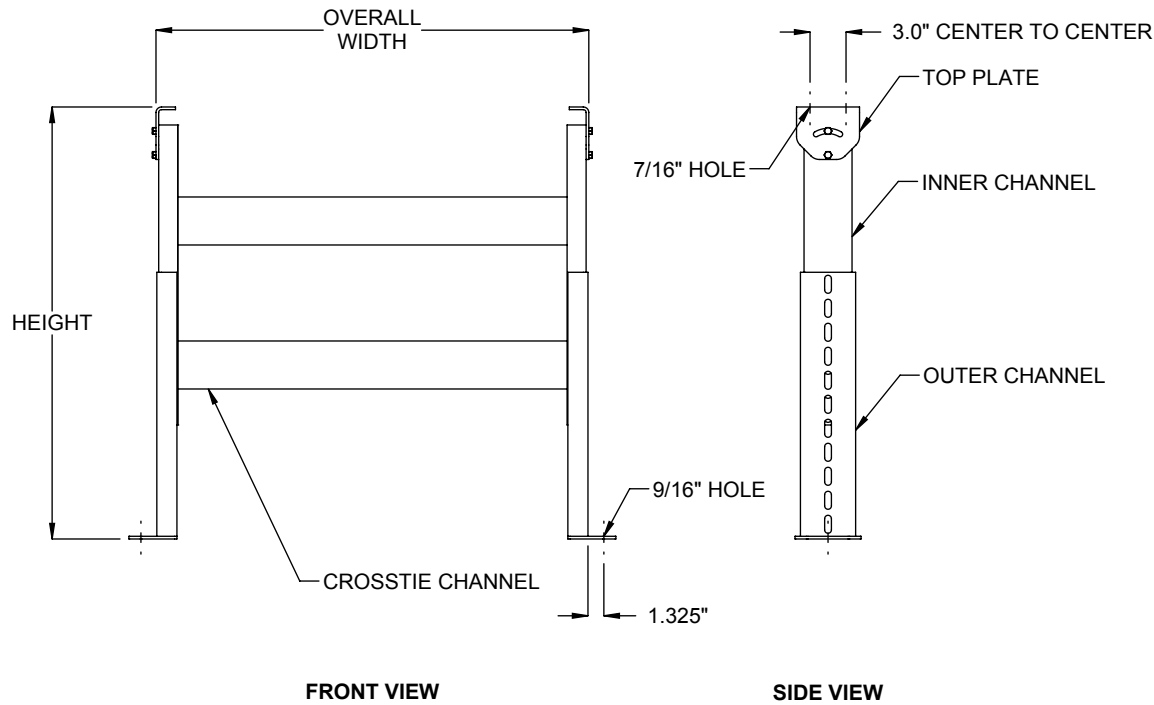


LOAD CAPACITY: 6000 LB. MAXIMUM LOAD PER SUPPORT.



SPS: HEIGHT RANGE

MODEL	MIN.	MAX.	MODEL	MIN.	MAX.	MODEL	MIN.	MAX.
SPS14	12.00"	14.75"	SPS70	55.00"	70.75"	SPS130	115.00"	130.75"
SPS16	13.00"	16.75"	SPS82	67.00"	82.75"	SPS140	125.00"	140.75"
SPS18	14.00"	18.75"	SPS92	77.00"	92.75"	SPS150	135.00"	150.75"
SPS22	17.00"	22.75"	SPS104	89.00"	104.75"	SPS162	147.00"	162.75"
SPS26	19.00"	26.75"	SPS114	99.00"	114.75"	SPS174	159.00"	174.75"
SPS36	26.75"	36.75"	SPS117	102.00"	117.75"	SPS186	171.00"	186.75"
SPS46	31.00"	46.75"	SPS120	105.00"	120.75"	SPS196	181.00"	196.75"
SPS58	43.00"	58.75"	SPS126	110.00"	126.75"	SPS208	193.00"	208.75"

SPECIFICATIONS

OVERALL WIDTH: 9" - 66"

CONSTRUCTION: C4@5.4# inner channel and formed outer channel, 8ga; C4@5.4# Welded channel crosstie; Base plate, 4ga.

TOP PLATE: Standard 4ga pivot top plate is available where adjustable pitch is required.

FINISH: Standard finish is OSHA safety blue powder. Optional colors include green, beige, gray, orange, black and yellow.

Model: SPS - Support, Structural, Heavy Duty

REV	
0	