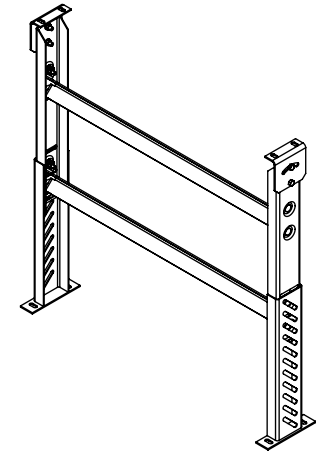
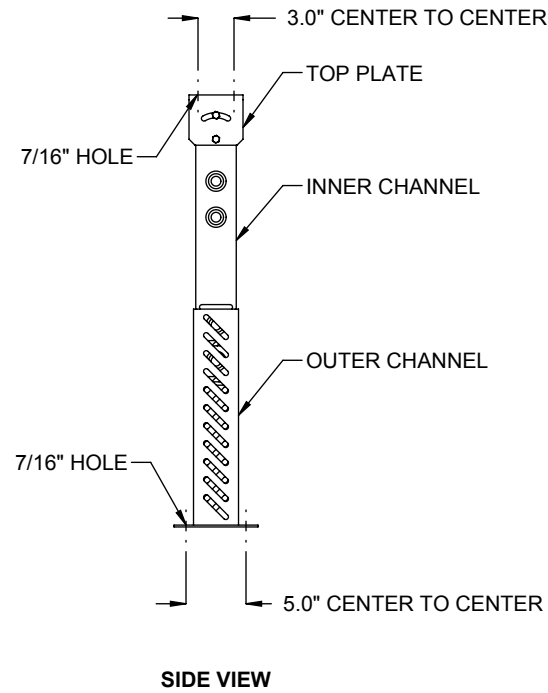
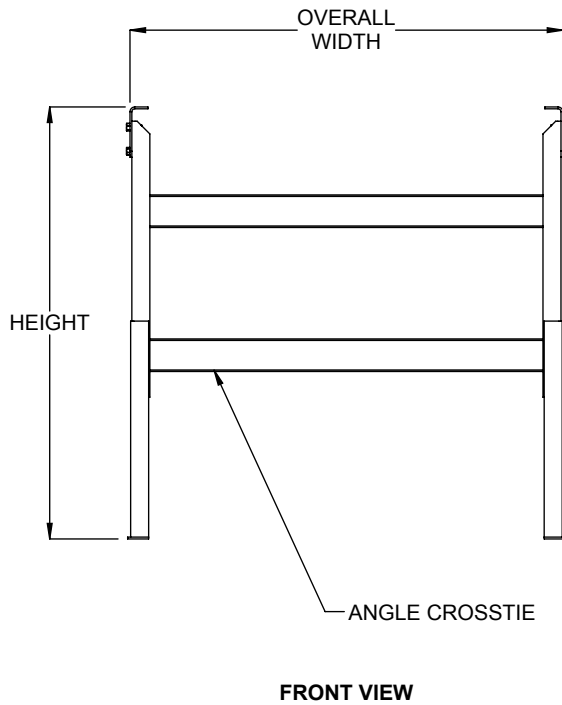


LOAD CAPACITY: 1500 LB. MAXIMUM LOAD PER SUPPORT.



SPM: HEIGHT RANGE

MODEL	MIN.	MAX.
SPM14	12.75"	14.25"
SPM16	13.75"	16.75"
SPM18	14.75"	18.75"
SPM22	16.75"	22.75"
SPM26	20.75"	26.75"
SPM33	22.75"	33.75"
SPM36	24.75"	36.75"

SPECIFICATIONS

OVERALL WIDTH: 7" - 54"

CONSTRUCTION: Formed steel inner and outer channels, 12ga; Bolted angle crosstie, 12ga; Base plate, 12ga.

TOP PLATE: Standard 8ga pivot top plate is available where adjustable pitch is required.

FINISH: Standard finish is OSHA safety blue powder. Optional colors include green, beige, gray, orange, black and yellow.

Model: SPM - Support, Medium Duty

REV
0

