

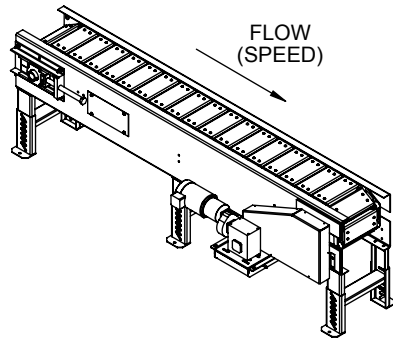
SPECIFICATIONS	
SLAT WIDTH: 13" - 49"	
BEGINNING ELEVATION: 17" - 48"	LENGTH: 120" - 1200"
ENDING ELEVATION: 17" - 48"	SPEED: 15 - 45 FPM
SLATS: Standard formed steel slats, 5-3/4" x 1-1/2" 8 ga channels, attached to chain with (2) 1/4-20 button head cap screws. Optional flat head screws with counter-sunk slat mounting holes. Also option available for 4ga and 3/8" slats.	
DRIVE: Standard drive is End drive, right hand side. Optional drives include End drive left hand side, Side drive right or left hand side, Floor drive right or left hand side.	
MOTOR: 3/4 HP through 5 HP. Energy efficient and inverter duty motors also available. Voltages include 120/1/60, 230/3/60, 460/3/60, 575/3/60 & DC voltage.	
CONVEYOR CHAIN SPROCKET: 6 tooth, 12" pitch diameter.	
CONVEYOR CHAIN: 6" pitch bushed steel roller chain with 2" diameter high capacity rollers with A2 attachment links every pitch.	
SUPPORT CENTERS: Standard supports are floor supports on 5' centers.	
FRAME FINISH: Standard finish is OSHA safety blue powder. Optional colors include green, beige, gray, orange, black and yellow.	

**SECTION A-A
TAKE-UP END
TYP ALL DRIVES**

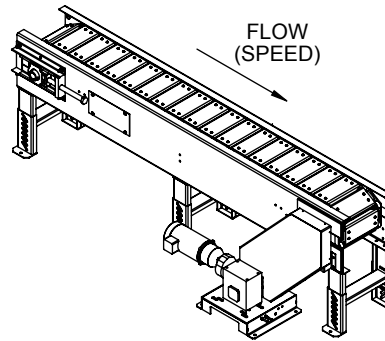
**SECTION B-B
DRIVE END**

Model: SL6 - Heavy Duty Slat Conveyor

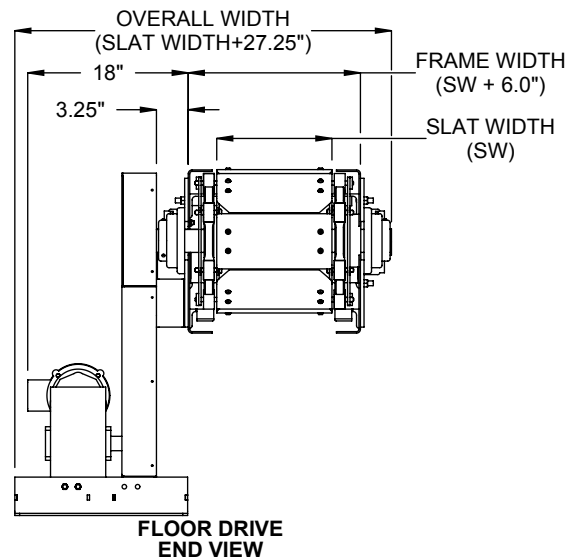
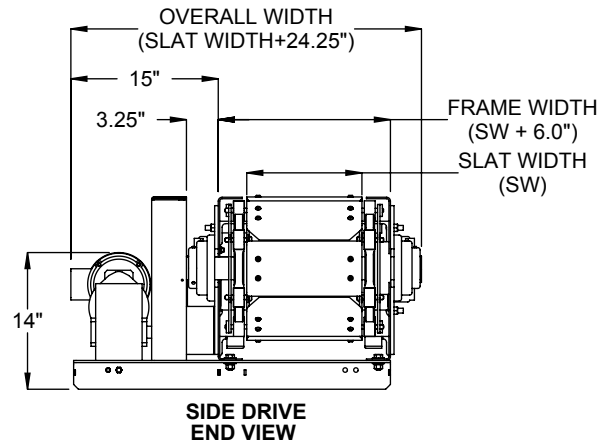
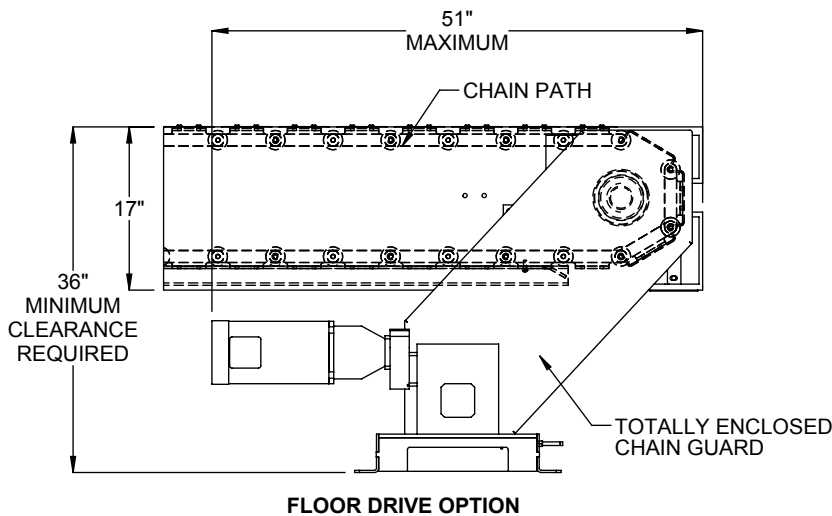
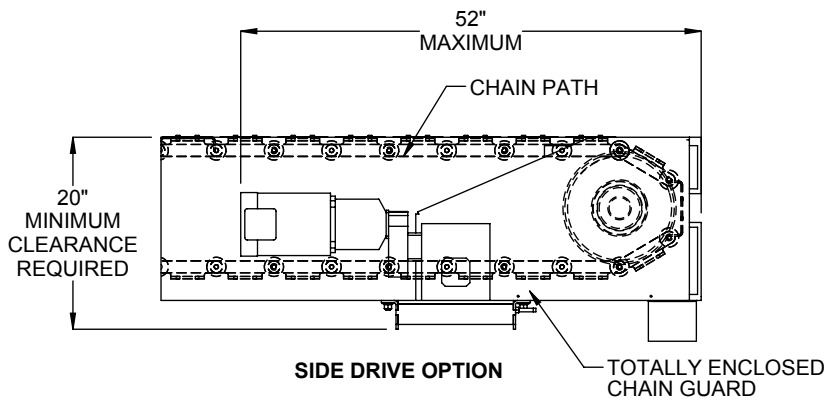
REV	LEWCO
0	



**SIDE DRIVE RIGHT HAND SIDE (SHOWN)
LEFT HAND SIDE OPPOSITE AS SHOWN**



**FLOOR DRIVE RIGHT HAND SIDE (SHOWN)
LEFT HAND SIDE OPPOSITE AS SHOWN**



**LOAD CAPACITY @ 60 FPM (LBS)
20 FT CONVEYOR LENGTH**

HP	WIDTH			
	13"	25"	37"	49"
3/4	50	-	-	-
1	350	50	-	-
1 1/2	1000	650	350	-
2	1650	1300	950	650
3	2900	2600	2250	1900
5	5450	5150	4800	4450

**LOAD CAPACITY @ 30 FPM (LBS)
20 FT CONVEYOR LENGTH**

HP	WIDTH			
	13"	25"	37"	49"
3/4	1000	650	350	-
1	1650	1300	950	650
1 1/2	2900	2600	2250	1900
2	4200	3850	3550	3200
3	6750	6400	6100	5750
5	11850	11500	11200	10850

RECOMMENDED MAXIMUM CONVEYOR LOAD IS 1400 LBS PER LINEAR FOOT - NOT TO EXCEED CAPACITY ABOVE. FOR HEAVIER LOADS, CONSULT FACTORY.

*** HP requirements will vary for different conveyor lengths and slat constructions. Consult factory.**