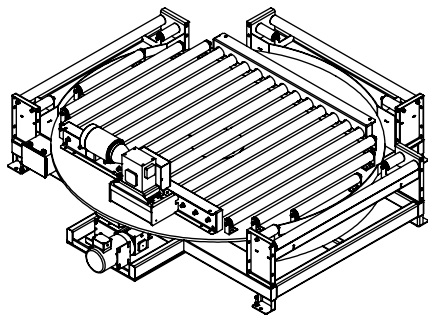
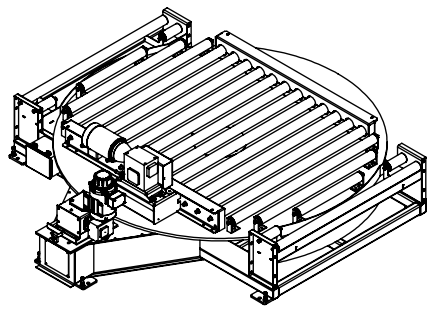


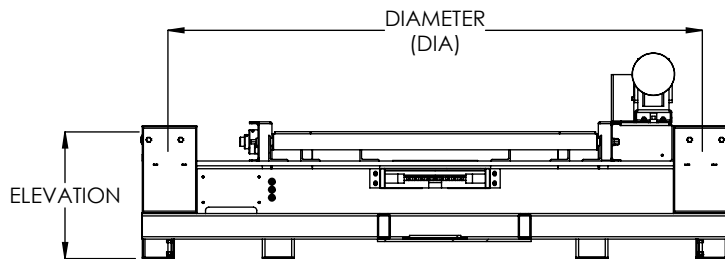
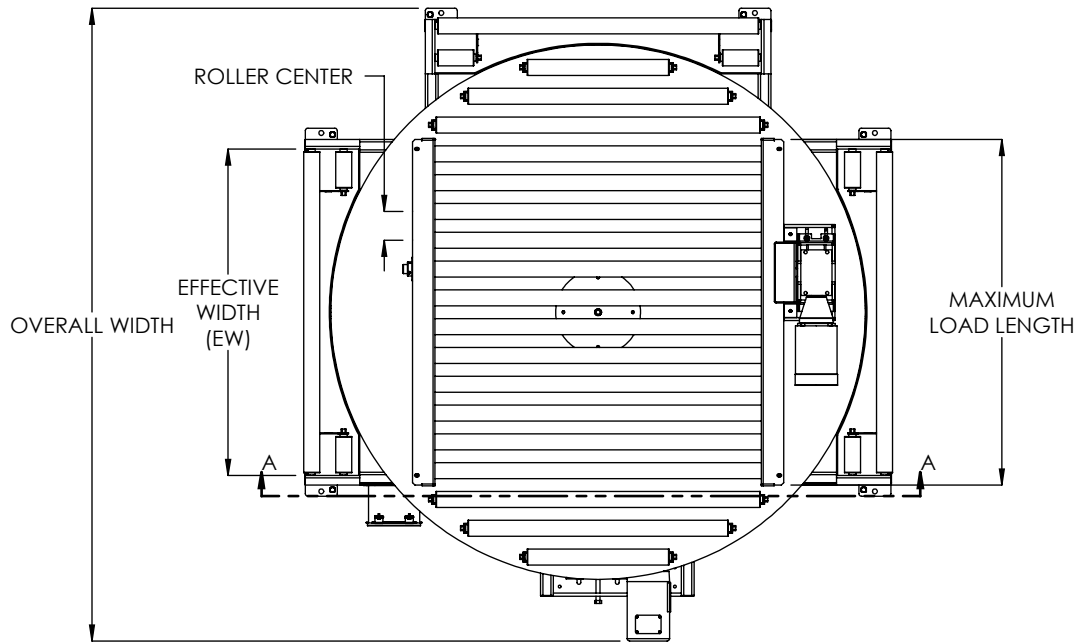
LOAD CAPACITY: 4000 LB MAXIMUM LOAD DISTRIBUTED ON CONVEYOR.



PP360  
ELEVATION 18" - 48"



LPT360  
ELEVATION 12" - 18"



SECTION A-A

EFFECTIVE WIDTH (IN)	1.9" DIAMETER ROLLERS		2.5", 2.625" DIAMETER ROLLERS	
	DIAMETER (IN)	MAXIMUM LOAD LENGTH (IN)	DIAMETER (IN)	MAXIMUM LOAD LENGTH (IN)
24	42	24	43	27
30	50	32	52	32
36	58	36	61	36
42	70	44	70	45
48	74	48	79	50
51	-	-	84	54
54	-	-	84	54
60	-	-	97	63

### SPECIFICATIONS

**EFFECTIVE WIDTH:** All rollers: 24", 30", 36", 42", 48"; for 2.5" and 2.625" diameter rollers: 51", 54", 60.

**ELEVATION:** 12" - 48"

**SPEED:** 1.9" diameter roller: 10 - 100FPM. 2.5" and 2.625" diameter roller: 10 - 150 FPM

**ROTATION:** Standard 360 degrees. Optional indexing available for 90deg, 180deg and 270deg.

**ROLLER CENTERS:** 4" for 1.9" diameter rollers. 4-1/2" for 2.5" and 2.625" diameter rollers.

**ROLLERS:** 1.9" diameter rollers have 7/16" hex cold rolled steel axles, spring retained. Either 12ga wall tube with precision grease packed bearings or 9ga wall tube with semi-precision grease packed bearings. 2.5" diameter rollers, 11ga wall tube and 2.625" diameter, 7ga wall tube are available with 11/16" hex cold rolled steel axles, spring retained and precision grease packed bearings.

**TURNTABLE PLATE:** Standard is 3/8" plate with slewing ring center bearing.

**MOTOR:** 1/2 HP through 2 HP. Energy efficient, inverter duty, and brake motors also available. Voltages include 115/1/60, 208/3/60, 230/3/60, 460/3/60 and 575/3/60 & DC Voltage.

**ROLLER SURFACE:** Standard carbon steel. Optional orange polyurethane, 1/8" wall for 1.9" diameter, 12ga; 1.9" diameter, 9ga; and 2.5" diameter, 11ga. Optional galvanized for 1.9" diameter, 12ga and 2.5" diameter, 11ga.

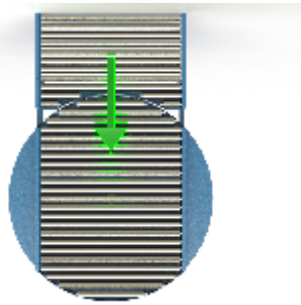
**FRAME FINISH:** Standard finish is OSHA safety blue powder. Optional colors include green, beige, gray, orange, black and yellow.

Model: PP360, LP360 - Powered 360° Rotating Turntable

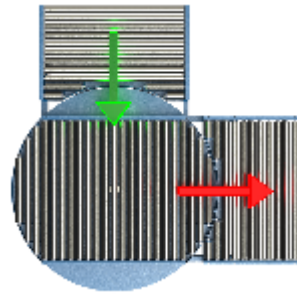
REV

0

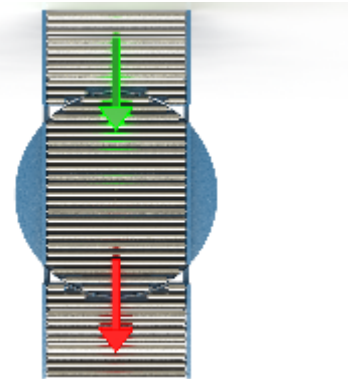




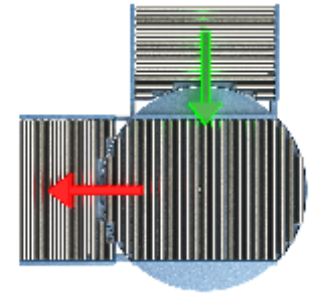
INFEED, DISCHARGE  
SAME LOCATION



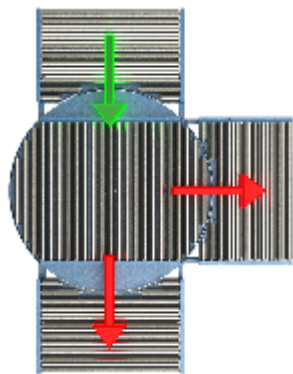
DISCHARGE  
90°



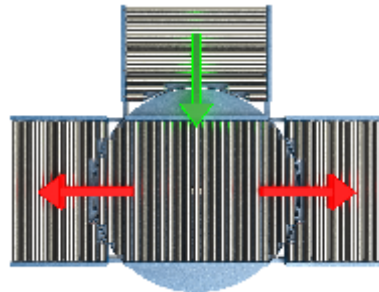
DISCHARGE  
180°



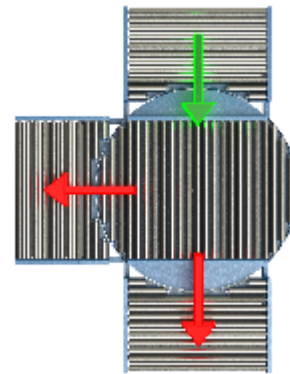
DISCHARGE  
270°



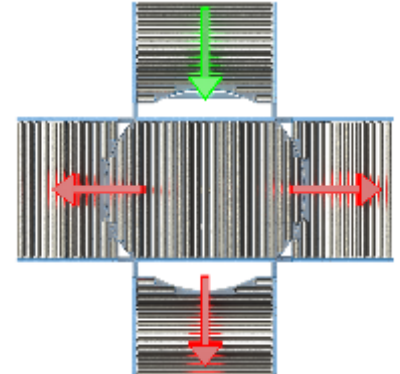
DISCHARGE  
90°, 180°



DISCHARGE  
90°, 270°



DISCHARGE  
180°, 270°



DISCHARGE  
90°, 180°, 270°