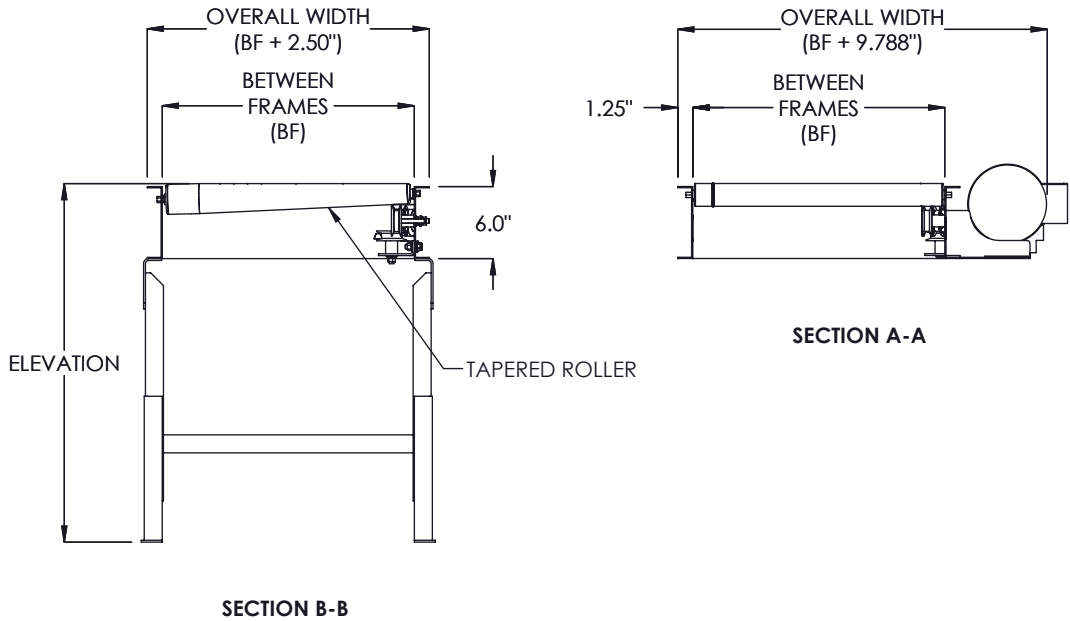


END DRIVE, SIDE, RIGHT, INSIDE RADIUS (SHOWN)
 END DRIVE, SIDE, LEFT, INSIDE RADIUS OPPOSITE



SPECIFICATIONS	
BETWEEN FRAMES: 13", 15", 17", 19", 21", 23", 25", 27", 31", 33", 37", 39"	
BEGINNING ELEVATION: 7.5" - 126"	DEGREE: 30°, 45°
ENDING ELEVATION: 7.5" - 126"	SPEED: 30, 40, 50, 60, 90, 200 FPM
BELT: Endless B-section V-Belt support.	
ROLLERS: 2-1/2" diameter tapered to 1-11/16" diameter, 14ga with precision grease packed bearings, 7/16" spring retained hex axle. Tangent section s use 1.9" diameter, 16ga with precision grease packed bearings, 7/16" spring retained hex axle.	
DRIVE: Standard drive is an End Drive, right hand side. <u>Optional</u> drive include End drive left hand side.	
MOTOR: 1/2 HP. Energy efficient and inverter duty motors also available. Voltages include 120/1/60, 230/3/60, 460/3/60 and 575/3/60 & DC Voltage.	
SUPPORT CENTERS: <u>Standard</u> supports are floor supports on nominal 5' centers.	
FRAME FINISH: Standard finish is OSHA safety blue powder. <u>Optional</u> colors include green, beige, gray, orange, black and yellow.	

Model: MDTLRS - Medium Duty Tapered Live Roller Spur Curve