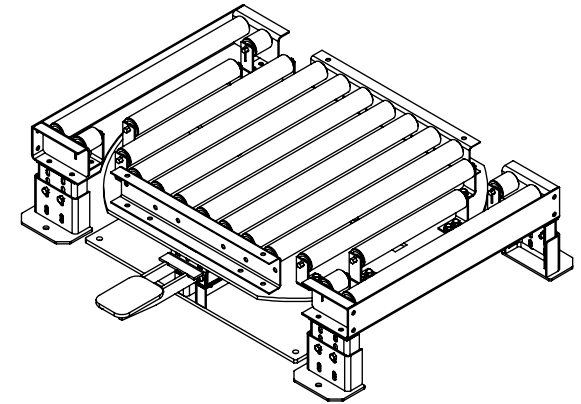
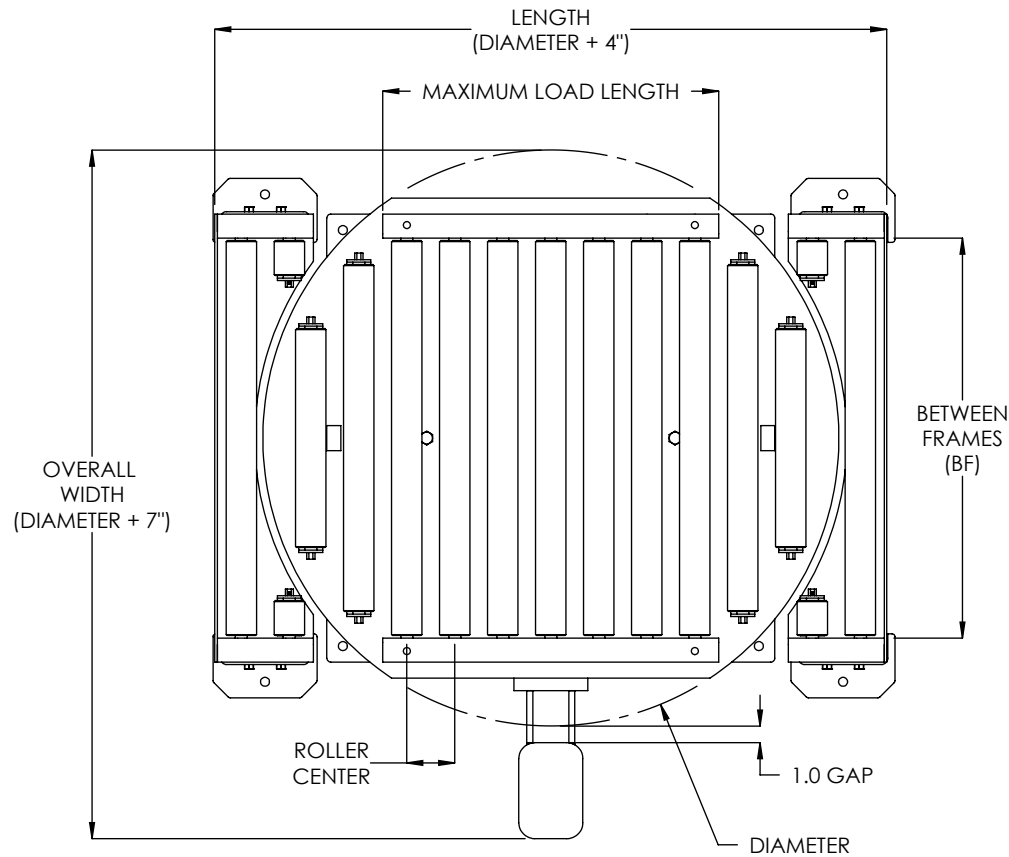
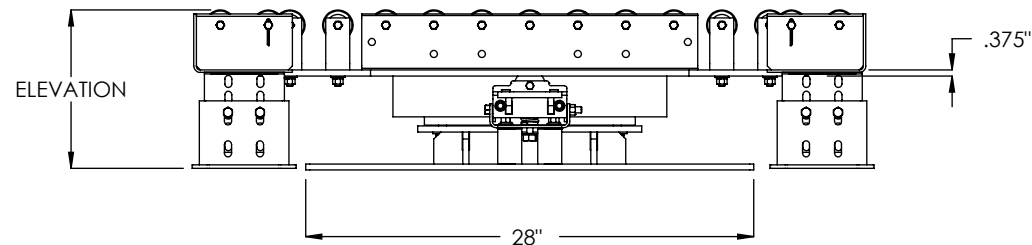


LOAD CAPACITY: 1000 LB MAXIMUM LOAD DISTRIBUTED ON TURNTABLE.



DIAMETER (IN)	BETWEEN FRAMES (IN)	MAXIMUM LOAD LENGTH (IN)
42	27	24
50	33	32



SPECIFICATIONS

BETWEEN FRAMES: 27" and 33"

ELEVATION: 8.25" - 12.75"

ROTATION: 360 degrees, detented at 90 degree increments.

ROLLER CENTERS: 4"

ROLLERS: 1.9" diameter, 12ga wall tube with precision, grease packed bearings or 9ga wall tube with semi-precision grease packed bearings. All rollers with 7/16" hex cold rolled steel axles, spring retained.

TURNTABLE PLATE: Standard is 3/8" plate, with slewing ring center bearing.

ROLL COVERS: Optional orange polyurethane, 1/8" wall or galvanized tube for 12 ga rollers.

TRANSITION ROLLERS: Standard set for pass through conveyor line. Optional transition section can be configured for 90° turns.

FRAME FINISH: Standard finish is OSHA safety blue powder. Optional colors include green, beige, gray, orange, black and yellow.

Model: LPTG19 - Low Profile Turntable with 1900 Series Gravity Conveyor

REV.

0

