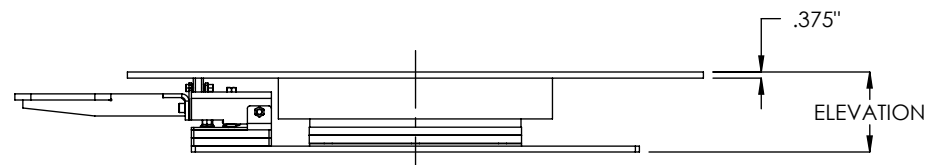
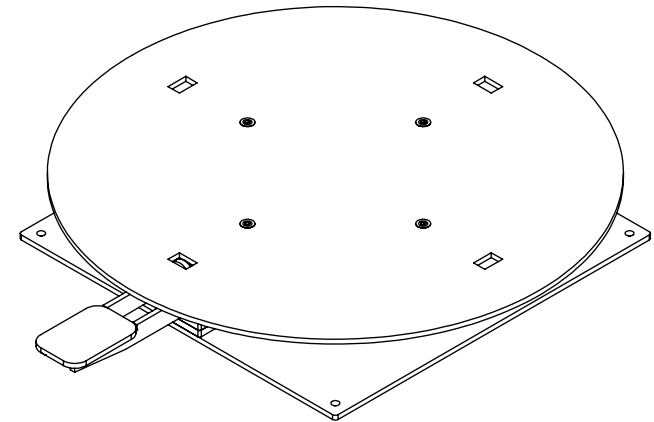
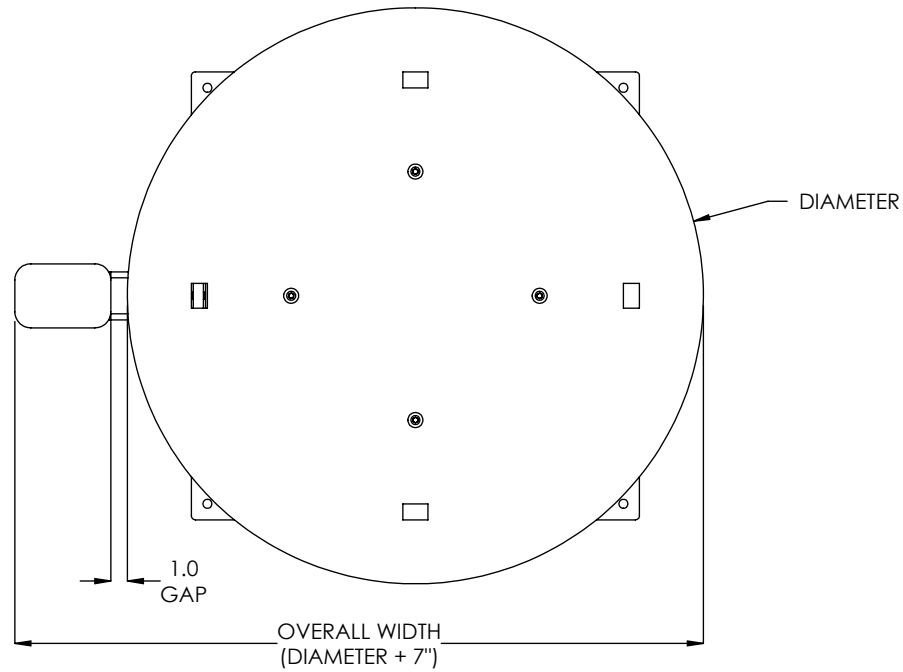


LOAD CAPACITY: 1000 LB MAXIMUM LOAD DISTRIBUTED ON TURNTABLE.



### SPECIFICATIONS

**DIAMETER:** 36", 42", 48"

**ELEVATION:** 4" - 9.75"

**ROTATION:** 360 degrees, detented at 90 degree increments.

**TURNTABLE PLATE:** Standard is 3/8" plate, with slewing ring center bearing.

**FRAME FINISH:** Standard finish is OSHA safety blue powder. Optional colors include green, beige, gray, orange, black and yellow.

**Model:** LPT - Low Profile Turntable

REV.

0

