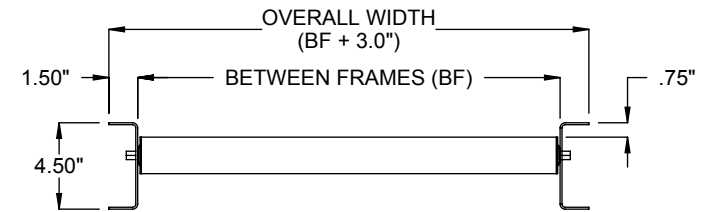
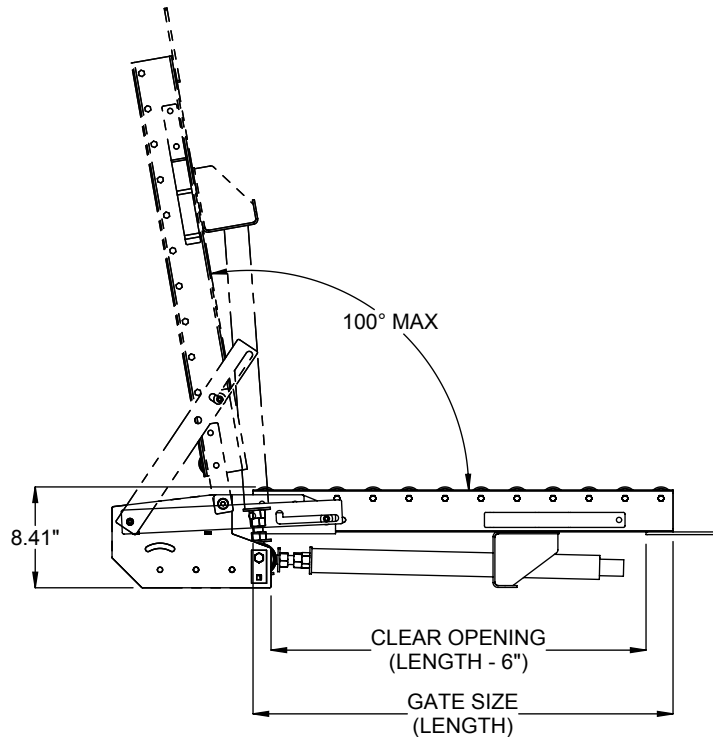


**FRAME OPTIONS:**



F38 CHANNEL, 4-1/2"x1-1/2"x12ga



**SPECIFICATIONS**

<b>BETWEEN FRAMES:</b> 6" - 43"	<b>LENGTH:</b> 36", 42", 48"
<b>ROLLER CENTERS:</b> 2.25", 3", 4.5", 6"	
<b>ROLLERS:</b> 1.9" dia., with 7/16" hex cold rolled steel axles, spring retained. Standard HS1912 A20 bearings, oiled 135 lbs., 12ga roller. Standard HS1916 A15 bearings, oiled 300 lbs., 16ga roller.	
<b>FRAMES:</b> Standard F97 set high 3-1/2" x 1-1/2" x 12ga formed steel channel. Optional F38 set low 4-1/2" x 1-1/2" x 12ga.	
<b>ROLL COVERS:</b> Standard carbon steel. Optional roll covers include Orange Polyurethane, 1/8" wall or galvanized tubes.	
<b>COUPLINGS:</b> Can be connected to the same model conveyor with matching frame option and matching between frame dimension.	
<b>FRAME FINISH:</b> Standard finish is OSHA safety blue powder. Optional colors include green, beige, gray, orange, black and yellow.	

**Model:** HS1912, HS1916 - Spring Assisted Hinge Gate, 1.9 diameter roller

REV  
0

