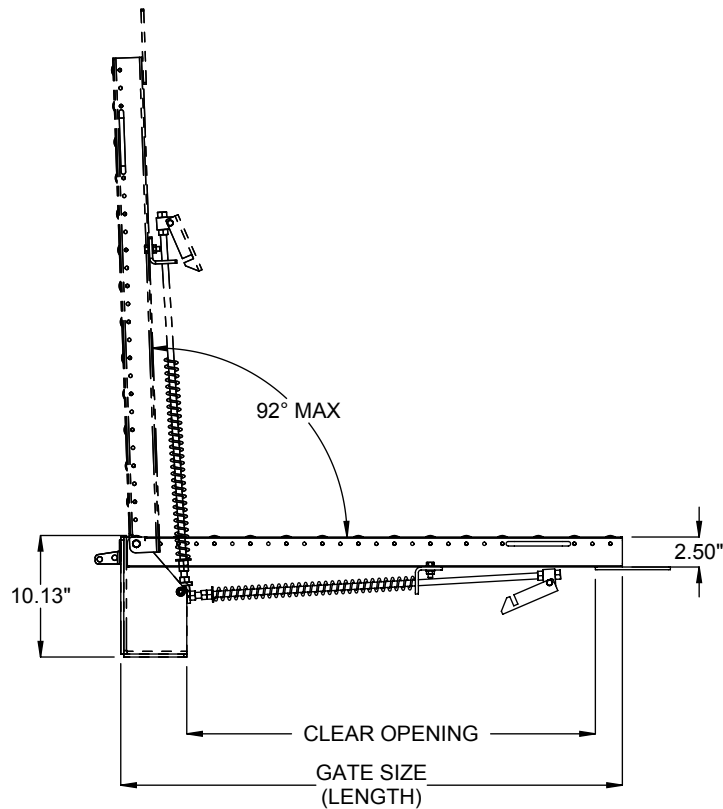
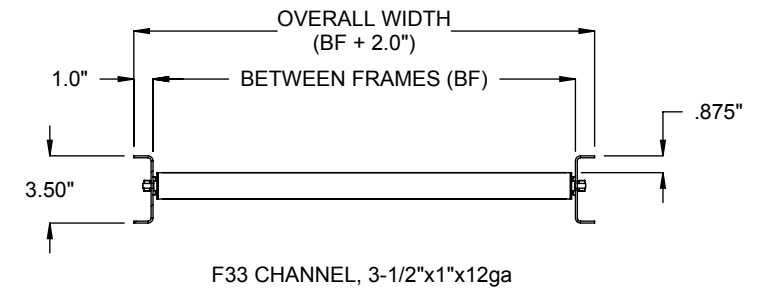


FRAME OPTIONS:



SPECIFICATIONS

BETWEEN FRAMES: 6" - 22"	LENGTH: 36", 42", 48"
ROLLER CENTERS: 1.5", 3", 4.5", 6"	
ROLLERS: 1.375" dia., 18 ga. wall galvanized tubes with 1/4" round cold rolled steel axles, spring retained. <u>Standard</u> A02 bearings are light oil lubricated. 50 lbs. roller capacity.	
FRAMES: Standard F98 set high 2-1/2" x 1" x 12ga formed steel channel with bolted 1-1/8" x 1/8" angle crossies. <u>Optional</u> F33 set low 3-1/2" x 1" x 12ga.	
ROLL COVERS: Standard galvanized tube. <u>Optional</u> roll covers includes Orange Polyurethane, 1/8" wall.	
COUPLINGS: <u>Standard</u> bolted butt coupler, hinge side only.	
FRAME FINISH: Standard finish is OSHA safety blue powder. <u>Optional</u> colors include green, beige, gray, orange, black and yellow.	

Model: HS1418 - Spring Assisted Hinge Gate, 1.375 diameter 18 gauge roller

REV
0

