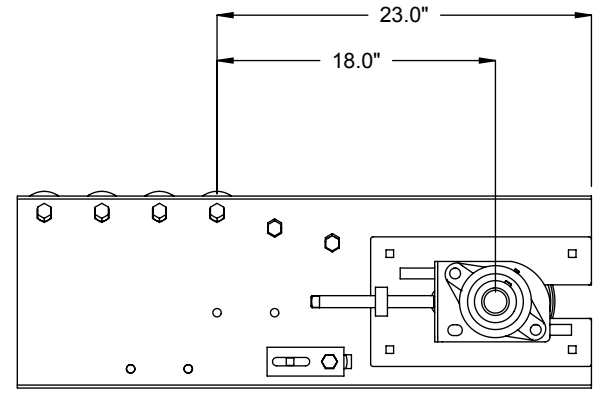


OPTIONAL TROUGH CONSTRUCTION



END VIEW