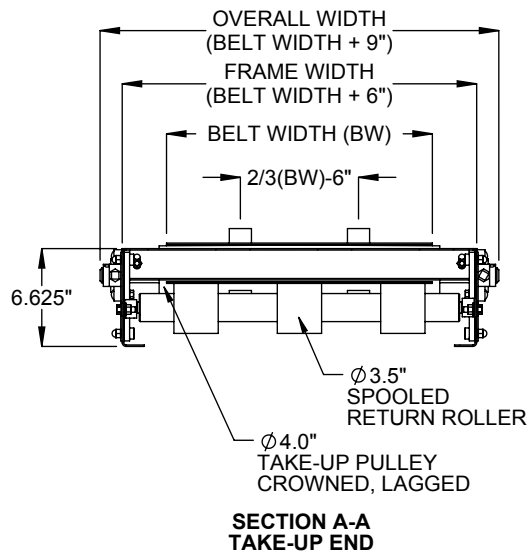


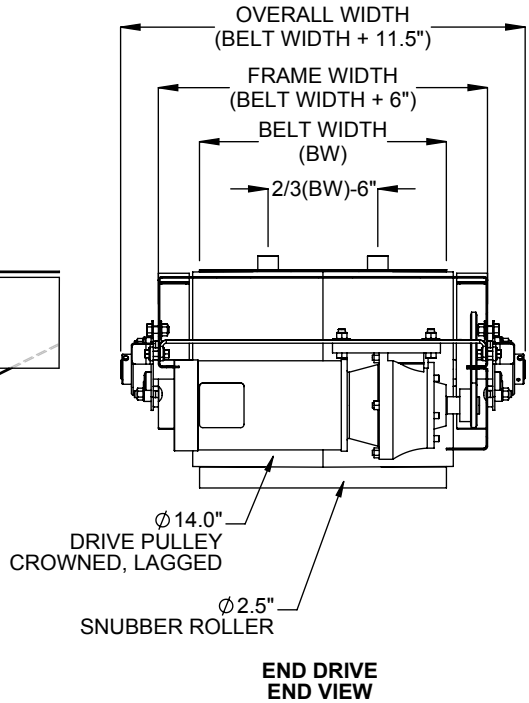
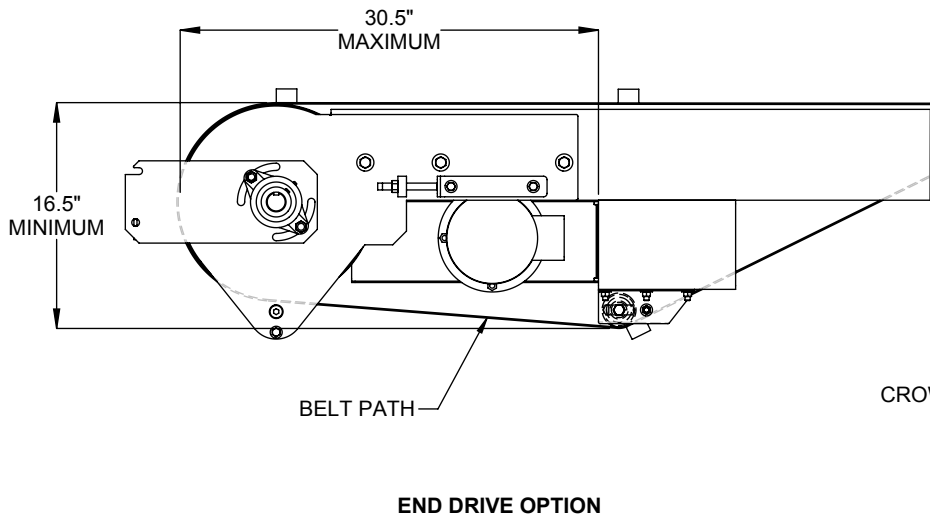
END DRIVE, INTERNAL, RIGHT HAND SIDE



SPECIFICATIONS

BELT WIDTH: 24", 30"	
BEGINNING ELEVATION: 22" - 36"	LENGTH: 96" - 480"
ENDING ELEVATION: 24" - 36"	SPEED: 30, 45, 60 FPM
FLOOR TO FLOOR HEIGHT: 96" - 318"	INCLINED ANGLE: 0° - 45°
BED: 6-5/8" x 1/8" formed one piece steel slider bed.	
BELT: Standard belt is Trackmate Roughtop with clipper lace. <u>Optional</u> belt is Trackmate Longitudinal groove.	
CLEATS: Two 1-1/2" diameter x 1" high hardwood cleats fastened to belt by 5/16" elevator bolts spaced 60".	
DRIVE: <u>Standard</u> drive is End drive, Internal, right hand.	
MOTOR: 3/4 HP through 1-1/2 HP. Energy efficient, inverter duty, and brake motors also available. Voltages include 120/1/60, 230/3/60, 460/3/60, 575/3/60 & DC Voltage.	
SUPPORT CENTERS: <u>Standard</u> supports are floor supports on 10' centers.	
FRAME FINISH: Standard finish is OSHA safety blue powder. <u>Optional</u> colors include green, beige, gray, orange, black and yellow.	

Model: CFTFSB - Cleated Floor To Floor Slider Bed Conveyor



LOAD CAPACITY @ 60 FPM & 40° INCLINED ANGLE (LBS)

HP	WIDTH				
	12"	18"	24"	30"	36"
3/4	190	185	185	180	180
1	255	250	250	245	245
1 1/2	390	385	385	380	380

LOAD CAPACITY @ 30 FPM & 40° INCLINED ANGLE (LBS)

HP	WIDTH				
	12"	18"	24"	30"	36"
3/4	390	385	380	375	370
1	520	515	510	505	500

540 LBS MAXIMUM LOAD DISTRIBUTED ON CONVEYOR

LENGTH OF INCLINE	BED LENGTH	"H" @ 40° INFEED @ 30° DISCHARGE @ 30°	"B" @ 40°
7'-5"	6'	-	-
9'-5"	8'	-	-
11'-5"	10'	-	-
13'-5"	12'	8'-6"	11'-0"
15'-5"	14'	9'-9"	12'-6"
17'-5"	16'	11'-0"	13'-0"
19'-5"	18'	12'-3"	14'-7"
21'-5"	20'	13'-6"	16'-1"
23'-5"	22'	14'-9"	17'-7"
25'-5"	24'	16'-0"	19'-2"
27'-5"	26'	17'-3"	20'-8"
29'-5"	28'	18'-6"	22'-2"
31'-5"	30'	19'-6"	23'-9"
33'-5"	32'	21'-0"	25'-3"
35'-5"	34'	22'-3"	26'-10"
37'-5"	36'	23'-6"	28'-4"
38'-5"	38'	24'-9"	29'-10"
41'-5"	40'	26'-0"	31'-5"
43'-5"	42'	27'-3"	32'-11"
45'-5"	44'	26'-6"	34'-5"

Model: CFTFSB - Cleated Floor To Floor Slider Bed Conveyor

REV	LEWCO
0	