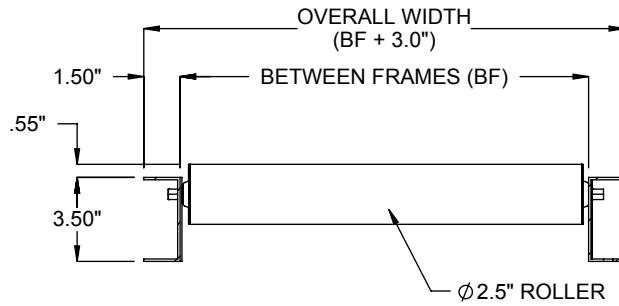
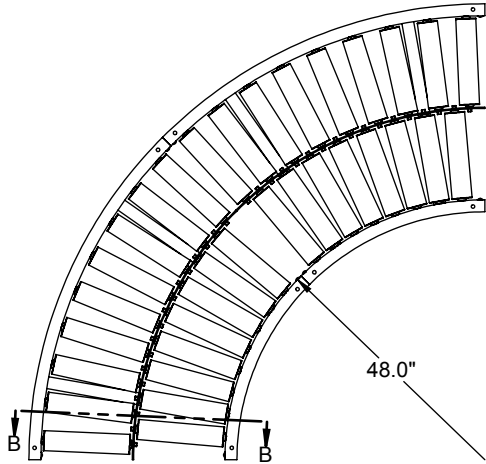
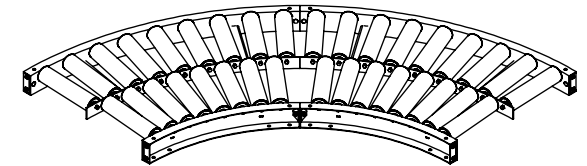
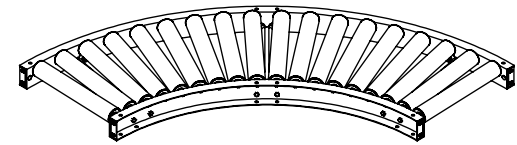


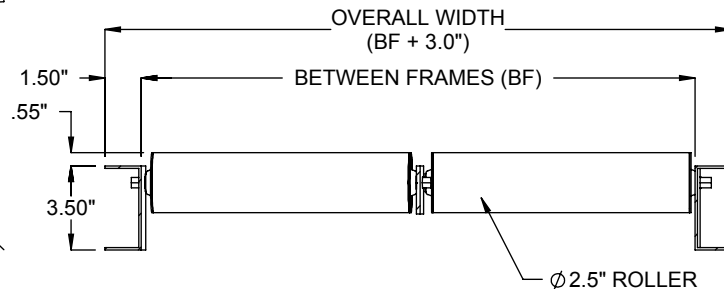
FRAME CONSTRUCTION FOR  
6" - 27" BF



SECTION A-A



FRAME CONSTRUCTION FOR  
OVER 27" BF



SECTION B-B

### SPECIFICATIONS

<b>BETWEEN FRAMES:</b> 6" - 51"	<b>DEGREE:</b> 90°, 45°, 30°
<b>ROLLERS:</b> 2.5" dia., 14ga wall tubes with 7/16" hex cold rolled steel axle, spring retained. Standard A40 bearings are light oil lubricated. <u>Optional</u> A41 bearings are greased. 290 lbs roller capacity.	
<b>FRAMES:</b> Standard FC97 set high 3-1/2" x 1-1/2" x 12ga formed steel channel with bolted 2" x 8ga galvanized angle cross-ties. <u>Optional</u> frame include FC38 channel, 4-1/2" x 1-1/2" x 12ga set low.	
<b>ROLLER SURFACE:</b> <u>Optional</u> Orange Polyurethane, 1/8" wall.	
<b>COUPLINGS:</b> Bolted butt couplers <u>Standard</u> on both ends of channel.	
<b>FRAME FINISH:</b> Standard finish is OSHA safety blue powder. <u>Optional</u> colors include green, beige, gray, orange, black and yellow.	

NOTE: FOR BF 23" AND LARGER, 90 DEGREE CURVE  
SHIPS AS (2) 45 DEGREE CURVES.  
SUPPORT AT SPLICE JOINT IS REQUIRED.

Model: 2514C - Gravity Roller Conveyor, 2.5 diameter 14 gauge roller

REV

1

**LEWCO**