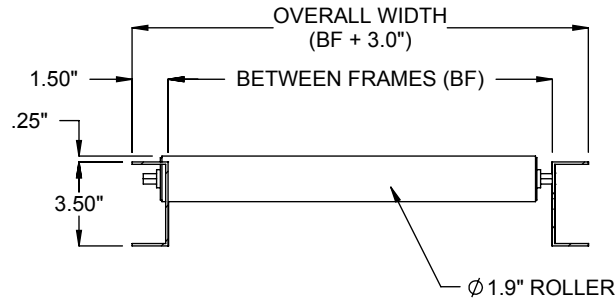
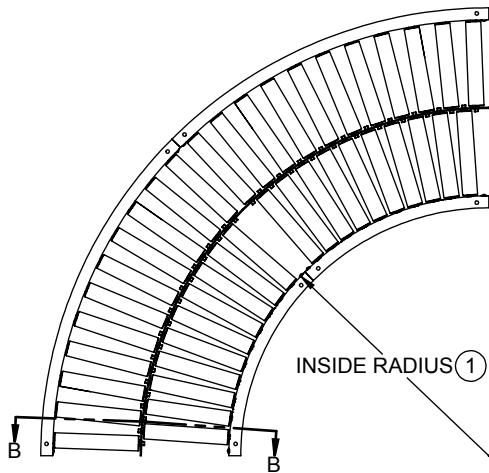
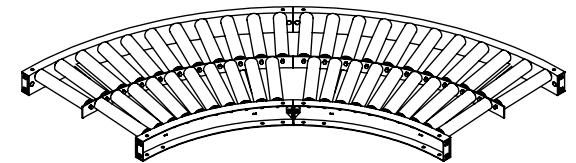
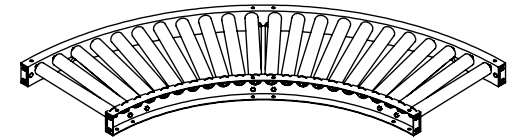


FRAME CONSTRUCTION FOR  
6" - 21" BF



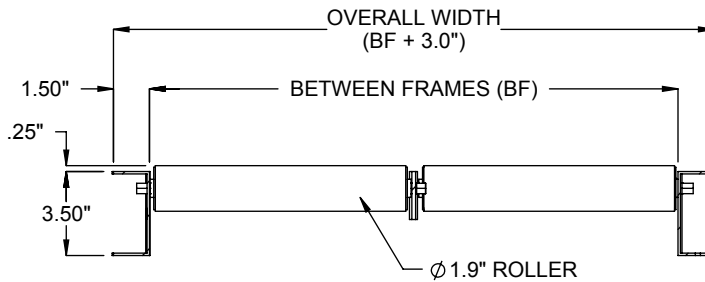
SECTION A-A



FRAME CONSTRUCTION FOR  
OVER 21" BF

NOTE 1: FOR BF 21" - 27", INNER RADIUS = 32.5"  
FOR BF 27" - 51", INNER RADIUS = 48"

NOTE 2: FOR BF 23" AND LARGER, 90 DEGREE  
CURVE SHIPS AS (2) 45 DEGREE CURVES.  
SUPPORT AT SPLICE JOINT IS REQUIRED.



SECTION B-B

### SPECIFICATIONS

**BETWEEN FRAMES:** 6" - 51"

**DEGREE:** 90°, 45°, 30°

**ROLLERS:** 1909 Roller - 9ga wall tube. 1912 Roller - 12ga wall tube. 1916 Roller - 16ga wall tube. All rollers 1.9" dia., with 7/16" hex cold rolled steel axles, spring retained. Standard bearings are light oil lubricated. Optional bearings include combinations of precision, semi-precision, and non-precision construction with light oil or grease packed lubrication.

**FRAMES:** Standard FC97 set high 3-1/2" x 1-1/2" x 12ga formed steel channel with bolted 2" x 8ga galvanized angle cross-ties. Optional frame include FC38 channel, 4-1/2" x 1-1/2" x 12ga set low.

**ROLLER SURFACE:** Optional Orange Polyurethane, 1/8" wall or galvanized tube.

**COUPLINGS:** Bolted butt couplers standard on both ends of channel.

**FRAME FINISH:** Standard finish is OSHA safety blue powder. Optional colors include green, beige, gray, orange, black and yellow.

**Model:** 1909C - Gravity Roller Conveyor, 1.9 diameter 9 gauge roller  
1912C - Gravity Roller Conveyor, 1.9 diameter 12 gauge roller  
1916C - Gravity Roller Conveyor, 1.9 diameter 16 gauge roller

REV

1

